

Front Suspensions:

Camber: -2

Total Toe: +3

Ride Height: 24 mm (As Low As Possible)

Arm Type: #71009 Hard

Tower Type: #71004 Standard

Caster Block Insert: 5*

Kick-Up Angle: #91367 FT 25* Aluminum

Wheel Hex: #71012 Kit + Washer

Notes: #91392 FT Aluminum Steering Set

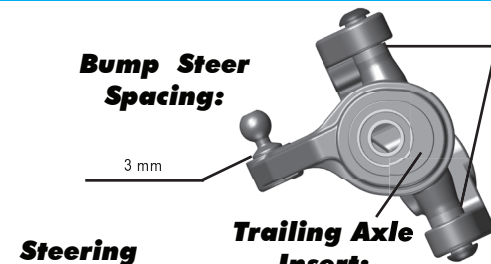
#91675 B6 Caster Blocks

#91677 B6 Steering Blocks

#91512 Chassis Plate, Hard

Walliebuilds Front Roll Bar Kit

Schelle T5M to B6 Ackerman Plates

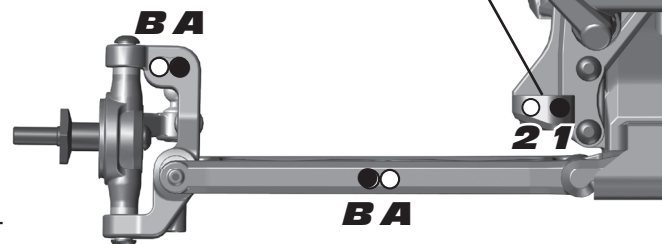
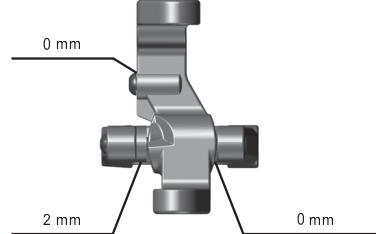


Steering Stop Spacing: 0 mm

Caster Block Spacing: 2 mm 0 mm

Axle Height:
 Up
 Middle
 Down

Ball Stud Spacing: 0 mm



Rear Suspension:

Camber: -2

Ride Height: 22 mm (As Low As Possible)

Wheel Hex: #71014 8.5 mm

Hub Spacing: Forward Middle Back

Notes: #91535 Sway Bar Kit (Green)

#91608 FT Aluminum Arm Mount, +4 mm C Block

Anti Roll Bar:
 None
 Black (1.2mm)
 Silver (1.3mm)
 Gold (1.4mm)

Rear Hub Link Setting:

A C A Up Down

B B A Up Down

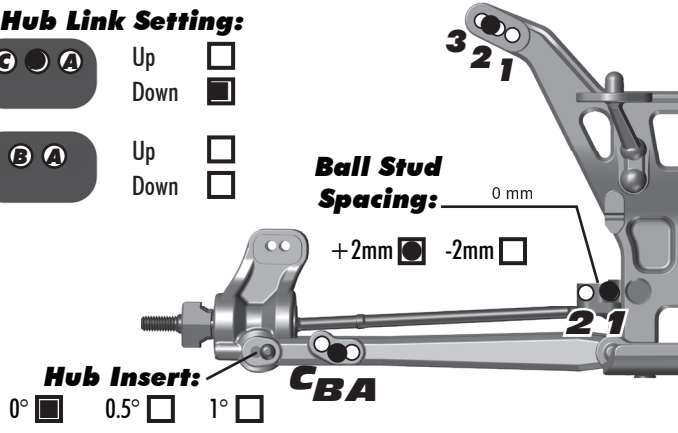


Arm Mount: 2.5+2

Inboard Toe: 3

Anti-Squat: 2

Insert (D): Arrows Out



Electronics:

Radio: Sanwa M12S **Servo:** Reedy RT1508

EPA: Throttle: 100 % **Brake:** 100 %

ESC: Reedy Blackbox 510R

ESC Settings: See Setup Sheet

Motor: Reedy M3

Wind: 6.0 **Timing:** 20*

Pinion: 21 **Spur:** 81

Battery: #27307 Reedy Zapper 5800 mAh

Battery Position: N/A

Drivetrain:

Differential:
3 Gear: **4 Gear:**

Ball Diff: **Gear Diff:**

Notes: 10,000 Fluid

Reds Workshop Laydown Transmission

Slipper Clutch:

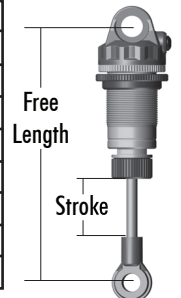
Type: #91175 FT VTS

of Pads: 3

Notes: #91197 & #91198 LCF Pads

Shocks:

	Front	Rear
Piston:	2 x 1.6 Flat	2 x 1.7 Flat
Oil:	40 wt	35 wt
Spring:	TDR330286	Truck White
Limiters:	2	0
Cup Offset:	5 mm	5 mm
Stroke:	23 mm	34.7 mm
Free Length:	81 mm	100 mm
Notes:	#91494 Machined Internals, #91493 X-Rings	



Track Info:

Size: Small Medium Large Extra Large

Surfaces: Dirt Carpet Astroturf Multi Surface

Traction: Low Medium High Very High

Moisture: Dry Damp Wet

Condition: Indoor Outdoor Dusty Hard Packed

Bumpy Grooved Smooth Loamy

Temperature: Ambient: 22C **Track:** 22C

Notes: _____

Tires:

Tires (F/R): Schumacher Stagger Rib / Schumacher Micro Spike

Compound (F/R): Blue / Blue

Insert (F/R): JConcepts Closed Cell + Buggy Foam / JConcepts Open Cell

Wheel (F/R): #7852 Team Associated 12mm Hex / #7852 Team Associated 12mm Hex

Notes: _____

Body & Wing:

Body: JConcepts Finisher

Wing: JConcepts Finisher

Notes: _____

Race Results:

Qualify: 1st **Main:** A

Finish: 1st **TQ:**

Best Lap Time: _____

Vehicle Comments:

Total Vehicle Weight: _____