

# BLACKBOX 1000Z+

## ELECTRONICS SET-UP SHEET

Voltage input:	2S LiPo
On resistance ( $\Omega$ )	0.00014
Continuous current (A)	100
Dimensions (mm)	40.2 x 31.0 x 21.9
Weight w/o wires & fan (g)	40
Motor limit	5.5T
BEC	6.0 / 3A

DRIVER: \_\_\_\_\_ EVENT: \_\_\_\_\_ TRACK: \_\_\_\_\_ DATE: \_\_\_\_\_

VEHICLE: \_\_\_\_\_ CONDITIONS: \_\_\_\_\_ BATTERY: \_\_\_\_\_ TEMP: \_\_\_\_\_

### ESC INFO

CAPACITOR TYPE:

WIRE SIZE:

### BRAKE

DRAG BRAKE:

BRAKE FREQ:

MAX BRAKE STRENGTH:

### THROTTLE

THROTTLE FREQ:

POWER PROFILE:

TIMING:

### MISC CONTROL

OPERATION MODE:

### MOTOR SETTINGS

MOTOR:

WIND:

TIMING:

ROTOR:

FDR/ROLLOUT:

TEMPERATURE:

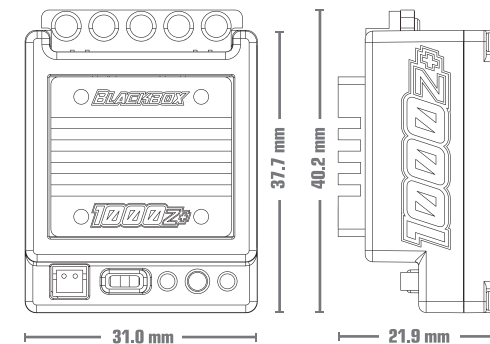
### RADIO SETTINGS

THROTTLE EPA:

BRAKE EPA:

THROTTLE EXPO:

BRAKE EXPO:



### NOTES:

---

---

---

---

---

---

---

---

---

---

---

---

---

---

---

---

---

---

---

---

---

---

---

---

---

---



[www.ReedyPower.com](http://www.ReedyPower.com)

[www.facebook.com/ReedyPower](http://www.facebook.com/ReedyPower)

[twitter.com/ReedyPower](http://twitter.com/ReedyPower)