

BLACKBOX 880R

ELECTRONICS SET-UP SHEET

Voltage input	2S - 4S LiPo
On resistance (Ω)	0.00043
Continuous current (A)	180
Peak current (A)	700
Dimensions (mm)	54 x 37 x 23
Weight w/o wires & fan (g)	45
Motor limit (4S)	2400kV
BEC	6.0-7.4V/5A
Fan	30mm included

DRIVER: Brent Thielke

EVENT: 2026 Dirt Nitro Challenge

TRACK: The Dirt At Perris

DATE: 3/14/2026

VEHICLE: RC8B4.1e

CONDITIONS: Outdoors, dirt, large, low-medium grip

BATTERY: #27617 Reedy Zapper SG7 6600mAh

TEMP: 90F

ESC INFO

FIRMWARE: 11846103

WIRE SIZE: 10 AWG

BRAKE

1A DRAG BRAKE: 4%

1B BRAKE STRGTH: 80%

1C INIT BRAKE: =DragBrake

1D BRAKE FREQ: 4kHz

1E BRAKE PUNCH: Level 3

1F BRAKE MODE: Traditional

MOTOR POWER

EXPERT

4A BT SOFT PWR:

4B BT SOFT RNG:

4C COAST VALUE:

4D TURBO TIMING:

4E TURBO DELAY:

4F SLEW RATE:

4G RELEASE RATE:

STANDARD

5A TIMING LEVEL: Level 0

MISC CONTROL

6A RUN MODE: F/B F/B/R

6B REVERSE PWR: 25% 50% 75% 100%

6C BATT CUTOFF: NONE 3.2V/CELL 3.4V/CELL

6D ESC TEMP CUT: OFF 221F/105C 257F/125C

6E MDT ROTATION: NORMAL REVERSE

6F BEC VOLTAGE: 7.4v

MOTOR SETTINGS

MOTOR: Reedy Sonic 900 DE

KV: #27509 1900kV

TIMING: 0*

ROTOR: #27511

GEARING: 15 / 46

THROTTLE

3A PUNCH CTRL: 14

3B INIT THROTTLE: 0%

3C DRIVE FREQ: 16khz

3D DEADBAND: 6%

3E CURRENT LIMIT: 92%

RADIO SETTINGS

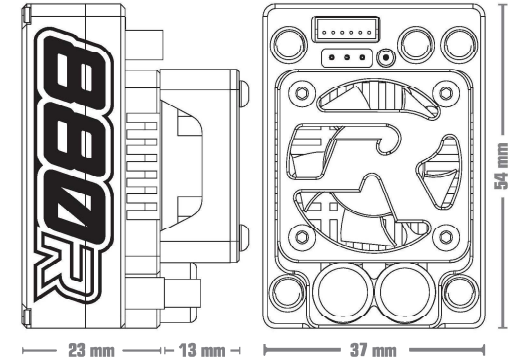
THROTTLE EPA:

BRAKE EPA:

MISCELLANEOUS

SERVO:

CHARGER:



NOTES:

Futaba T10PX Transmitter

Throttle Rate = 100

Brake Rate = 80



www.ReedyPower.com