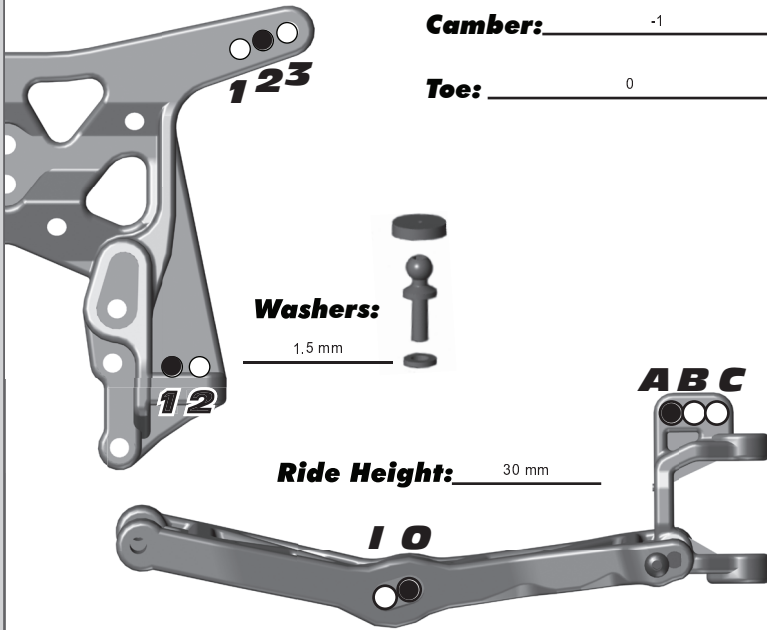




## Front Suspension


**Camber:** \_\_\_\_\_ -1

**Toe:** \_\_\_\_\_ 0

**Washers:**

1.5 mm

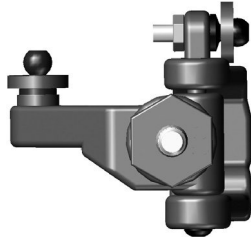
**A B C**
**Ride Height:** \_\_\_\_\_ 30 mm

**I O**

### Steering Rack:


**Front Back**
**Washers:**

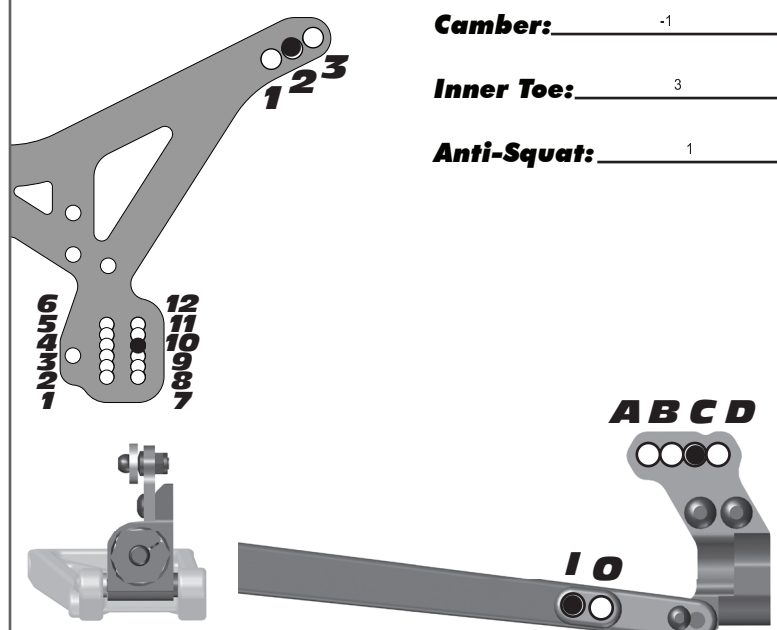
2 mm


**Caster Block Spacing:**  
**Forward**   
**Back** 
**Caster:**

 20°   
 25°   
 30° 

## Rear Suspension

Reset Forms


**Camber:** \_\_\_\_\_ -1

**Inner Toe:** \_\_\_\_\_ 3

**Anti-Squat:** \_\_\_\_\_ 1

**6 5 4 3 2 1**  
**12 11 10 9 8 7**
**A B C D**
**Ride Height:** \_\_\_\_\_ 28 mm

### Wheelbase:

**Long**   
**Medium**   
**Short** 

### Rear Hub Carriers:

 0°   
 0.5°   
 1°   
 1.5° 

### Aluminum Hub Tower:

**A**   
**B**   
**C** 

### Anti Roll Bar:

**None**   
**Black (soft)**   
**Silver (med)**   
**Gold (hard)** 

## Front Shocks

**Spring:** X-Gear Truck Red **Piston:** 2 x 1.5 Flat  
**Shock Oil:** Associated 35wt **Limiter:** 3

## Rear Shocks

**Spring:** X-Gear Truck White **Piston:** 2 x 1.6 Flat  
**Shock Oil:** Associated 30wt **Limiter:** 2

## Electronics / Weight

**Motor & Wind:** Team Orion VST2 6.5 Turn  
**Pinion:** 19 **Spur Gear:** 84  
**Batteries:** Team Orion 5500 Saddle Pack  
**Battery Placement:** Back  
**Ballast Weight:** N/A  
**Chassis Weight:** N/A

**Radio:** Airtronics M12  
**Throttle / Brake e.p.a.:** 100% / 93%  
**Throttle / Brake expo:** 0% / 0%  
**Servo:** Airtronics 94671 **Steering Expo:** 0%  
**ESC:** Team Orion R10.1  
**ESC Settings:** N/A

## Front Tires

**Tire:** JConcepts Dirt Webs  
**Compound:** Red  
**Insert:** AKA Closed Cell **Wheel:** Team Associated

## Rear Tires

**Tire:** JConcepts Dirt Webs  
**Compound:** Red  
**Insert:** AKA Closed Cell **Wheel:** Team Associated

## Drivetrain

**Slipper:** Team Associated VTS  
**2 Pads**  **3 Pads**  **4 Pads**   
**Notes:** \_\_\_\_\_

## Differentials

**Ball:**   
**Gear:**  Tight  
**Notes:** \_\_\_\_\_

## Other

**Body Type:** JConcepts Finisher Mid  
**Wing Type:** JConcepts **Wing Angle:** \_\_\_\_\_

## Race and Vehicle Comments

**Qualify:** 1 **Main:** A **Finish:** 2 **TQ:**   
**Comments:** Team Associated Aluminum Steering Rack; Carbon Fiber Side Rails; JConcepts Narrow Rear Inner Pivot; T4.1 Front Shock Tower and A-Arms; Carbon Front & Rear A-Arms; Carbon Caster Blocks  
 Factory Team Aluminum Rear Hubs

## Track Info

<b>Surface:</b>	<b>Traction:</b>	<b>Conditions:</b>	<b>Moisture:</b>
<b>Dirt</b> <input checked="" type="checkbox"/>	<b>Low</b> <input type="checkbox"/>	<b>Grooved</b> <input checked="" type="checkbox"/>	<b>Wet</b> <input type="checkbox"/>
<b>Carpet</b> <input type="checkbox"/>	<b>Med</b> <input checked="" type="checkbox"/>	<b>Dusty</b> <input checked="" type="checkbox"/>	<b>Damp</b> <input checked="" type="checkbox"/>
<b>Astro</b> <input type="checkbox"/>	<b>High</b> <input type="checkbox"/>	<b>Smooth</b> <input type="checkbox"/>	<b>Dry</b> <input type="checkbox"/>
<b>Multi</b> <input type="checkbox"/>		<b>Bumpy</b> <input checked="" type="checkbox"/>	
		<b>Hard Pack</b> <input checked="" type="checkbox"/>	
		<b>Loamy</b> <input type="checkbox"/>	