

# BLACKBOX 850R

## ELECTRONICS SET-UP SHEET

Voltage input:	2S - 6S LiPo
On resistance (Ω)	0.36
Continuous current (A)	150
Dimensions (mm)	56 x 46 x 37
Weight w/o wires & fan (g)	131
Motor limit	4S - 3000kV, 6S - 2400kV
BEC	6.0 - 7.4V / 5A

DRIVER: Spencer Rivkin      EVENT: 2018 Dirt Nitro Challenge      TRACK: Fear Farm      DATE: 2/24/2018

VEHICLE: RC8B3.1e      CONDITIONS: Outdoors, dirt, large, dusty, rough      BATTERY: #27328 Reedy Zapper SG 6400 mAh      TEMP: 50F

### ESC INFO

FIRMWARE:

WIRE SIZE:

### MOTOR POWER

4A TIMING LEVEL:

### BRAKE

1A DRAG BRAKE:

1B BRAKE STRGTH:

1C INIT BRAKE:

1D BRAKE FREQ:

1E BRAKE PUNCH:

### MISC CONTROL

5A RUN MODE:  F/B    F/B/R

5B REVERSE PWR:  25%    50%    75%    100%

5C BATT CUTOFF:  NONE    3.2V/CELL    3.4V/CELL

5D ESC TEMP CUT:  OFF    212F/100C

5E MOT ROTATION:  NORMAL    REVERSE

5F BEC VOLTAGE:  6.0V    7.4V

### THROTTLE

3A PUNCH CTRL:

3B DRIVE FREQ:

3C DEAD BAND:

### RADIO SETTINGS

THROTTLE EPA:

BRAKE EPA:

THROTTLE EXPO:

BRAKE EXPO:

### MOTOR SETTINGS

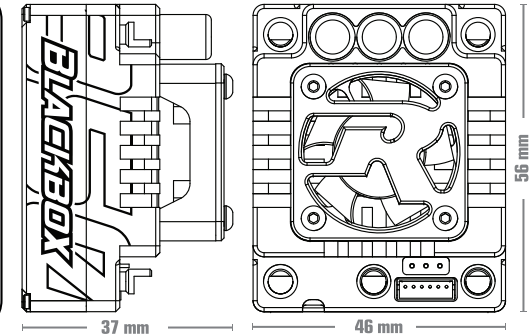
MOTOR:

KV RATING:

ROTOR:

FDR/ROLLOUT:

TEMPERATURE:



NOTES:



[twitter.com/ReedyPower](https://twitter.com/ReedyPower)

[www.ReedyPower.com](http://www.ReedyPower.com)

[instagram.com/ReedyPower](https://www.instagram.com/ReedyPower)

[www.facebook.com/ReedyPower](https://www.facebook.com/ReedyPower)

