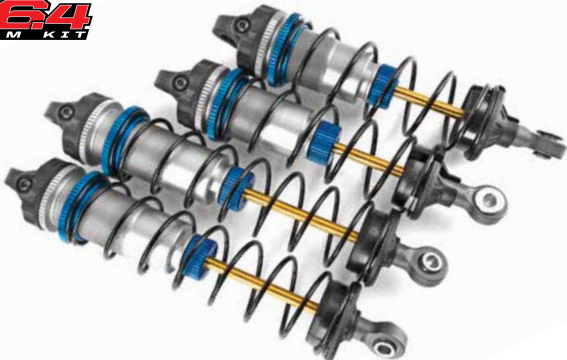




RC10T6.2 vs. RC10T6.4 Comparison



Updated 13mm shocks, pistons and springs.
T6.4 offers: 13mm shocks.
T6.2 offers: 12mm shocks.



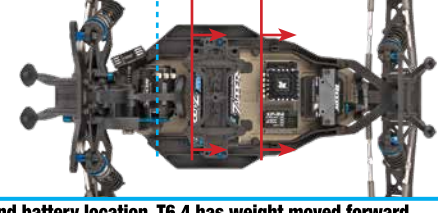
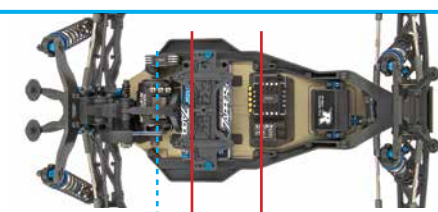
New 22.5 kickup and bulkhead options.
T6.4 offers: 20.0, 22.5 and 25.0.
T6.2 offers: 25.0 and 30.0.



Updated CVA driveshafts, C and D mounts.
T6.4 offers: 92.5mm shafts and wide C and D mounts.
T6.2 offers: 91mm shafts and narrow C and D mounts.



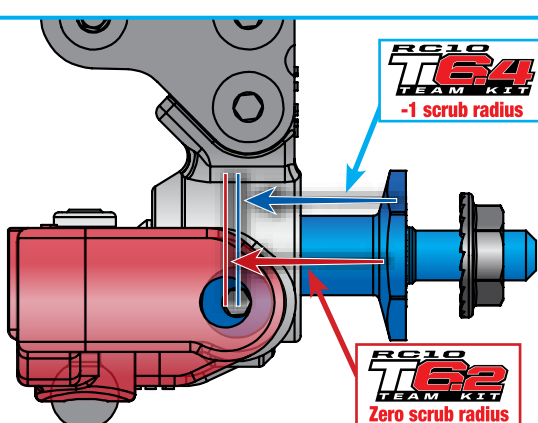
Updated top plate and ballstud mount



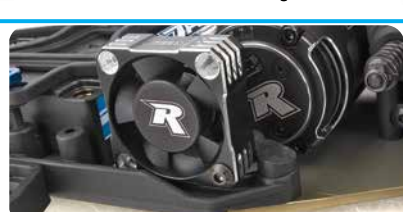
ESC tray and battery location. T6.4 has weight moved forward.



New adjustable height steering system.
T6.2 is not adjustable



-1 caster/steering blocks move the pivot closer to the wheel center for smoother steering



Updated fan mounts and fan location