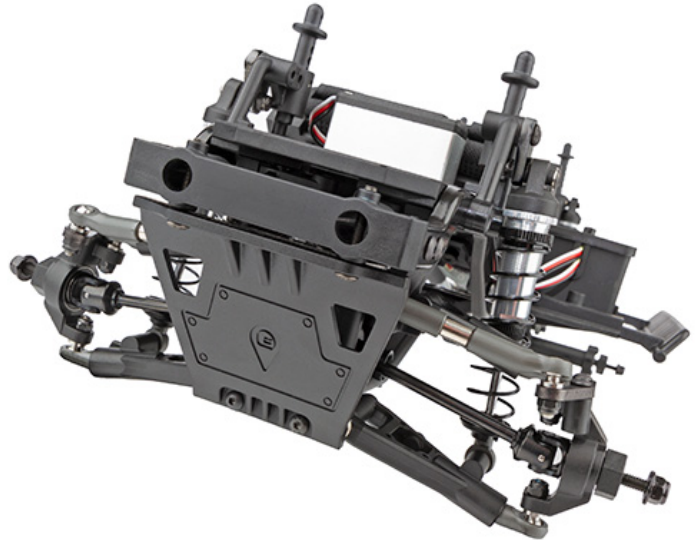


For Immediate Release: February 3, 2020

NEW! Element RC IFS Conversion Kit

No ifs, ands, or buts about it. When it comes to scale realism and modern four-wheel-drive vehicles, an independent front suspension is the way to go.

Designed as a direct bolt-on for the Element RC Enduro chassis, this Independent Front Suspension (IFS) Conversion Kit is the perfect scale accessory. It features injection-molded upper and lower suspension arms with optimized ball cups for fluid suspension articulation. The high-clearance steering incorporates an aluminum swing rack and steering plates for durability and a more precise feel. Built with durability and performance in mind, the Element RC IFS Conversion Kit will make your Enduro stand out on the trail.



Features

- Metal servo horn
- Aluminum steering plates and rack
- Steel hinge pin brace
- 12mm wheel hexes
- CMS (Chassis Mounted Servo)
- Durable front skid plates
- Integrated servo winch mount
- Universal front drive shafts
- Metal input pinion gear
- Metal ring gear
- Heavy-duty 5mm diameter steel links
- Metal ball bearings
- Fits Axial SCX10, SCX10ii, and SSD Trail King with a few additional parts

IFS Conversion Kit shown with items NOT included in box. Wheels, tires, shocks, Enduro chassis, electronics, and pinion gear required.

| UPC | Part No. | Description | MAP | MSRP | Available |
|--------------|----------|-------------------------------|---------|----------|---------------|
| 784695401037 | #40103 | Element RC IFS Conversion Kit | \$99.99 | \$139.99 | February 2020 |

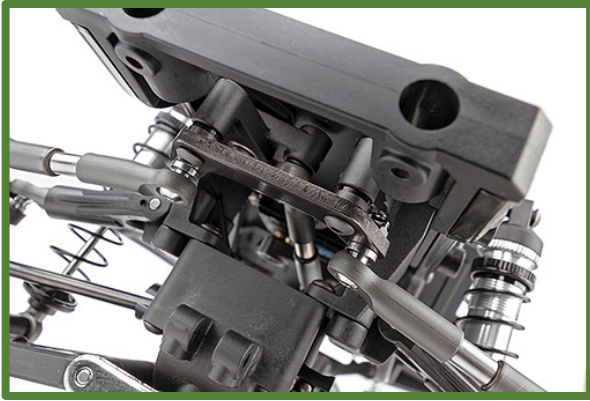


Watch the video!

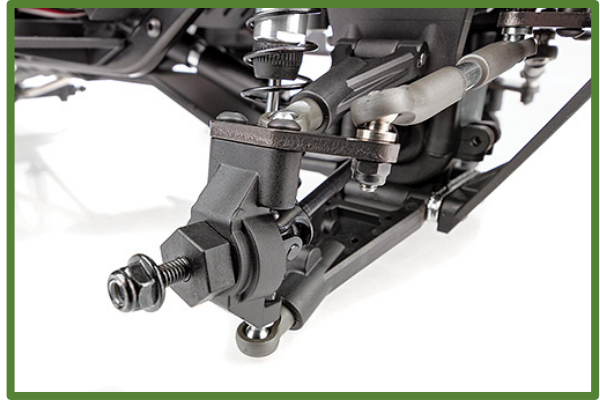
<https://youtu.be/UOtN1pBw2HA>

More information on the next 3 pages.

Features



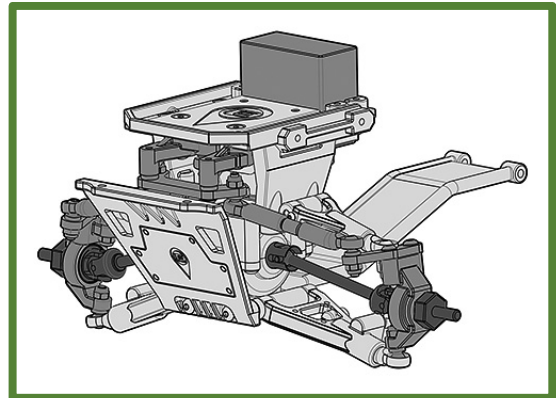
Steering rack: The included aluminum swing rack and steering plates give the IFS suspension a precise, solid feel.



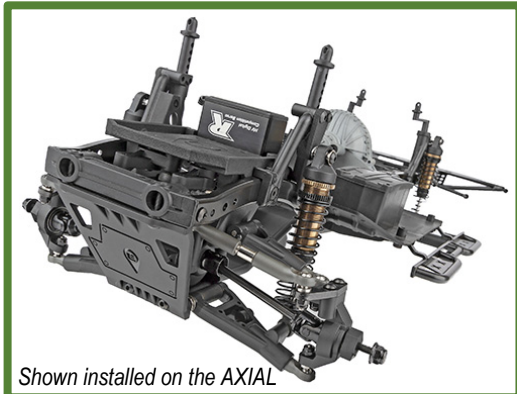
Steering blocks: 100% compatible with steering blocks from previous Enduro chassis and allows up to 45° of steering.



Suspension: Injection-molded upper and lower suspension arms and optimized ball cups provide maximum suspension articulation.



IFS conversion for Enduro chassis: The Independent Front Suspension conversion kit is a direct bolt-on accessory for all Element RC Enduro chassis. Whether it's an RTR or Builder's Kit, the IFS conversion is perfect when building a modern rig.



The IFS Conversion can be easily installed on the Axial SCX10, SCX10ii, and SSD Trail King with a few additional parts. These parts can be printed at home via FREE-to-download stl files (<http://bit.ly/axial-download-files-info>) OR purchased from our Shapeways store.



No IFS, ands, or buts about it; Your Journey Begins Here!

Element RC IFS Conversion Kit New Parts

| UPC | Part No. | Description | MAP | MSRP | Available |
|--------------|----------|--|---------|---------|---------------|
| 784695046771 | 4677 | Set Screws, M4x16mm [optional] | \$3.99 | \$3.99 | February 2020 |
| 784695422001 | 42200 | Enduro IFS Gearbox | \$6.99 | \$6.99 | February 2020 |
| 784695422018 | 42201 | Enduro IFS Steering Bellcranks | \$5.99 | \$5.99 | February 2020 |
| 784695422025 | 42202 | Enduro IFS Suspension Arms | \$9.99 | \$9.99 | February 2020 |
| 784695422032 | 42203 | Enduro IFS Gearbox and Servo Mounts Set | \$14.99 | \$14.99 | February 2020 |
| 784695422049 | 42204 | Enduro IFS Skid Plates | \$10.99 | \$10.99 | February 2020 |
| 784695422063 | 42206 | Enduro IFS Steering Bellcranks, hard [optional] | \$6.99 | \$6.99 | February 2020 |
| 784695422070 | 42207 | Enduro IFS Suspension Arms, hard [optional] | \$10.99 | \$10.99 | February 2020 |
| 784695422087 | 42208 | Enduro IFS Gearbox and Servo Mounts Set, hard [optional] | \$13.99 | \$15.59 | February 2020 |
| 784695422094 | 42209 | Enduro IFS Skid Plates, hard [optional] | \$10.99 | \$10.99 | February 2020 |
| 784695422148 | 42214 | Enduro IFS Links | \$9.99 | \$9.99 | February 2020 |
| 784695422155 | 42215 | Enduro IFS Servo Horn | \$8.99 | \$8.99 | February 2020 |
| 784695422162 | 42216 | Enduro IFS Ballstuds, 5.8mm | \$17.89 | \$20.99 | February 2020 |
| 784695422179 | 42217 | Enduro IFS Steering Rack | \$12.99 | \$12.99 | February 2020 |
| 784695422186 | 42218 | Enduro IFS Steering Plates | \$7.99 | \$7.99 | February 2020 |
| 784695422254 | 42225 | Enduro IFS Suspension Arm Shock Mounts | \$7.99 | \$7.99 | February 2020 |
| 784695422261 | 42226 | Enduro IFS Outdrives | \$13.99 | \$13.99 | February 2020 |
| 784695422278 | 42227 | Enduro IFS Universals, 55mm | \$38.29 | \$44.99 | February 2020 |
| 784695422285 | 42228 | Enduro IFS Bulkhead Brace | \$5.99 | \$5.99 | February 2020 |
| 784695422292 | 42229 | Enduro IFS Hinge Pins | \$7.99 | \$7.99 | February 2020 |
| 784695422308 | 42230 | Enduro IFS Shock Springs, black, L63mm | \$5.99 | \$5.99 | February 2020 |
| 784695915688 | 91568 | Bearings, 4x8x3mm | \$8.99 | \$8.99 | February 2020 |

Download all zipped photos here: <http://bit.ly/2U4ok7K> (8.02 MB). Link is active for 30 days.

Element RC IFS Conversion Kit

The IFS Conversion Kit fits these vehicles



#40100 Enduro Trail Truck, Sendero RTR

#40100C Enduro Trail Truck, Sendero RTR LiPo Combo



#40101 Enduro Trail Truck, Trailwalker RTR

#40101C Enduro Trail Truck, Trailwalker RTR Combo



#40102 Enduro Trail Truck, Builders Kit

| Part No. | Description | MAP | MSRP | Available |
|----------|--|----------|----------|--------------------------|
| #40100 | Enduro Trail Truck, Sendero RTR | \$349.99 | \$509.99 | BUY NOW! |
| #40101 | Enduro Trail Truck, Trailwalker RTR | \$299.99 | \$509.99 | BUY NOW! |
| #40100C | Enduro Trail Truck, Sendero RTR LiPo Combo | \$409.99 | \$599.99 | BUY NOW! |
| #40101C | Enduro Trail Truck, Trailwalker RTR Combo | \$349.99 | \$599.99 | BUY NOW! |
| #40102 | Enduro Trail Truck, Builders Kit | \$239.99 | \$349.99 | BUY NOW! |



21062 Bake Pkwy
Lake Forest CA 92630
www.AssociatedElectrics.com

