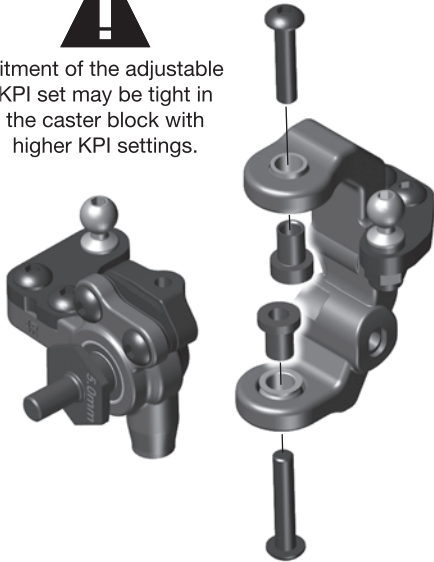
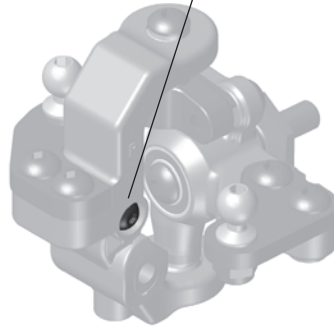


**!**  
Fitment of the adjustable KPI set may be tight in the caster block with higher KPI settings.



**!**  
Steering stop screw (31520) may be required with higher KPI settings.



KPI Setting Chart			
KPI Steps	Steering Block		KPI Shim Thickness
	Kit	Adjustable	
1	KPI 1		0mm
1.5		✓	0.5mm
2	KPI 2		1.0mm
2.5		✓	1.5mm
3	KPI 3		2.0mm
3.5		✓	2.5mm
4		✓	3.0mm
4.5		✓	3.5mm
5		✓	4.0mm