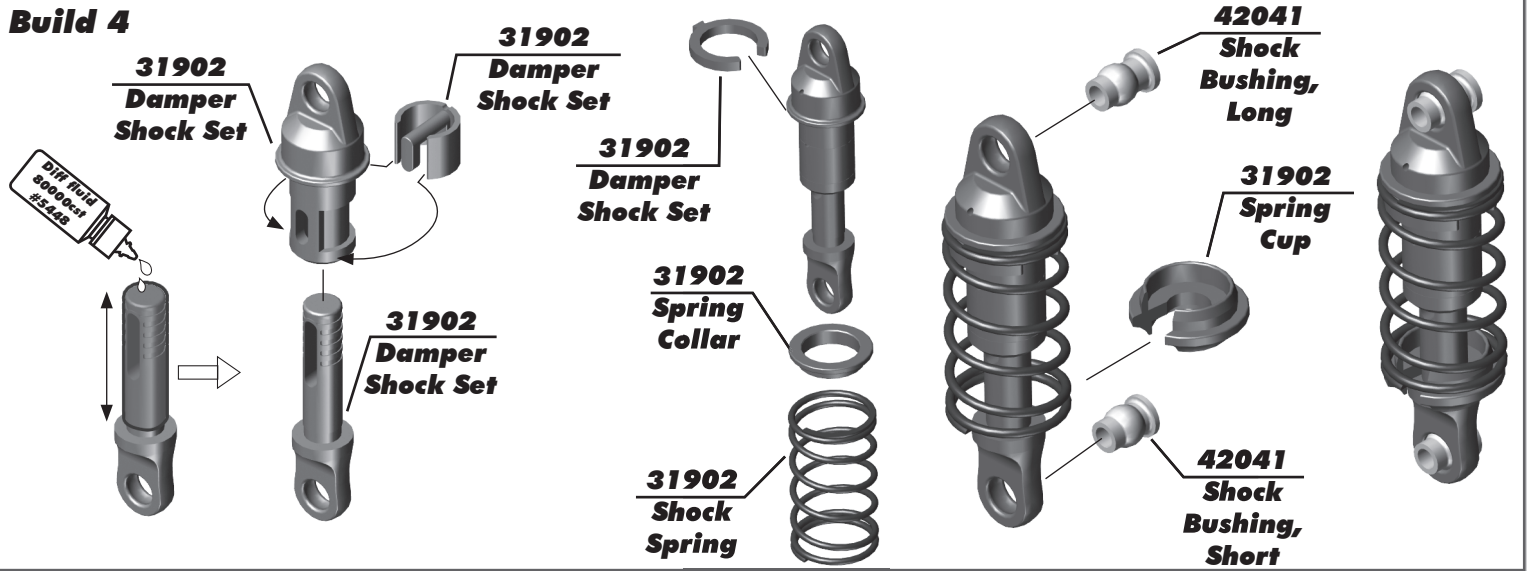


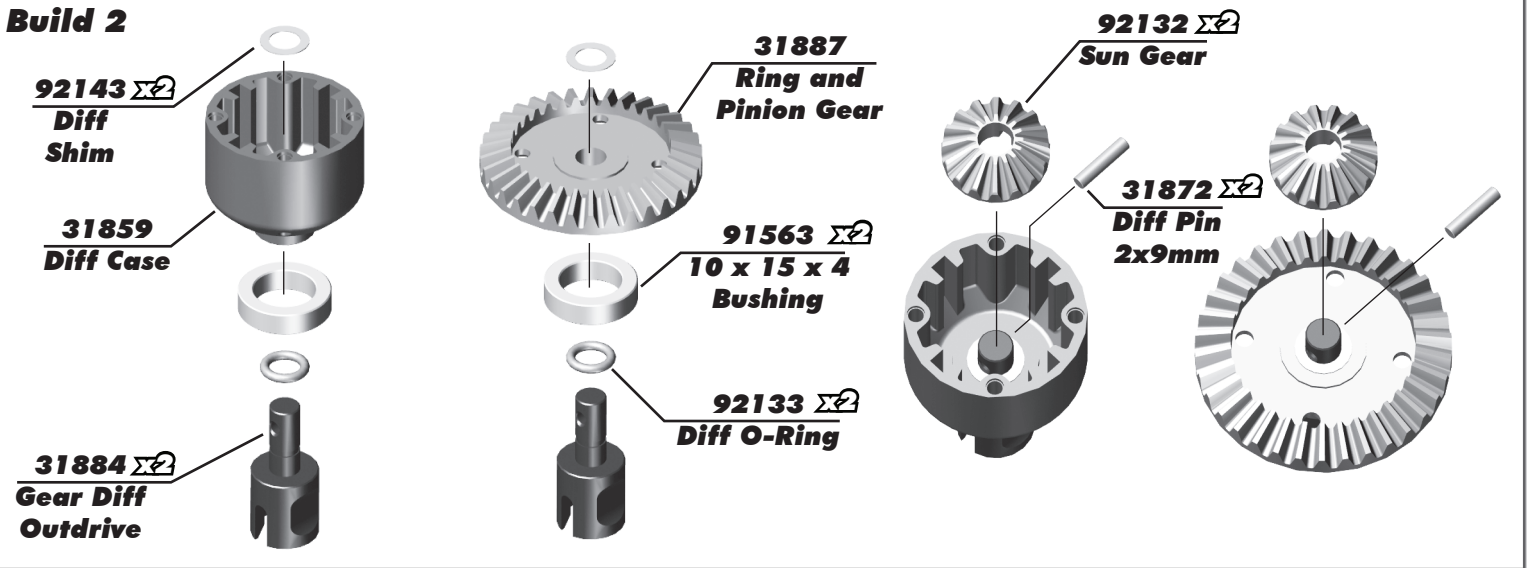
**:: Shocks Build**

**Build 4**

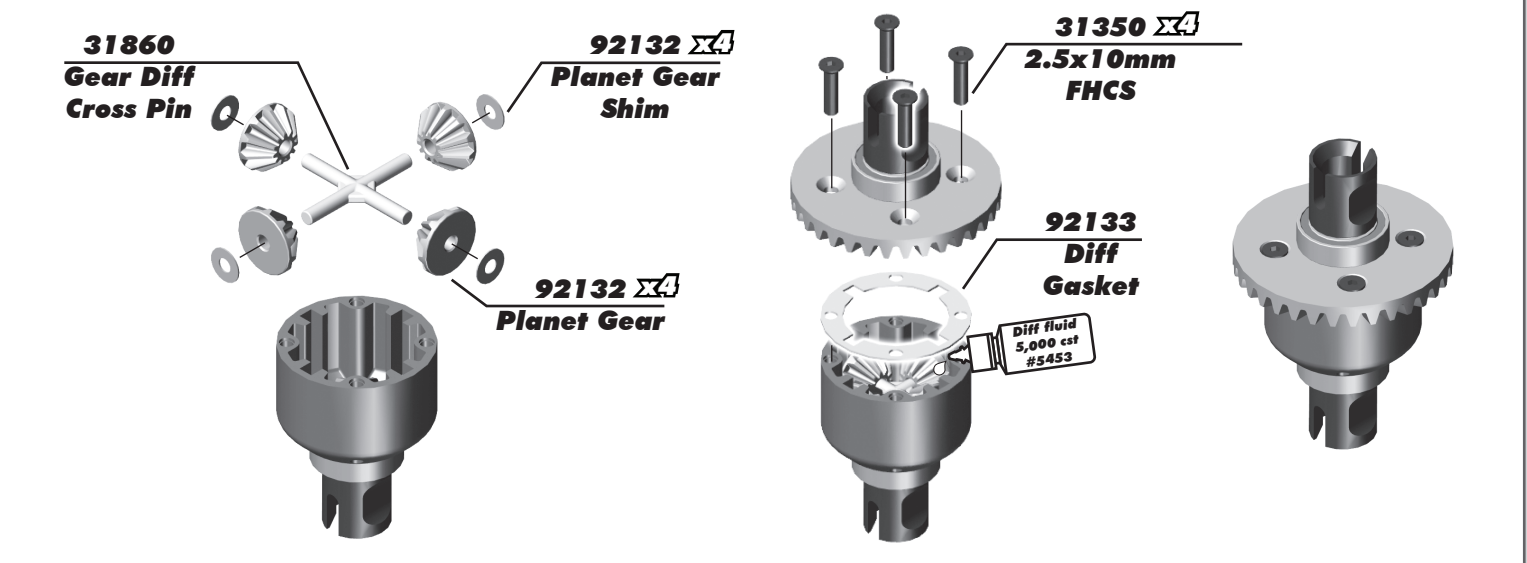


**:: Gear Diff Build - Step 1**

**Build 2**



**:: Gear Diff Build - Step 2**



# FIND IT ON ASSOCIATEDELECTRICS.COM

## CARS & TRUCKS



### Vehicle Spare Parts GO TO:

[AssociatedElectrics.com](#) →  
[Team Associated tab](#) →  
[Cars & Trucks](#) →  
[Scroll to your vehicle](#) →  
[Parts & Accessories link](#)

## SETUP SHEETS & MANUALS



### Setups and Manuals GO TO:

[AssociatedElectrics.com](#) →  
[Team Associated tab](#) →  
[Manuals & Setups](#) →  
[Scroll to your vehicle](#)

## A-TEAM APPS



### Tuning Guides & Tips GO TO:

[AssociatedElectrics.com](#) →  
[Support](#) →  
[A-Team Apps](#)



**Associated Electrics, Inc.**

**21062 Bake Parkway Lake Forest, CA 92630 USA**

**call: (949) 544-7500 - fax: (949) 544-7501**

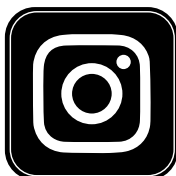
**Check out the following web sites for all of our kits, current products,  
new releases, setup help, tips, and racing info!**

**[www.AssociatedElectrics.com](http://www.AssociatedElectrics.com)**

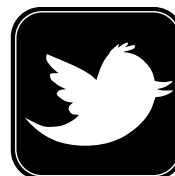
## FOLLOW US ON SOCIAL MEDIA



**TeamAssociated  
ReedyPower**



**@TeamAssociatedRC  
@ReedyPower**



**@Team\_Associated  
@ReedyPower**