

#91704 Bulkhead / Gearbox Shim Supplement

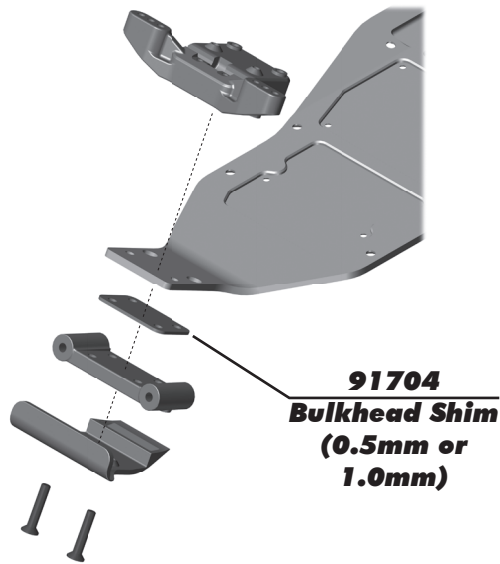
:: Bulkhead / Gearbox Shims



Use #91704 Bulkhead Shims to increase steering and to give the vehicle a more aggressive feel.



Use #91704 Gearbox Shims when a low ride height is needed, and/or when running on high traction tracks.



91704 Chassis Brace Shim, Rear

91704 Gearbox Shim, Small, Rear

