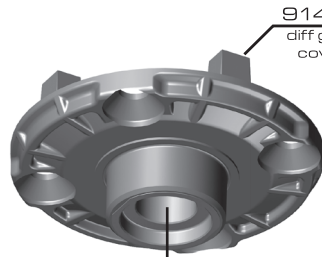
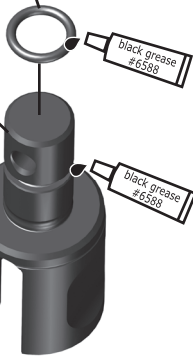


#91461 Gear Diff Build Supplement

:: Gear Differential

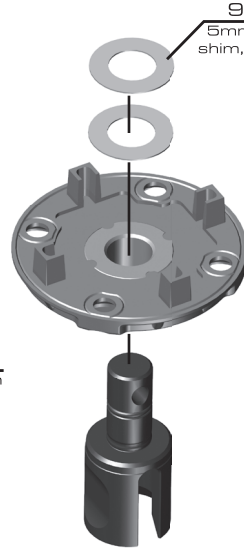
91465
3.6mm x 0.7mm
o-ring

91465
outdrive cup

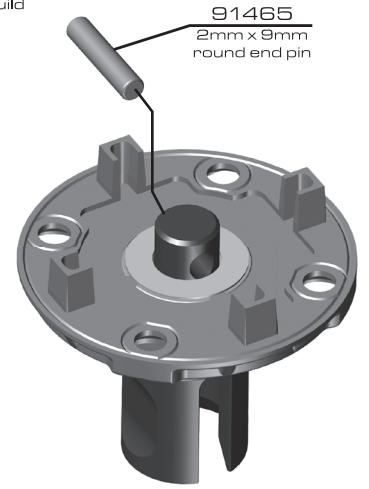


91462
diff gear
cover

91465
4.7m x 1.42mm
o-ring



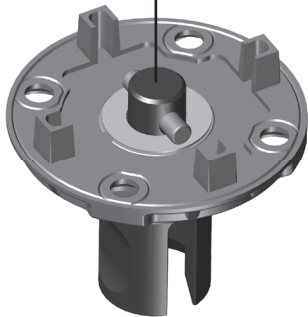
91463 x2
5mm x 14mm
shim, diff rebuild



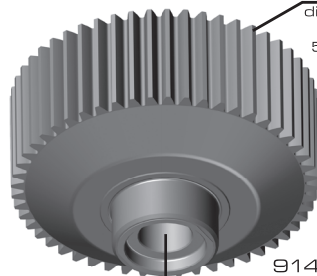
91465
2mm x 9mm
round end pin

:: Gear Differential (cont.)

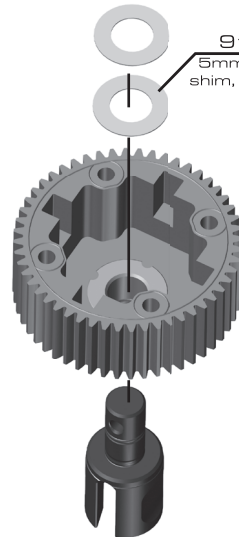
91463
sun gear



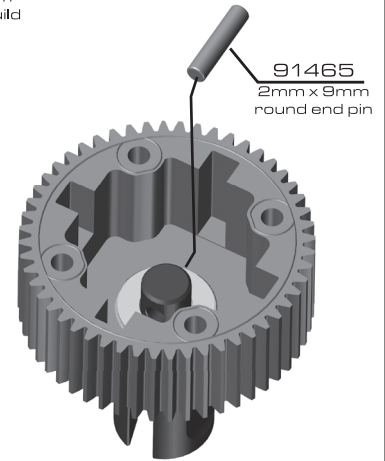
91462
differential
gear
52T, 48P



91465
4.7m x 1.42mm
o-ring



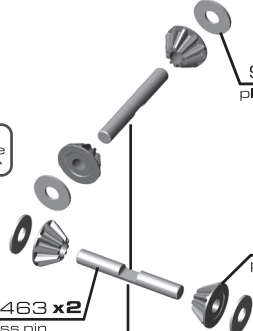
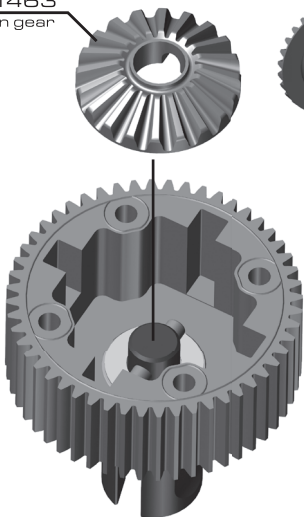
91463 x2
5mm x 14mm
shim, diff rebuild



91465
2mm x 9mm
round end pin

:: Gear Differential (cont.)

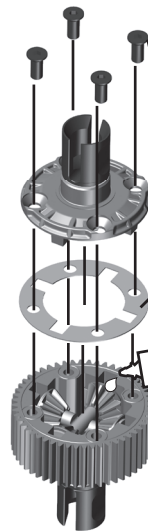
91463
sun gear



91463 x4
planet gear
shims

91463 x4
planet gear

91463 x2
cross pin



* Use the 1.5mm allen wrench to tighten the 2.5x6mm fhrs on the diff gear cover

4675 x4
2.5 x 6mm
fhrs

91462
diff gear
seal

#5452
300cc
diff fluid

* Fill diff to top of cross pins!



* Ensure free outdrive rotation before installation!