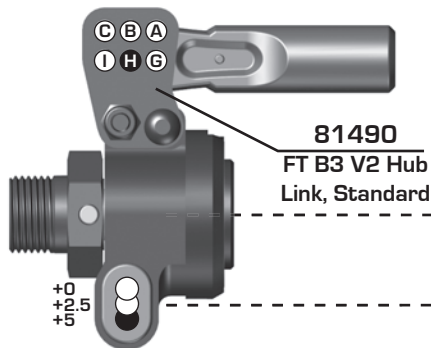


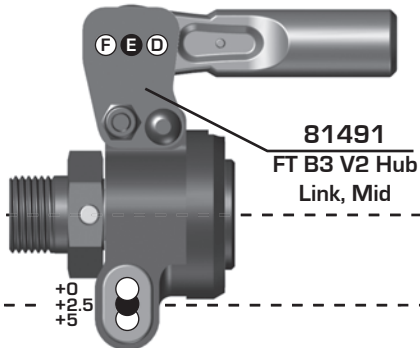
:: B3 V2 Rear Hub

Recommended positions for various axle heights

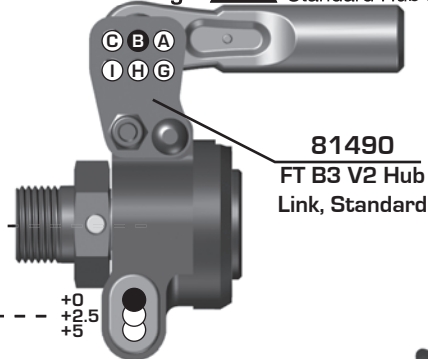
High Axle Height  *#81400 5mm straight rod end required for lower row of Standard Hub Link.



Mid Axle Height  *#81400 5mm straight rod end required for Mid Hub Link.

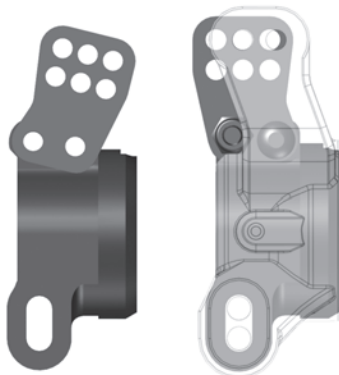


Low Axle Height  *Kit angled rod end required for Standard Hub Link.



Overlay of stock RCB3 rear hub

 Incorrect installation of tower!



Installation Tips

1. Install the two hub tower screws from opposite sides for easier installation and nut driver clearance.
2. Hub towers should only be installed in one direction.
3. There is no wrong hub tower or axle height insert setup!
4. Hubs are symmetric; there is no specific left or right parts. Make sure to install your drive shafts in the same orientation if they aren't new.

