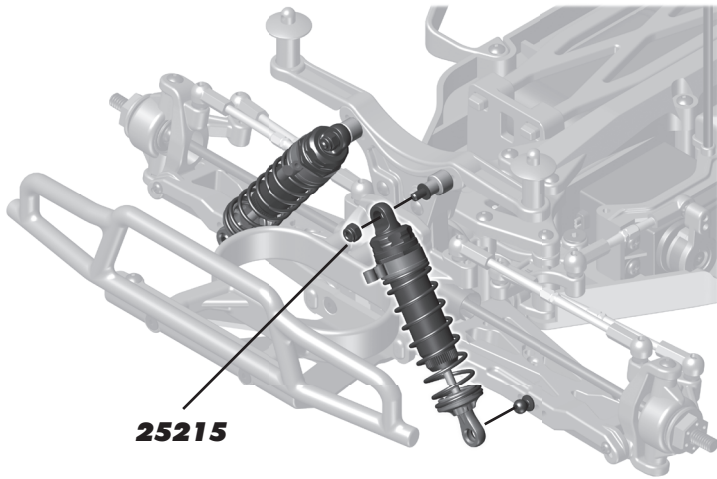


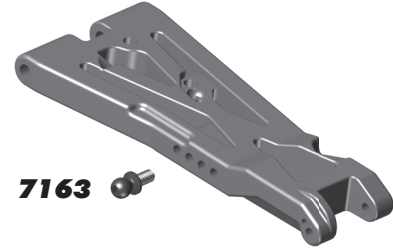
# #7263 Updating to 16mm Shocks

## :: Shock and Hardware Removal

### 1. Remove Shocks

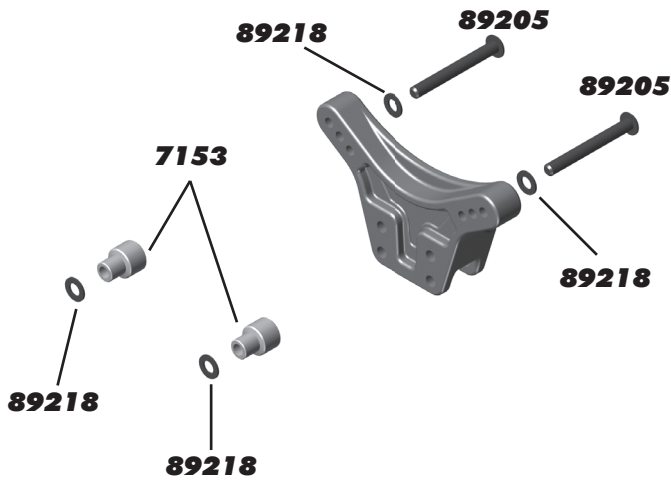


### 2. Remove Hardware



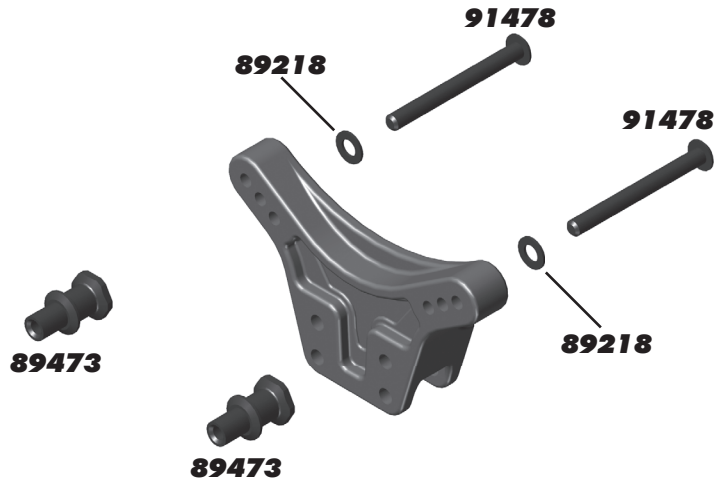
## :: Shock and Hardware Removal

### 3. Remove Hardware



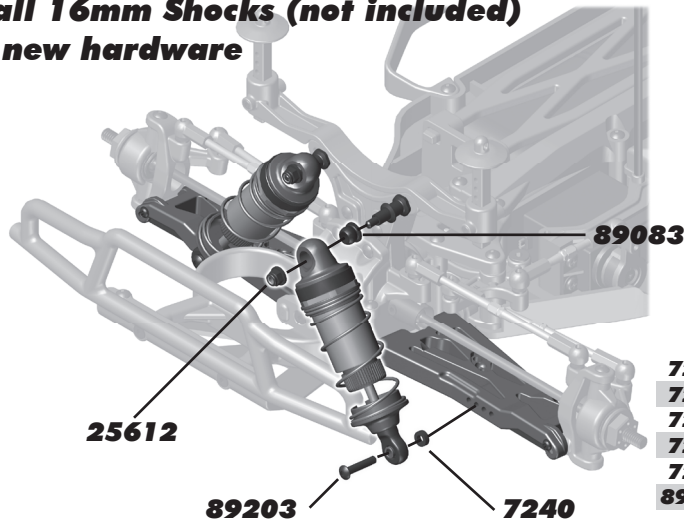
## :: Shock and Hardware Install

### 4. Install New Hardware



## :: Shock and Hardware Install

### 5. Install 16mm Shocks (not included) and new hardware



If you are upgrading from a small bore shock to the larger #7262 16mm shock, you will need #7263 16mm Shock Kit Mounting Hardware and 16mm Shock Springs. (Parts for steps 3-4 are found in #7263.)

7232	16mm Shock Springs - White, 3.0lbs	Pr.
7233	16mm Shock Springs - Nickel, 3.8lbs	Pr.
7234	16mm Shock Springs - Black, 4.6lbs	Pr.
7261	16x25mm Threaded Shock Body (Aluminum)	2
7263	16mm Shock Kit Mounting Hardware (for 4 shocks)	1
89335	16mm Shock Cap, Aluminum	2