



**:: Anti-Roll Bar Build - Bag 11 - Step 1**


**71086**  
6 x 12.5mm  
Rod End



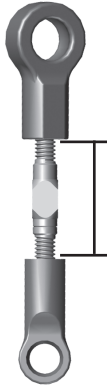
**71091**  
3x28mm  
Turnbuckle



**71086**  
4.3 x 12.5mm  
Rod End

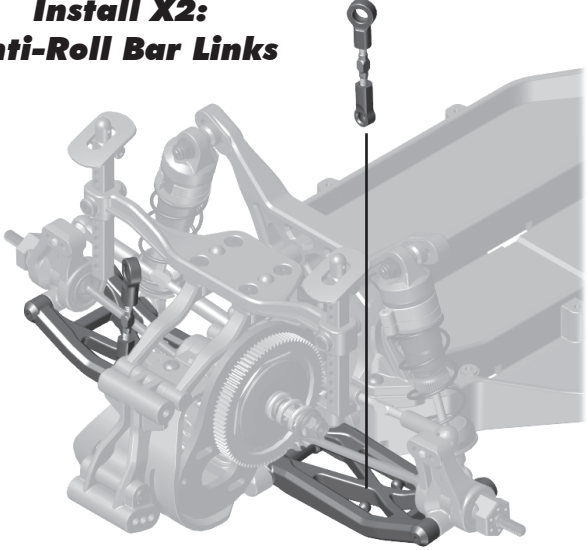


**BUILD X2:**  
**Anti-Roll Bar Links**



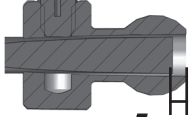
15.00mm

**Install X2:**  
**Anti-Roll Bar Links**




**:: Anti-Roll Bar Build - Bag 11 - Step 2**

**81150 X2**  
Anti-Roll  
Bar Pivot




1mm

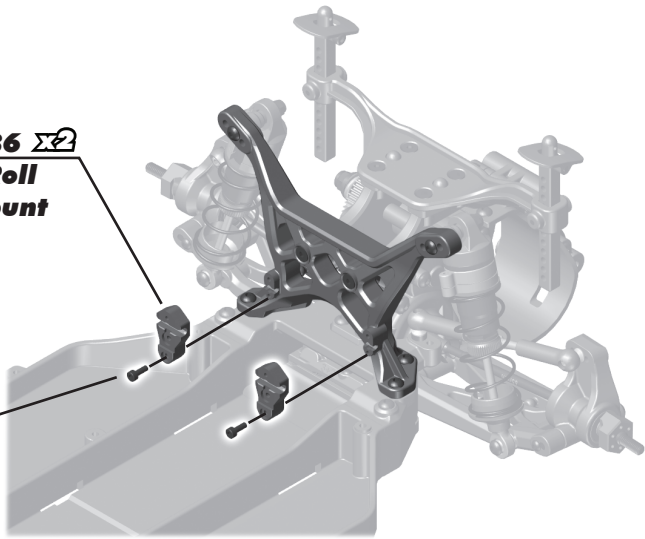
**71091**  
Anti-Roll  
Bar, Rear



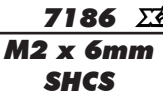
**25225 X2**  
M3 x 3mm  
Set Screw



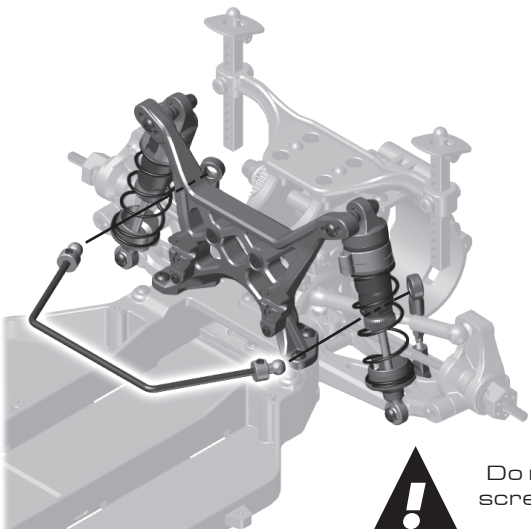
**71086 X2**  
Anti-Roll  
Bar Mount



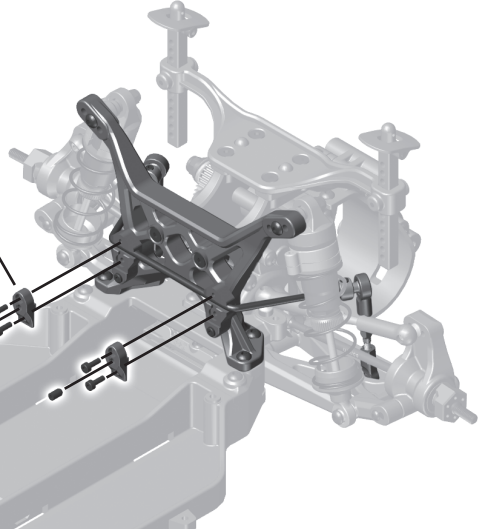
**7186 X2**  
M2 x 6mm  
SHCS



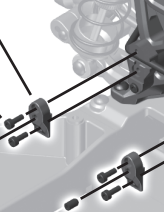
**:: Anti-Roll Bar Build - Bag 11 - Step 3**




**71086 X2**  
Anti-Roll Bar  
Mount Cap




**7186 X4**  
M2 x 6mm  
SHCS



**89219 X2**  
M3 x 5mm  
Set Screw





Do not overtighten the set screws. Anti-Roll bar should pivot freely.