



RT3507A SERVO #27117

RS3005A SERVO #27118

RT1705A SERVO #27119

OWNER'S MANUAL

- Water and dust resistant
- Full aluminum case
- Powerful brushless motor
- Ultra-precise metal gears
- Dual ball bearings
- High-voltage compatible



INTRODUCTION

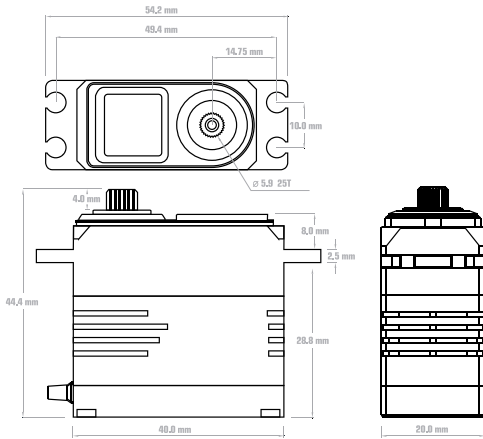
Congratulations on your Reedy HV Digital Aluminum Brushless Servo purchase. This digital servo is a race proven product featuring numerous enhancements including precision metal gears for added strength and smooth operation, brushless motor for lightning quick speeds and maximum torque, and an advanced microprocessor that improves vehicle control. Its state-of-the-art aluminum case increases rigidity while lowering operating temperatures for fade-free operation.

SPECIFICATIONS

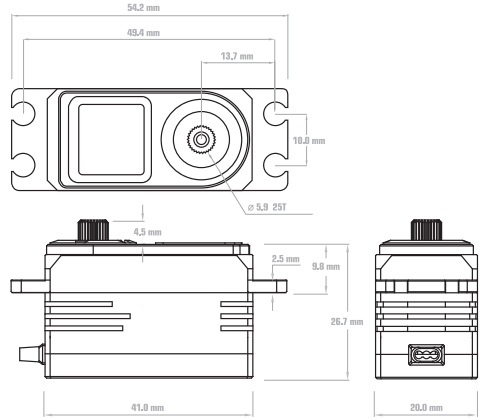
		RT3507A	RS3005A	RT1705A
Part #		27117	27118	27119
Input (V)		6.0 - 8.4	6.0 - 8.4	6.0 - 8.4
Motor		Brushless	Brushless	Brushless
Speed (sec/60°)	6.0V	0.095	0.076	0.072
	7.4V	0.075	0.060	0.06
	8.4V	0.070	0.055	0.05
Torque (kg-cm)	6.0V	26.0	21.5	11.5
	7.4V	30.0	25.0	15.0
	8.4V	35.0	30.0	17.5
Dimensions (mm)		40 x 20 x 39.3	40 x 20 x 39.3	41 x 20 x 26.7
Weight (g)		75	75	52
Spline		25	25	25

INSTALLATION

Install your servo using the mounting hardware included with the vehicle referencing the vehicle's manual for proper servo orientation or use the supplied hardware. A 25-spline servo horn or servo saver suitable for your application must be installed using an M3x10mm screw.



27117 Reedy RT3505A Digital HV Aluminum Brushless Servo
27118 Reedy RS3005A Digital HV Aluminum Brushless Servo



27119 Reedy RT1705A Digital HV Aluminum
Brushless Low-Profile Servo

SPARE PARTS

- 27146 RT3507A Gear Set
- 27147 RS3005A Gear Set
- 27148 RT1705A Gear Set
- 27122 Aluminum Servo Horn (25)
- 27123 Aluminum Clamping Servo Horn (25)

WARRANTY

Your Reedy servo is warranted to the original purchaser for 120 days from the date of purchase, verified by the sales receipt, against defects in material and workmanship. Product that has been mishandled, abused, used incorrectly, used for an application other than intended, or damaged by the user are not covered under warranty. Associated Electrics Inc. is not liable for any loss or damage, whether direct or indirect, incidental or consequential, or from any special situation, arising from the use, misuse, or abuse of this product.



Associated Electrics, Inc. declares that this product complies with the essential requirements and other relevant provisions of the European directive 2014/30/EU.



The crossed-out wheeled bin means that within the European Union, this product must be taken to a separate waste collection facility at the product's end of life. Do not dispose of this product as unsorted municipal waste.