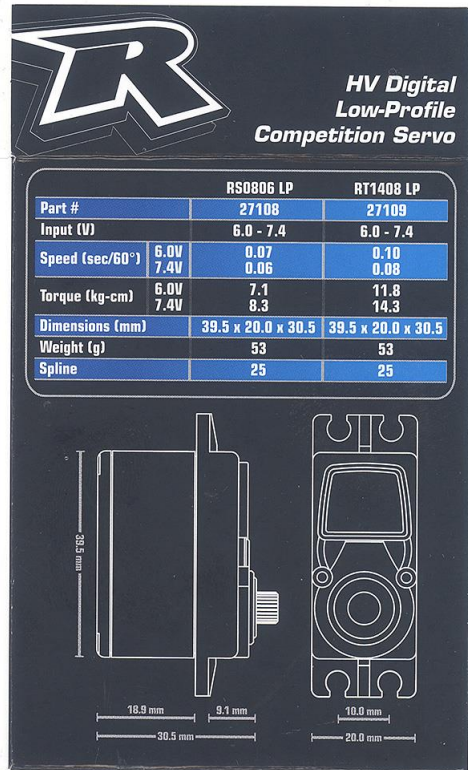
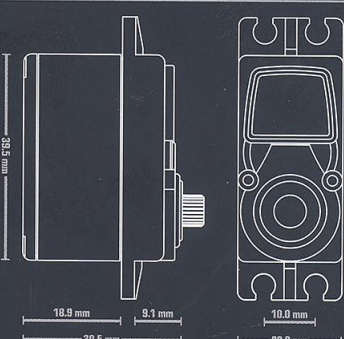


#27108 and 27109 Installation and Warranty Information



RV
HV Digital Low-Profile Competition Servo

	RS0806 LP	RT1408 LP
Part #	27108	27109
Input (V)	6.0 - 7.4	6.0 - 7.4
Speed (sec/60°)	6.0V 7.4V	0.07 0.06
Torque (kg-cm)	6.0V 7.4V	7.1 8.3
Dimensions (mm)	39.5 x 20.0 x 30.5	39.5 x 20.0 x 30.5
Weight (g)	53	53
Spline	25	25



Introduction

Congratulations on your Reedy HV Digital Servo purchase. This digital servo is a race proven product featuring numerous enhancements including precision metal gears for added strength and smooth operation, and an advanced microprocessor that improves vehicle control and on track performance. Its state-of-the-art aluminum mid case lowers operating temperatures for fade-free operation.

Installation

Install your servo using the mounting hardware included with the vehicle referencing the vehicle's manual for proper servo orientation or use the supplied hardware. A 25-spline servo horn or servo saver suitable for your application must be installed using a M3x8mm screw.

Warranty

Your Reedy servo is warranted to the original purchaser for 120 days from the date of purchase, verified by the sales receipt, against defects in material and workmanship. Product that has been mishandled, abused, used incorrectly, used for an application other than intended, or damaged by the user are not covered under warranty. Associated Electrics Inc. is not liable for any loss or damage, whether direct or indirect, incidental or consequential, or from any special situation, arising from the use, misuse, or abuse of this product.

Spare Parts

- | | |
|--------------------------------|---|
| 27122 Aluminum Servo Horn (25) | 27123 Aluminum Clamping Servo Horn (25) |
| 27124 RS0806 LP Case Set | 27125 RS0806 LP Gear Set |
| 27126 RT1408 LP Case Set | 27127 RT1408 LP Gear Set |