

Front	Alignment	Rear
	Ride Height	
	Camber	
	Caster	N/A
N/A	Rear Hub Toe	
	Toe (Total)	
	Hex Width & Shims	
	Wheelbase	
	Steering Rack Ball & Shims	N/A
	Steering Block Position	N/A
	Steering Block Ball & Shims	N/A

Notes:

Suspension Geometry

	Shock Position	
	Camber Link Position	
	Inner Ball & Shims	
	Outer Ball & Shims	
	Outer Arm Mount Insert	
	Outer Mount Shims	
	Inner Arm Mount Insert	
	Inner Mount Shims	
	Droop	
	Anti-Roll Bar	

Notes:

Shocks

	Oil	
	Piston	
	Rebound	
	Spring	

Notes:

Differentials

	Type	
	Setting	
	Cam Position	
	Belt Tension Number	

Notes:

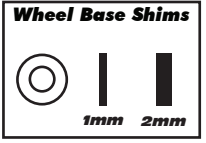
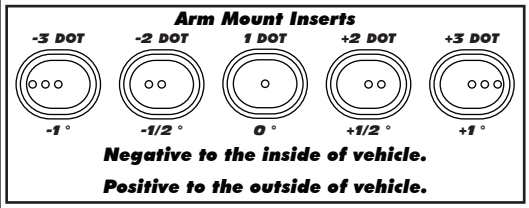
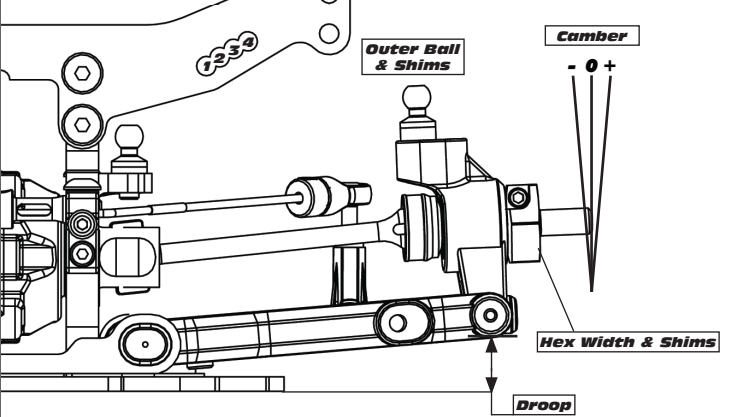
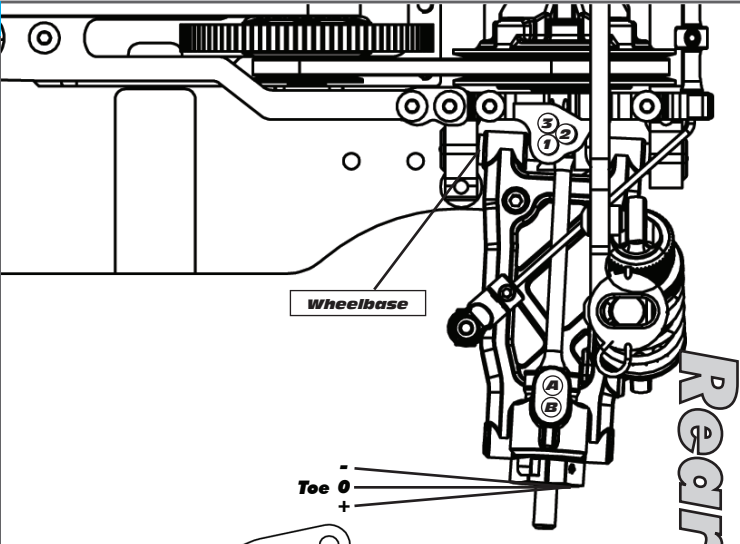
Tires

	Type	
	Tire Diameter	
	Insert & Wheel	
	Additive & Amount	

Notes:

Chassis

	Chassis:	
	Top Plate:	
	Notes:	



Transmitter	Speed Control
Turning Circle:	E.S.C. Type:
Steering Expo:	E.S.C. Settings:
Brake E.P. :	Software Version:
Throttle Expo:	Notes:
Battery Placement	Body & Wing
Notes:	Notes:

Notes:

Notes:

Notes:

Notes:

Notes: