

Front	Alignment	Rear
5.2mm	Ride Height	5.4mm
-2°	Camber	-1.5°
4°	Caster	N/A
N/A	Rear Hub Toe	0°
1.5° Out	Toe (Total)	2.5° In
5mm	Hex Width & Shims	5mm + .5
1mm	Wheelbase	1mm
1mm	Steering Rack Ball & Shims	N/A
B	Steering Block Position	N/A
1mm	Steering Block Ball & Shims	N/A

Notes: Used 31632, 31638 & 31639

Suspension Geometry		
3	Shock Position	2
1	Camber Link Position	1
2.5mm	Inner Ball & Shims	1mm
-	Outer Ball & Shims	A 1mm
1	Outer Arm Mount Insert	2 Out
.5mm	Outer Mount Shims	.5mm
2 In	Inner Arm Mount Insert	3 Out
.5mm	Inner Mount Shims	.5mm
35.7mm	Droop	34.9mm
Gray	Anti-Roll Bar	White

Notes: Droop measured at top of axle on 10mm bloc

Shocks		
AE 37.5	Oil	AE 32.5
3 x 1.1	Piston	3 x 1.1
50%	Rebound	50%
Yok Black	Spring	Yok Black

Notes: Used 91493 X-Rings

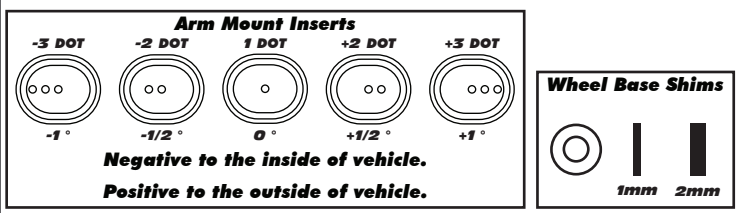
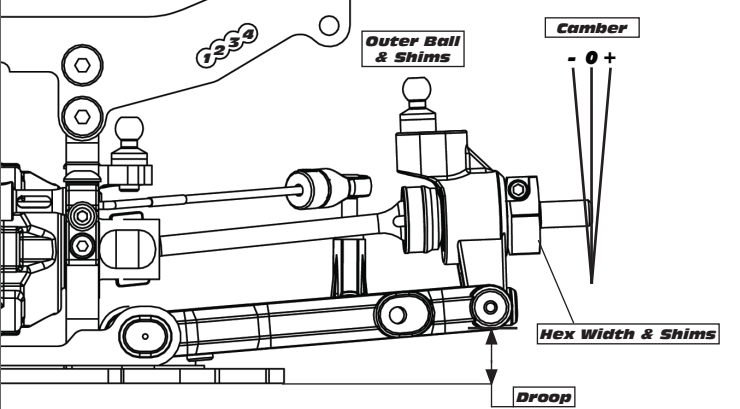
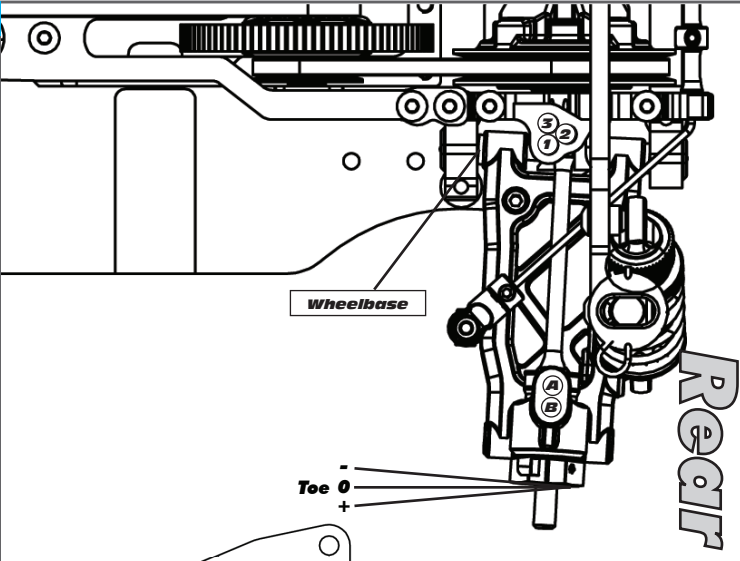
Differentials		
Spool	Type	Gear
-	Setting	AE 6,000 wt
Low	Cam Position	Low
10	Belt Tension Number	9

Notes: Diff weighs 22.2 grams with oil

Tires		
Solaris	Type	Spec
	Tire Diameter	
	Insert & Wheel	
SXT 3.0	Additive & Amount	

Notes: Glued front sidewalls

Chassis		
	Chassis:	AE 31652 Aluminum Chassis
	Top Plate:	Stock
	Notes:	20g weight at center of car



Transmitter		Speed Control	
Turning Circle:	19" inner wheel	E.S.C. Type:	Orion Vortex R10.1
Steering Expo:	-15%	E.S.C. Settings:	
Brake E.P. :	85%	Software Version:	
Throttle Expo:	-	Notes:	

Battery Placement		Body & Wing	
	Back		ProtoForm LTC 2.0
Notes:	Orion Carbon 6000	Notes:	Standard downforce HD wing

Motor		Gearing	
	Orion Vortex VST2 LW 4.5		23 / 87
Notes:	0 timing on motor	Notes:	AE 1341 aluminum pinion

Chassis		
	Chassis:	AE 31652 Aluminum Chassis
	Top Plate:	Stock
	Notes:	20g weight at center of car

Transmitter		Speed Control	
Turning Circle:	19" inner wheel	E.S.C. Type:	Orion Vortex R10.1
Steering Expo:	-15%	E.S.C. Settings:	
Brake E.P. :	85%	Software Version:	
Throttle Expo:	-	Notes:	

Notes: Orion Carbon 6000