

### Track Info:

**Size:** Sm  Med  Lg  XL

**Surface:** Carpet  Asphalt   
Indoor  Outdoor

**Traction:** Low  Medium   
High  Wet

**Condition:** Bumpy  Smooth

**Temperature:** Ambient 80F  Track

**Driver:** Eric Epp

**Date:** 9/2/2018

**Track:** Steel City RC Speedway

**Event:** PROTOform Cup - USGT

**Quality:** 1 **Best Lap Time:** 15.4

**Main:** A **Finish:** 1



### Roll Centers:

**FF** **RF**

**Shim:** .5 **Shim:** .5

**FR** **RR**

**Shim:** .7 **Shim:** .5

**Notes:**

### Front Transmission: Rear

**Solid Axle:**

**Gear Diff:**

**Fluid:** 5000

**Mass w/Fluid:** 22.6g

**Spur:** 96 **Pinion:** 53 **FDR:** 3.6

**Notes:**

### Front Shocks: Rear

**SMJ Yellow Spring:** Xray 2.7

**Stock Piston:** Stock

**AE 35 Fluid:** AE 35

**0 Rebound:** 0

**9.5 Stroke:** 9.5

**1.2 Anti-Roll Bar:** 1.3

**Notes:** 1mm hole in cap

### Body & Wing:

**Body:** PF Ford GT **Position:** Neutral

**Wing:** PF Ford GT **Position:** Neutral

**Notes:**

### Electronics:

**Motor:** Handout Reedy 17.5 FT **Timing:** Fixed

**Battery:** Reedy 8200 **Mass:** 330g

**ESC:** Reedy 510R **Settings:** Blinky

**Radio:** Sanwa M12S **Servo:** PowerHD Storm7

**Turn Circle:** 26 **STR Expo:** -15

**Brake E.P.:** **THR Expo:**

**Notes:** 40mm WTF Fan - 0% Drag Brake

### Tires:

**Tires:** Gravity USGT Spec

**Insert:** Stock **Wheel:** Gravity Spoke

**Tire Diameter (F/R):**

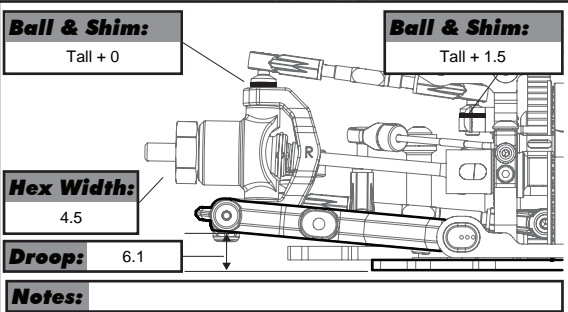
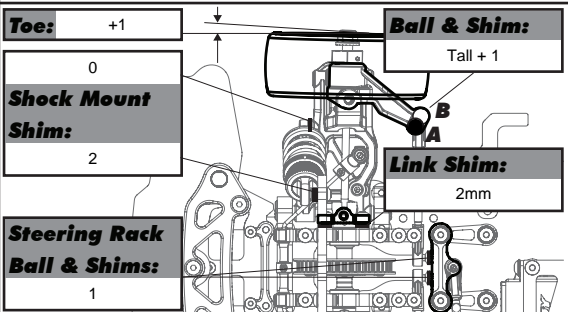
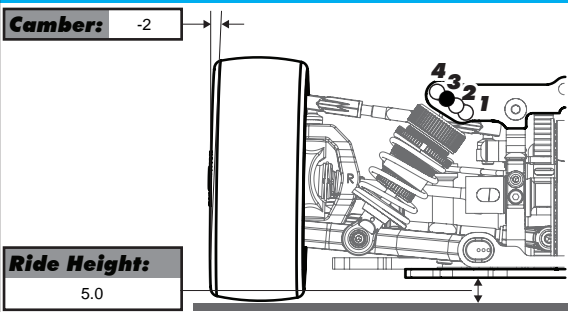
**Additive (F/R):** Tire Tweak 40 mins, then wipe

**Additive Timing:** MG Yellow 10 mins

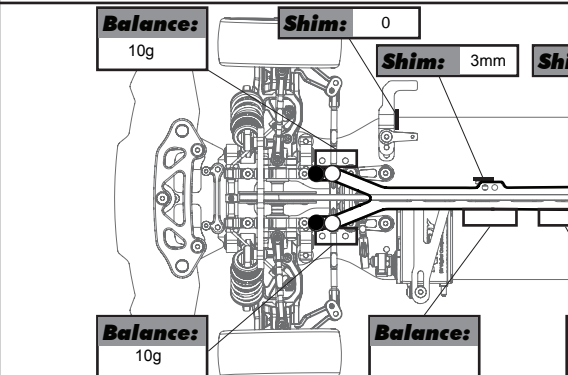
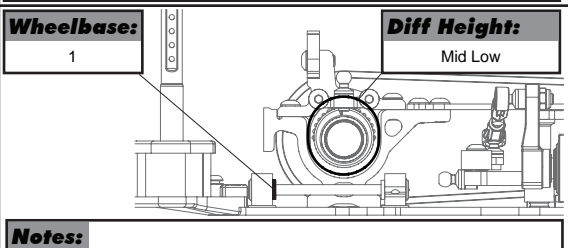
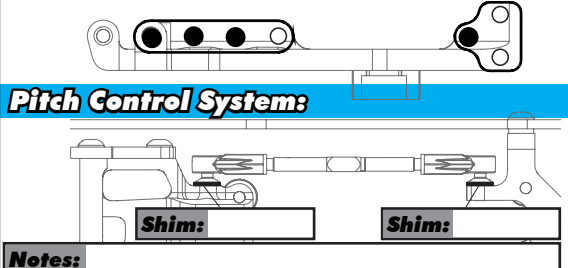
**Left FR Right FR Left RR Right RR**

**Notes:** 20g in front bumper

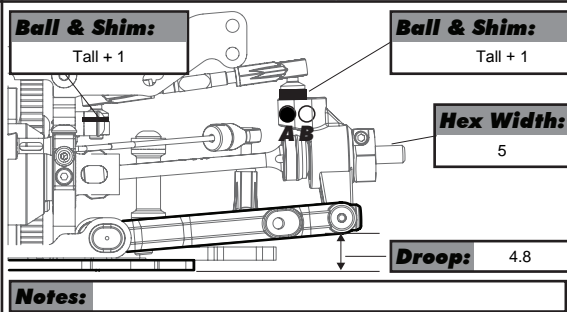
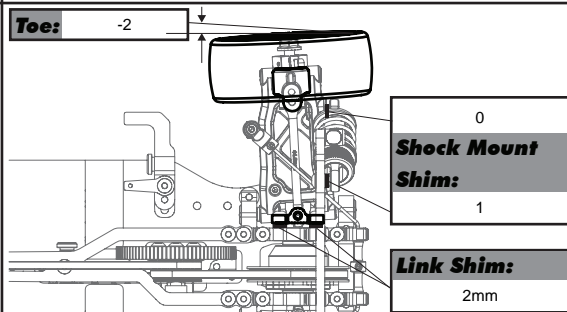
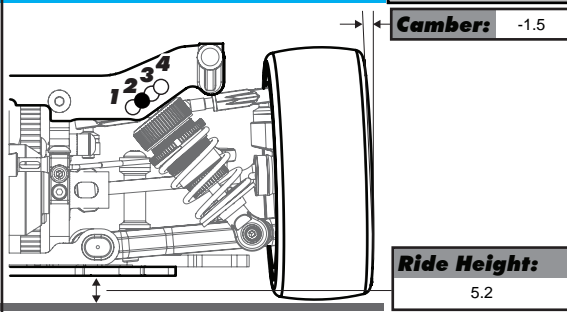
### Front:



### Inline Flex Mount:



### Rear:



### Dynamic Toe Control:

