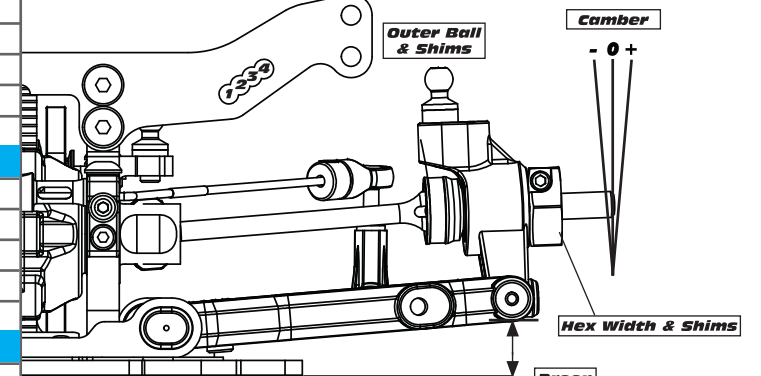
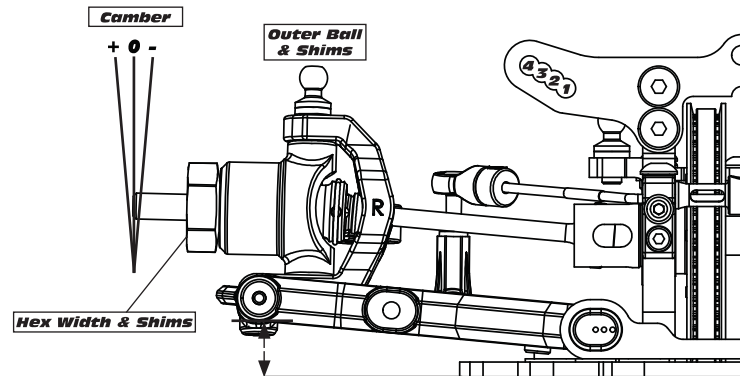
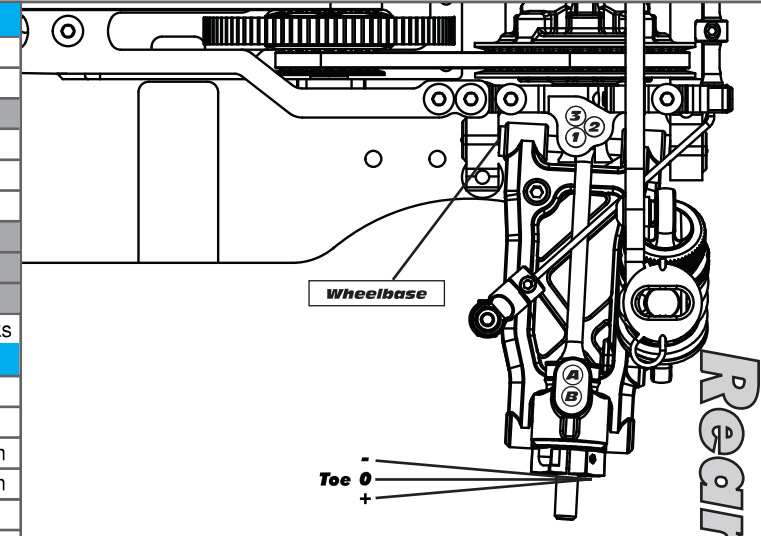
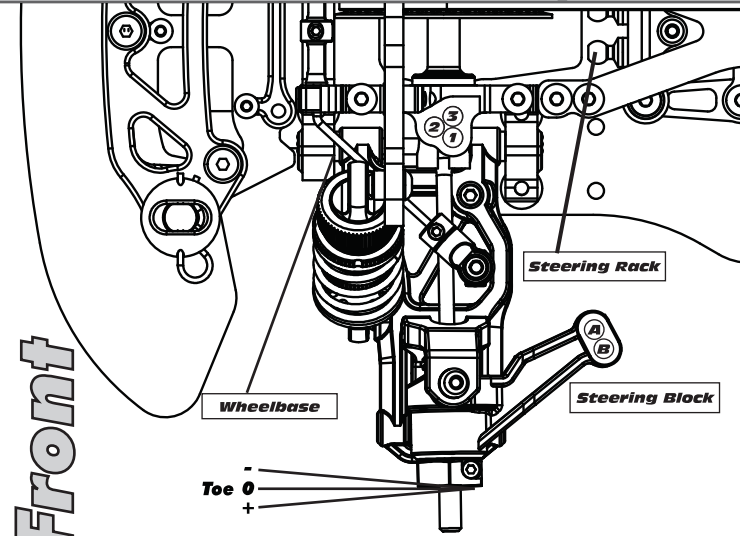


### Setup Sheet

Conditions: Black Carpet, Smooth, High Bite (TQ and WIN)

Rev 6/1



Front	Alignment	Rear
5.2	Ride Height	5.4
1	Camber	2
4	Caster	N/A
+1	Toe	-3
4.5mm	Hex Width & Shims	5mm
1mm	Wheelbase	1mm
Silver 1mm	Steering Rack Ball & Shims	N/A
B	Steering Block Position	N/A
Silver 1mm	Steering Block Ball & Shims	N/A

Notes: Weight = 20g center, 20g in front of Bell cranks

Suspension Geometry		
2	Shock Position	2
1	Camber Link Position	1B
Silver 2mm	Inner Ball & Shims	Silver 2mm
Silver	Outer Ball & Shims	Silver 1mm
+2	Outer Arm Mount Insert	+3
0.7mm	Outer Mount Shims	1mm
-2	Inner Arm Mount Insert	+3
1mm	Inner Mount Shims	1mm
6.0	Droop	5.6
1.3	Anti-Roll Bar	1.3

Notes: Used Brass Arm Mount at FF & FR

Shocks		
AE 35	Fluid	AE 35
4x1.1	Piston	4x1.1
	Rebound	
Xray 2.5-2.8	Spring	Xray 2.7

Notes: Shock Spacing 9.5mm at Front and Rear

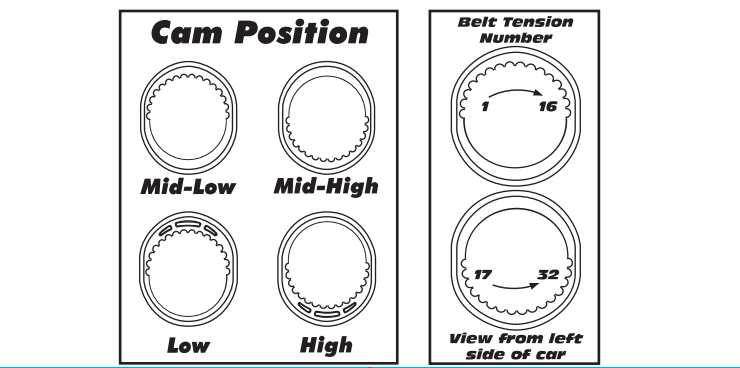
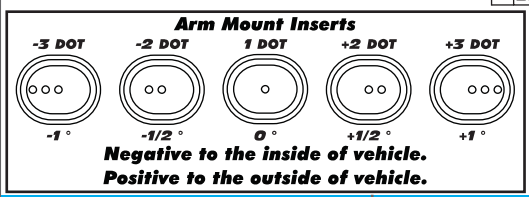
Differentials		
Spool	Type	Gear
	Fluid	AE 10K
	Diff Weight with Fluid	21.3
mid-low	Cam Position	mid-low
10	Belt Tension Number	5

Notes: AE Alum screws used at diff housing

Tires		
Jaco Blue	Type	Jaco Blue
	Tire Diameter	
	Insert & Wheel	
SXT 3.0	Additive & Amount	SXT 3.0

Notes: Glued Sidewall at 58.5mm

Chassis		
Chassis:	AE Aluminum	
Top Plate:	7.1 kit top deck cut at front and rear	
Notes:	Acer Ceramic Bearings	



Motor	Gearing
Muchmore 5.0	115 / 31
Notes: MM Aluminum Screws in Motor	Notes: Robinson Spur and Pinion

Transmitter	Speed Control
Turning Circle:	E.S.C. Type: Muchmore Fleeta Pro V2
Steering Expo:	E.S.C. Settings:
Brake E.P. :	Software Version: V1.5R
Throttle Expo:	Notes: Radio M12s / Sanwa PGS-LH

Battery	Body & Wing
Battery Weight:	271g
Battery Position:	Poles to back
Notes:	Muchmore 6400
	Montech Racer "Leggera"
Notes:	10g weight in bumper