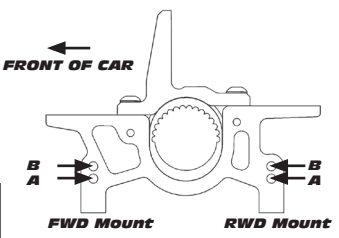
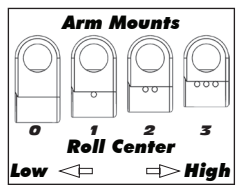
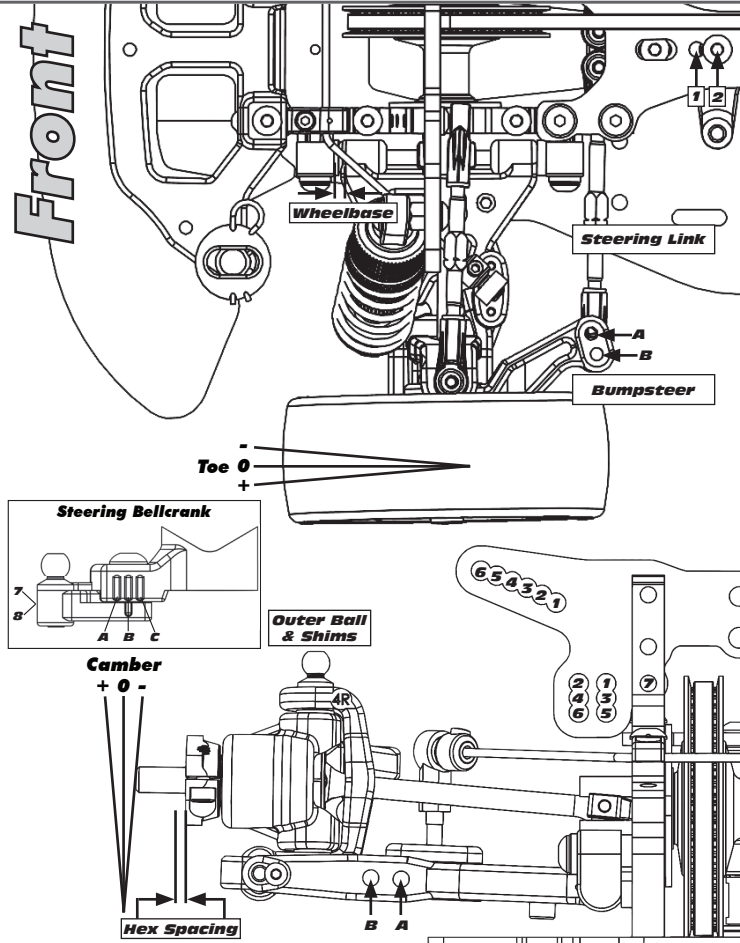


Driver:
Track:
Conditions:

Date:
Event:



Front	Alignment	Rear
	Ride Height	
	Camber	
	Caster	N/A
N/A	Rear Hub Toe	
	Toe (Total)	
	Hex Spacing	
	Wheelbase	
	Steering Bellcrank	N/A
	Steering Link	N/A
	Bumpsteer	N/A

Notes:

Suspension Geometry	
	Shock Position
	Camber Link Position
	Outer Ball & Shims
	FWD Arm Mount
	FWD Mount Shim
	RWD Arm Mount
	RWD Mount Shims
	Drop
	Anti-Roll Bar

Notes:

Shocks	
	Oil
	Piston
	Rebound
	Spring

Notes:

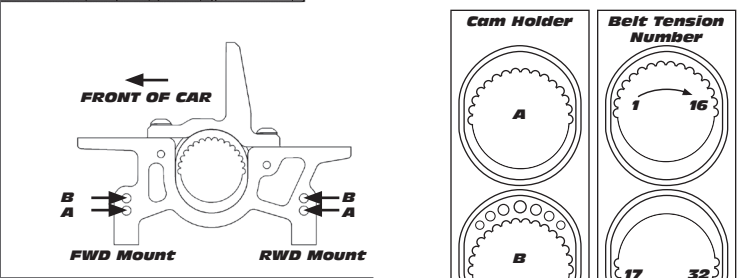
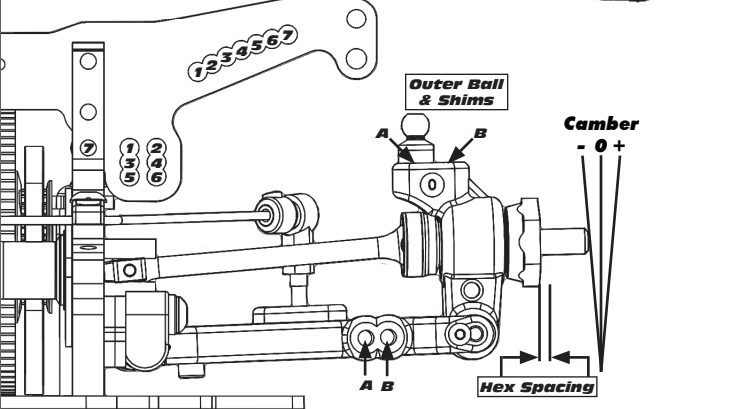
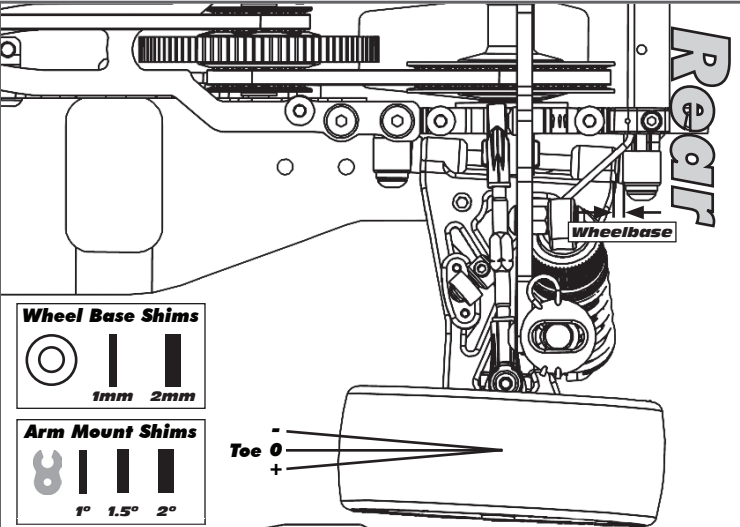
Differentials	
	Type
	Setting
	Cam Holder
	Belt Tension Number

Notes:

Tires	
	Type
	Tire Diameter
	Insert & Wheel
	Additive & Amount

Notes:

Chassis	
	Chassis
	Top Plate



Notes:

Speed Control	
	E.S.C. Type:
	E.S.C. Settings:

Body & Wing	
	Body & Wing

Battery Placement	
	Battery Placement

Notes:

Transmitter	
	Turning Circle:
	Steering Expo:
	Brake E.P.:
	Throttle Expo:

Motor	
	Motor

Notes:

Gearing	
	Gearing