

# TC6 FACTORY Team Setup Sheet

**Reset Form**

**Driver:** Jorge Simoes

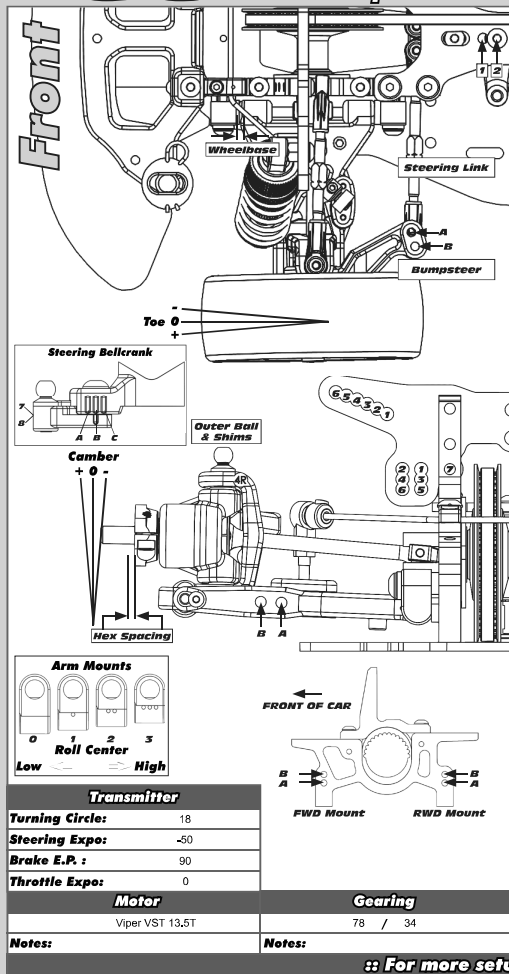
**Date:** 05 Sept. 2011

**Tracks:** Maiorca - Figueira da Foz - CRAFF

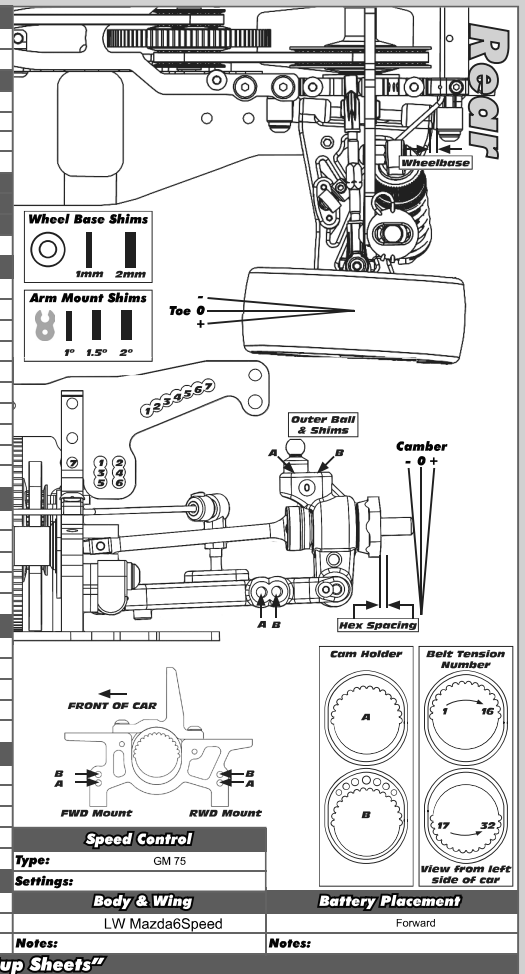
**Event:** 5 CN PT

**Conditions:** Medium Grip - 20C air Temp

**Rev.1**



Front	Alignment	Rear
5	<b>Ride Height</b>	5.5
2	<b>Camber</b>	1.5
6	<b>Caster</b>	N/A
N/A	<b>Rear Hub Toe</b>	0
1	<b>Toe (Total)</b>	2.5
0	<b>Hex Spacing</b>	0
1	<b>Wheelbase</b>	2
7b	<b>Steering Bellcrank</b>	N/A
2b	<b>Steering Link</b>	N/A
1mm black	<b>Bumpsteer</b>	N/A
<b>Notes:</b>		
<b>Suspension Geometry</b>		
4b	<b>Shock Position</b>	4b
7	<b>Camber Link Position</b>	3a
2mm Silver	<b>Outer Ball &amp; Shims</b>	3mm Black
0b	<b>FWD Arm Mount</b>	1b
1.5	<b>FWD Mount Shim</b>	1.5
3a	<b>RWD Arm Mount</b>	1b
1.5	<b>RWD Mount Shims</b>	3.5
7	<b>Drop</b>	6
Silver	<b>Anti-Roll Bar</b>	Black
<b>Notes:</b>		
<b>Shocks</b>		
MM450	<b>Oil</b>	MM350
2	<b>Piston</b>	2
0	<b>Rebound</b>	0
AE Blue	<b>Spring</b>	AE Blue
<b>Notes:</b>		
<b>Differentials</b>		
Slipper Spool	<b>Type</b>	Gear
800 wet n dry	<b>Setting</b>	30 wt
a	<b>Cam Holder</b>	a
11	<b>Belt Tension Number</b>	6
<b>Notes:</b>		
<b>Tires</b>		
VTEC 30X	<b>Type</b>	VTEC 30X
	<b>Tire Diameter</b>	
	<b>Insert &amp; Wheel</b>	
	<b>Additive &amp; Amount</b>	
<b>Notes:</b>		
<b>Chassis</b>		
	<b>Chassis:</b>	Std
	<b>Top Plate:</b>	Std
<b>Notes:</b>		



**:: For more setups, visit RC10.com and click on "Setup Sheets"**