

TC6 FACTORY TEAM Setup Sheet

Reset Form

Driver: Rick Hohwart

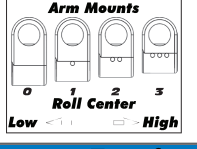
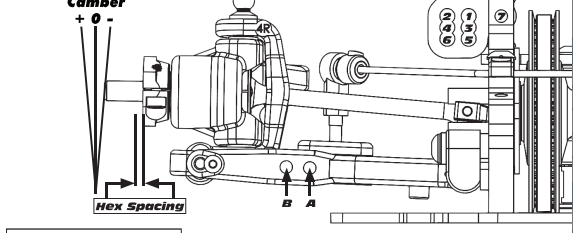
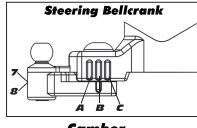
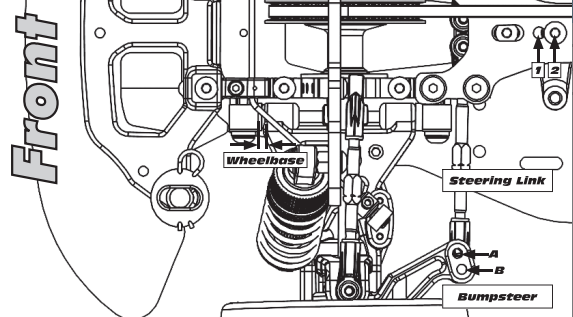
Date: 5/29/11

Track: Norcal Hobbies

Event: 2011 Reedy Race of Champions

Conditions: med/high traction asphalt outdoors

Rev: 1



Transmitter	
Turning Circle:	100%
Steering Expo:	-10%
Brake E.P.:	45%
Throttle Expo:	-

Motor	Gearing
Reedy Sonic 5.0	27 / 115
Notes:	Timing - 2.5 lines

Front	Alignment	Rear
4.6mm	Ride Height	4.8mm
-2.0 deg	Camber	-1.5 deg
6 deg	Caster	N/A
N/A	Rear Hub Toe	0
-1 deg.	Toe (Total)	2.5 deg
0	Hex Spacing	0
1mm	Wheelbase	2mm
7B	Steering Bellcrank	N/A
2B	Steering Link	N/A
2mm	Bumpsteer	N/A

Notes:

Suspension Geometry		
4B	Shock Position	3B
7	Camber Link Position	3A
silver 2mm	Outer Ball & Shims	black 3mm
3A	FWD Arm Mount	2B
2mm	FWD Mount Shim	1.5mm
0B	RWD Arm Mount	2B
2mm	RWD Mount Shims	3.5mm
7	Drop	6
silver	Anti-Roll Bar	black

Notes:

Shocks		
35	Oil	35
#2	Piston	#2
50%	Rebound	50%
AE silver	Spring	Xray yellow

Notes:

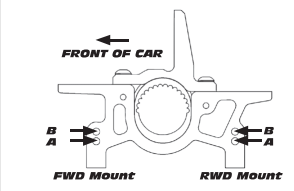
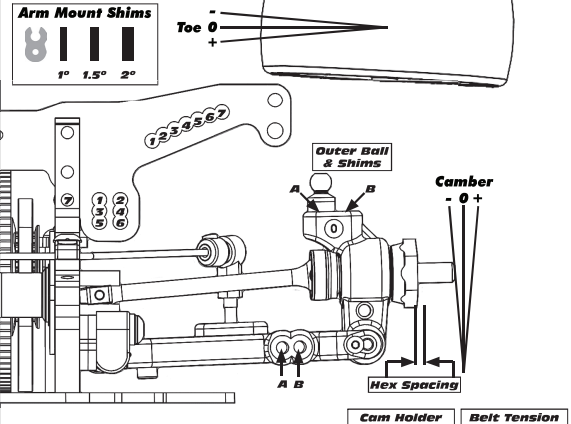
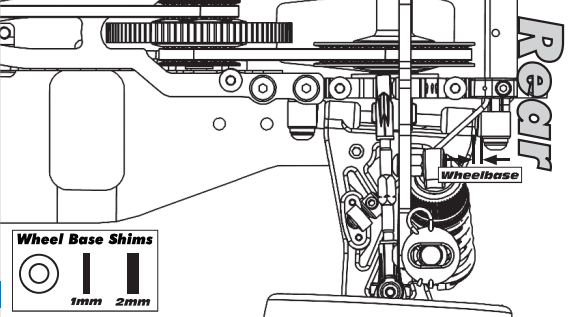
Differentials		
gear	Type	gear
putty	Setting	1000
A	Cam Holder	A
6	Belt Tension Number	7

Notes:

Tires		
Solaris	Type	Solaris
-	Tire Diameter	-
-	Insert & Wheel	-
FX2 100%	Additive & Amount	FX2 100%

Notes:

Chassis	
Chassis:	TC6
Top Plate:	TC6
Notes:	1380g

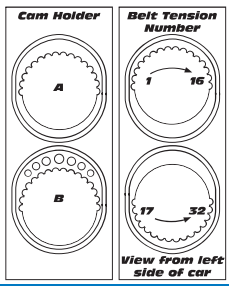


Notes:

Speed Control	
Type:	LRP SXX TC-Spec Ver 2, v1.7
Settings:	3-3-5-4

Notes:

Body & Wing	
Body & Wing	Protoform LTC-R lightweight
Notes:	



Notes:

Battery Placement	
Battery Placement	Back
Notes:	Reedy #628

:: For more setups, visit RC10.com and click on "Setup Sheets"