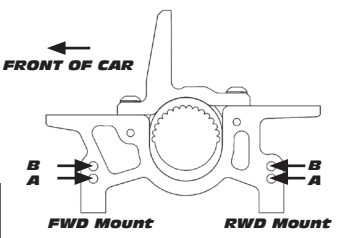
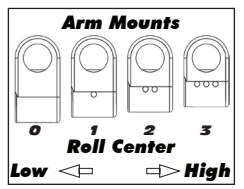
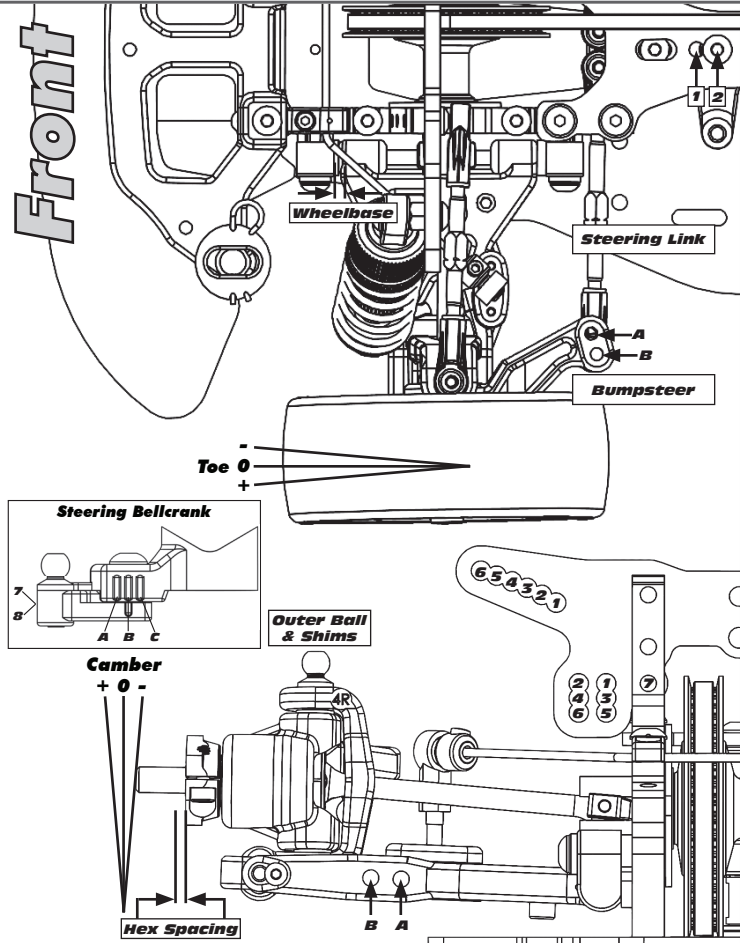


Driver:  
Track:  
Conditions:

Date:  
Event:



Front	Alignment	Rear
	Ride Height	
	Camber	
	Caster	N/A
N/A	Rear Hub Toe	
	Toe (Total)	
	Hex Spacing	
	Wheelbase	
	Steering Bellcrank	N/A
	Steering Link	N/A
	Bumpsteer	N/A

**Notes:**

Suspension Geometry	
	Shock Position
	Camber Link Position
	Outer Ball & Shims
	FWD Arm Mount
	FWD Mount Shim
	RWD Arm Mount
	RWD Mount Shims
	Drop
	Anti-Roll Bar

**Notes:**

Shocks	
	Oil
	Piston
	Rebound
	Spring

**Notes:**

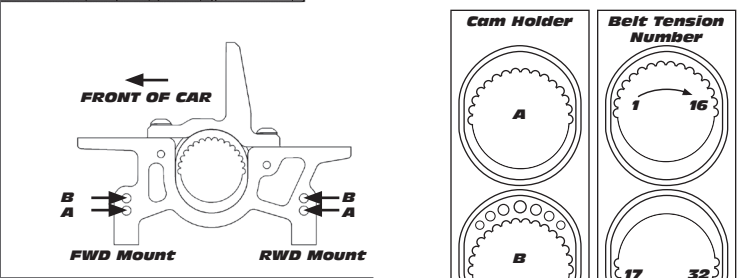
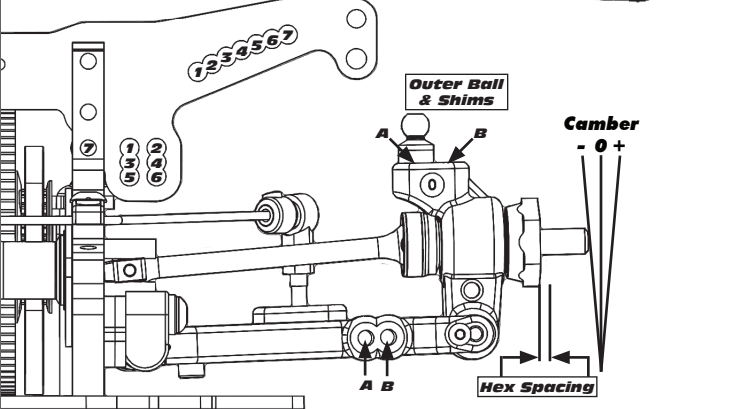
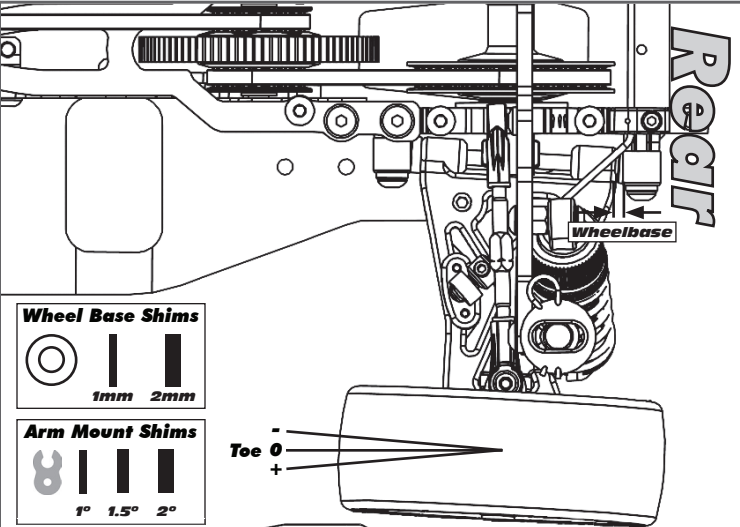
Differentials	
	Type
	Setting
	Cam Holder
	Belt Tension Number

**Notes:**

Tires	
	Type
	Tire Diameter
	Insert & Wheel
	Additive & Amount

**Notes:**

Chassis	
	Chassis
	Top Plate



**Notes:**

Speed Control	
	E.S.C. Type:
	E.S.C. Settings:

Body & Wing	
	Body & Wing

Battery Placement	
	Battery Placement

**Transmitter**

Turning Circle:

Steering Expo:

Brake E.P. :

Throttle Expo:

**Motor**

**Gearing**

Notes:

**Gearing**

/

Notes:

Notes:

Notes: