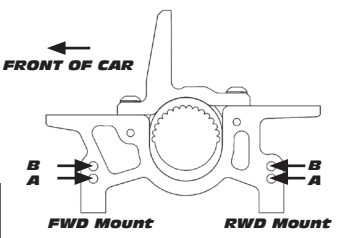
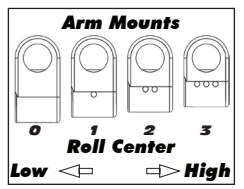
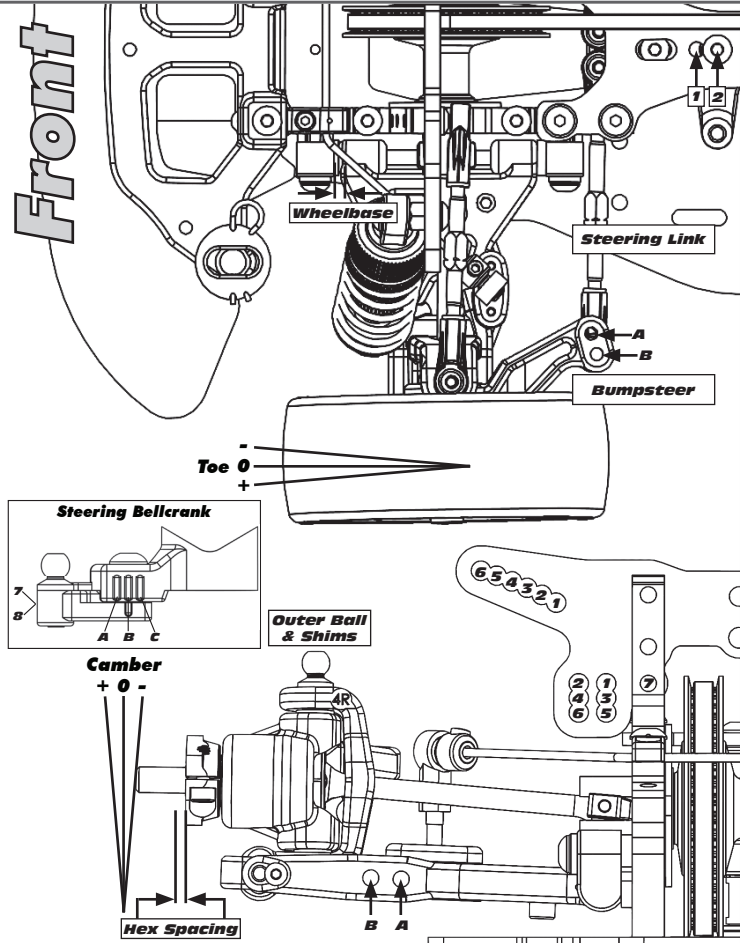


Driver:  
Track:  
Conditions:

Date:  
Event:



| Front | Alignment          | Rear |
|-------|--------------------|------|
|       | Ride Height        |      |
|       | Camber             |      |
|       | Caster             | N/A  |
| N/A   | Rear Hub Toe       |      |
|       | Toe (Total)        |      |
|       | Hex Spacing        |      |
|       | Wheelbase          |      |
|       | Steering Bellcrank | N/A  |
|       | Steering Link      | N/A  |
|       | Bumpsteer          | N/A  |

Notes:

| Suspension Geometry |                      |
|---------------------|----------------------|
|                     | Shock Position       |
|                     | Camber Link Position |
|                     | Outer Ball & Shims   |
|                     | FWD Arm Mount        |
|                     | FWD Mount Shim       |
|                     | RWD Arm Mount        |
|                     | RWD Mount Shims      |
|                     | Drop                 |
|                     | Anti-Roll Bar        |

Notes:

| Shocks |         |
|--------|---------|
|        | Oil     |
|        | Piston  |
|        | Rebound |
|        | Spring  |

Notes:

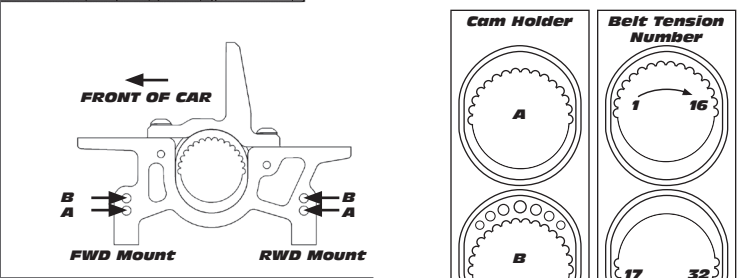
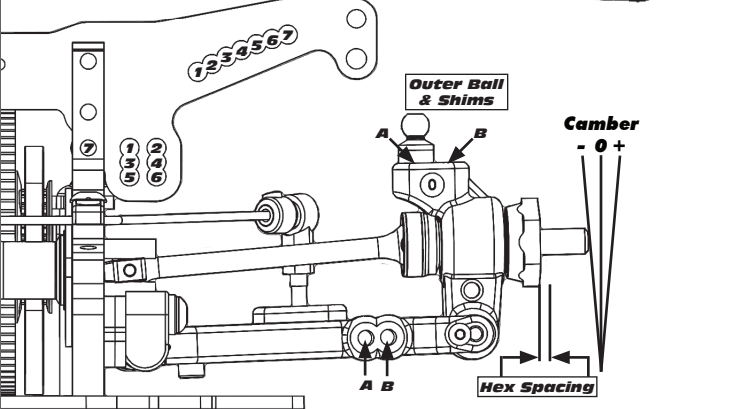
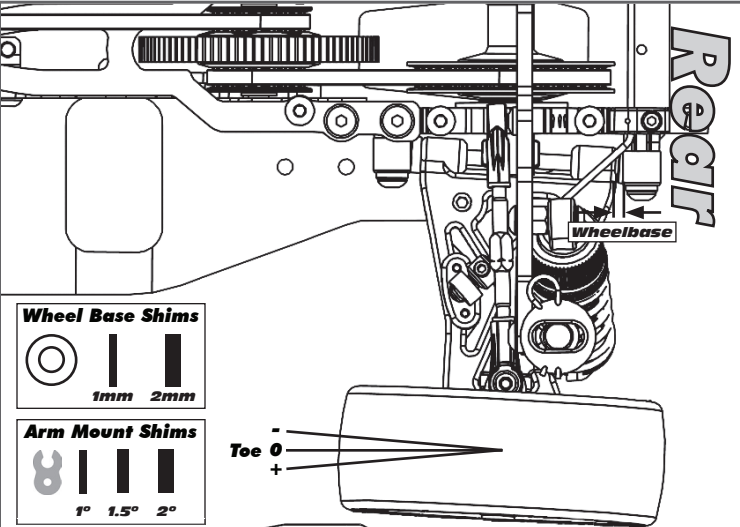
| Differentials |                     |
|---------------|---------------------|
|               | Type                |
|               | Setting             |
|               | Cam Holder          |
|               | Belt Tension Number |

Notes:

| Tires |                   |
|-------|-------------------|
|       | Type              |
|       | Tire Diameter     |
|       | Insert & Wheel    |
|       | Additive & Amount |

Notes:

| Chassis |           |
|---------|-----------|
|         | Chassis   |
|         | Top Plate |



Notes:

| Speed Control |                  |
|---------------|------------------|
|               | E.S.C. Type:     |
|               | E.S.C. Settings: |

| Body & Wing |             |
|-------------|-------------|
|             | Body & Wing |

| Battery Placement |                   |
|-------------------|-------------------|
|                   | Battery Placement |

Notes:

| Transmitter |                 |
|-------------|-----------------|
|             | Turning Circle: |
|             | Steering Expo:  |
|             | Brake E.P.:     |
|             | Throttle Expo:  |

| Motor |       |
|-------|-------|
|       | Motor |

Notes:

| Gearing |         |
|---------|---------|
|         | Gearing |