

Front	Alignment	Rear
4.90mm	Ride Height	5.0mm
-1.5 deg.	Camber	-2.0 deg.
6 deg	Caster	N/A
N/A	Rear Hub Toe	0 deg.
+1.0 deg.	Toe (Total)	-
1.50mm	Hex Spacing	1.0mm
3.0mm	Wheelbase	1.0mm
7B	Steering Bellcrank	N/A
B	Steering Link	N/A
0mm	Bumpsteer	N/A

Notes: Steering post in position 2

Suspension Geometry		
5B	Shock Position	1B
7	Camber Link Position	7
2.0mm	Outer Ball & Shims	5.0mm
3A	FWD Arm Mount	1B
2.45mm	FWD Mount Shim	2.0mm
3A	RWD Arm Mount	1B
2	RWD Mount Shims	3.65mm
6	Drop	5
1.40mm	Anti-Roll Bar	1.25mm

Notes:

Shocks		
40wt	Oil	50wt
Losi #56 - pink	Piston	Losi #56 - pink
10%	Rebound	10%
Silver	Spring	Green

Notes:

Differentials		
Slipper Spool	Type	Gear
-	Setting	20wt
A	Cam Holder	A
7	Belt Tension Number	9

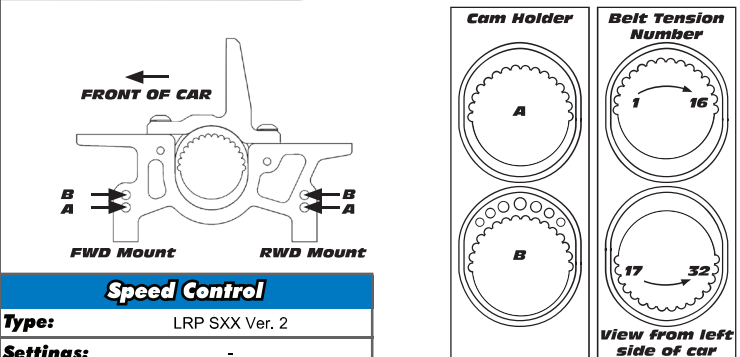
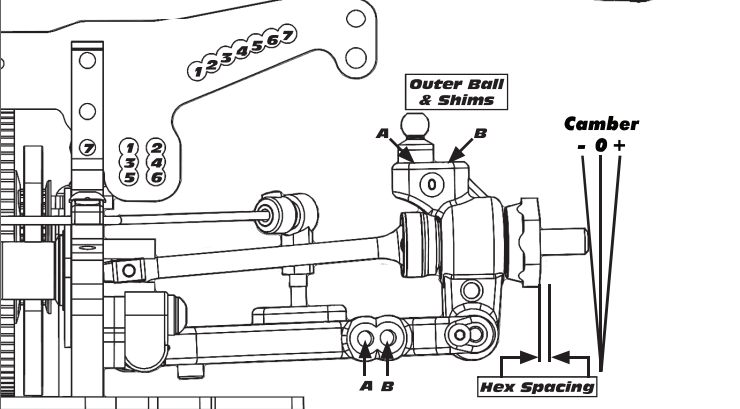
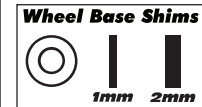
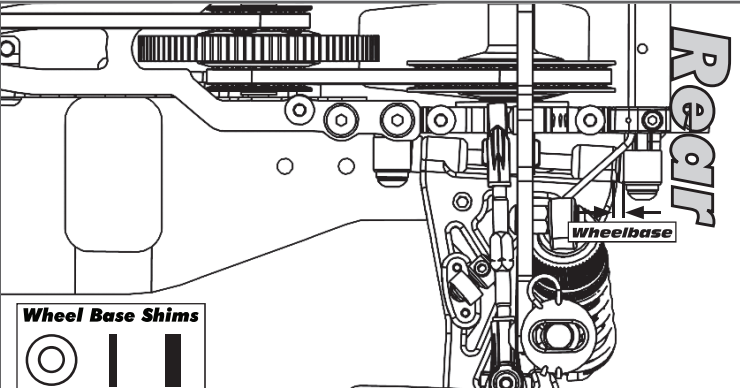
Notes: Measure 1.6g gear diff oil

Tires		
LRP CPX	Type	LRP CPX
-	Tire Diameter	-
-	Insert & Wheel	-
-	Additive & Amount	-

Notes:

Chassis	
Chassis:	Standard
Top Plate:	Standard

Notes:



Speed Control	
Type:	LRP SXX Ver. 2
Settings:	-

Transmitter	
Turning Circle:	0.6 meters
Steering Expo:	-
Brake E.P. :	-
Throttle Expo:	-

Motor	
	LRP X-12

Notes:

Gearing	
	NA / NA

Notes:

Body & Wing	
	Protoform Mazdaspeed 6

Notes:

Battery Placement	
	Forward

Notes: Reedy #628