

Driver: _____

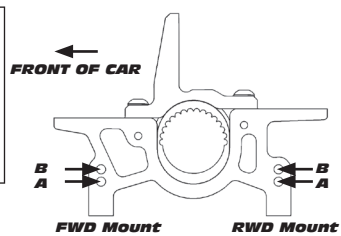
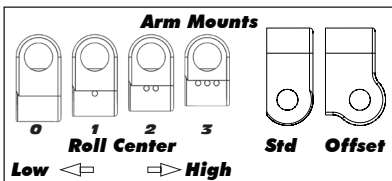
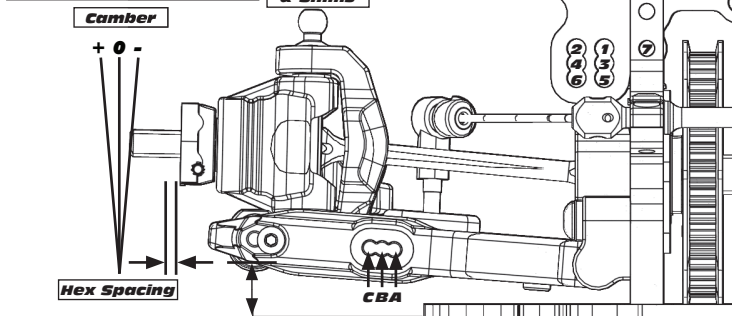
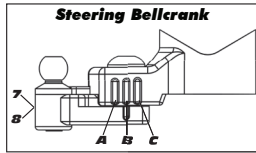
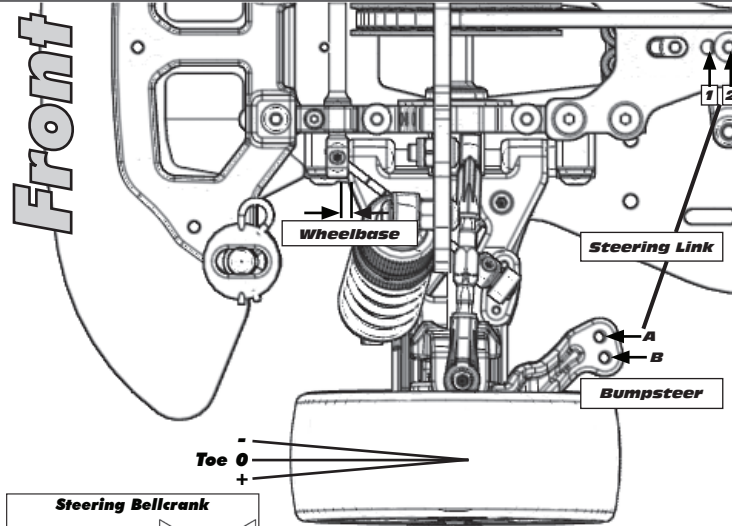
Date: _____

Track: _____

Event: _____

Conditions: _____

Rev:2



Transmitter

Turning Circle: _____

Steering Expo: _____

Brake E.P. : _____

Throttle Expo: _____

Motor

Notes: _____

Speed Control

E.S.C. Type: _____

E.S.C. Settings: _____ S.W. Ver. _____

Gearing

Notes: _____

Front	Alignment	Rear
	Ride Height	
	Camber	
	Caster	N/A
N/A	Rear Hub Toe	
	Toe (Total)	
	Hex Spacing	
	Wheelbase	
	Steering Bellcrank	N/A
	Steering Link	N/A
	Bumpsteer	N/A

Notes: _____

Suspension Geometry
Shock Position
Camber Link Position
Inner Ball & Shims
Outer Ball & Shims
FWD Arm Mount
FWD Mount Shim
RWD Arm Mount
RWD Mount Shims
Droop
Anti-Roll Bar

Notes: _____

Shocks
Oil
Piston
Rebound
Spring

Notes: _____

Differentials
Type
Setting
Cam Holder
Belt Tension Number

Notes: _____

Tires
Type
Tire Diameter
Insert & Wheel
Additive & Amount

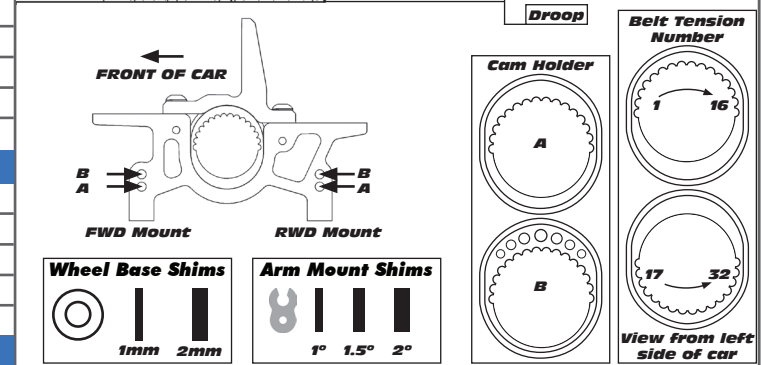
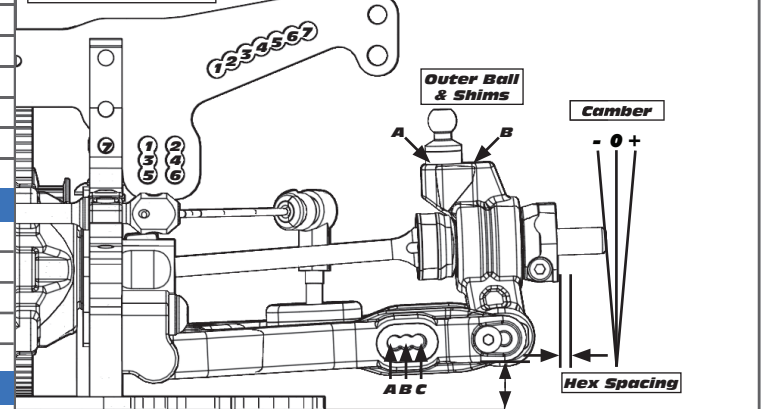
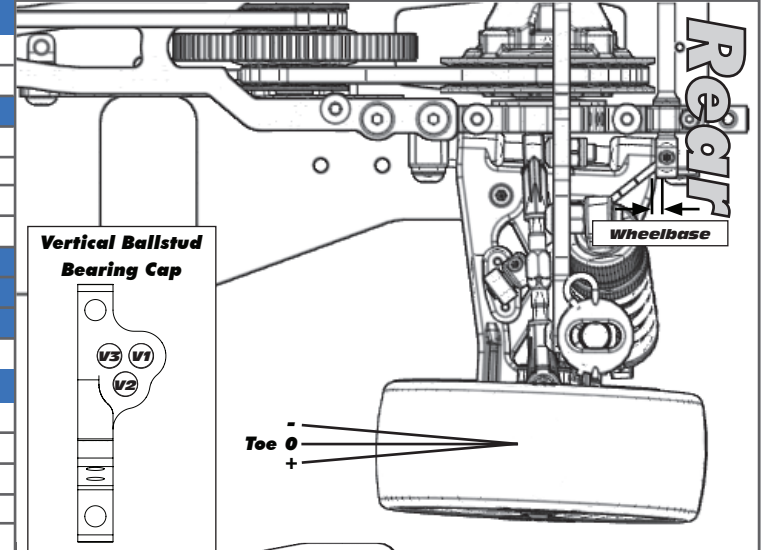
Notes: _____

Chassis

Chassis

Top Plate

Notes: _____



Battery Placement

Notes: _____

Body & Wing

Notes: _____