

Driver: _____

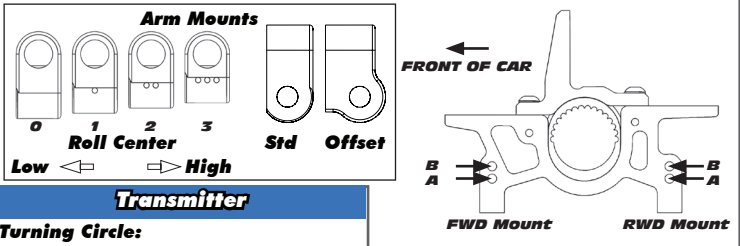
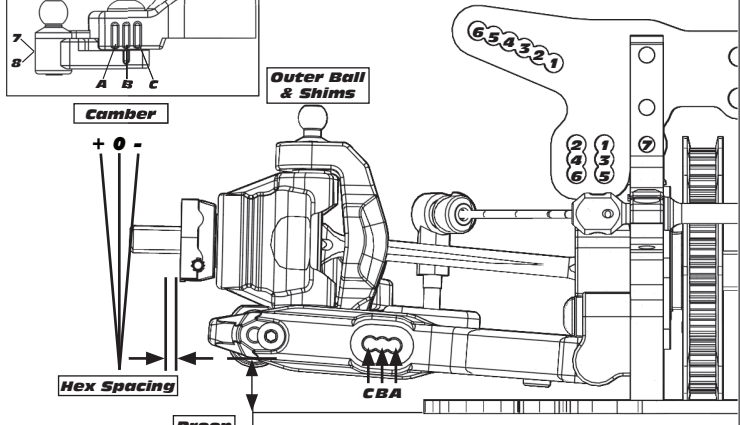
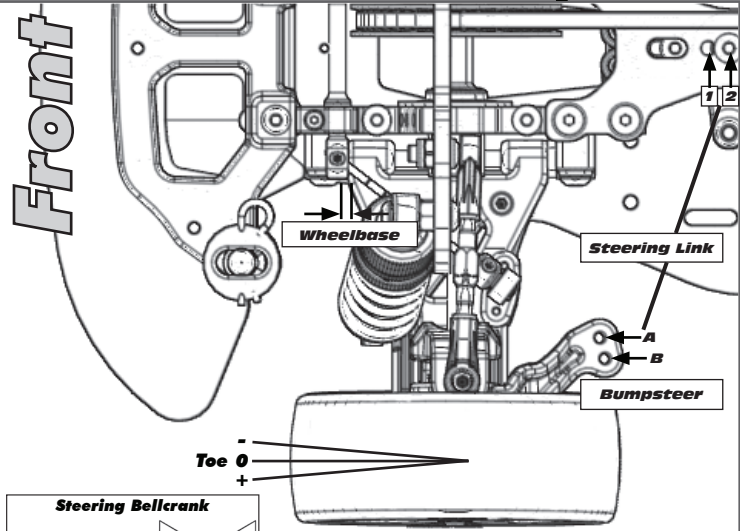
Date: _____

Tracks: _____

Events: _____

Conditions: _____

Rev:2



Transmitter	
Turning Circle:	
Steering Expo:	
Brake E.P.:	
Throttle Expo:	
Motor	

Speed Control	
E.S.C. Type:	
E.S.C. Settings:	S.W. Ver.
Gearing	/

Notes: _____

Notes: _____

Front	Alignment	Rear
	Ride Height	
	Camber	
	Caster	N/A
N/A	Rear Hub Toe	
	Toe (Total)	
	Hex Spacing	
	Wheelbase	
	Steering Bellcrank	N/A
	Steering Link	N/A
	Bumpsteer	N/A

Notes: _____

Suspension Geometry	
	Shock Position
	Camber Link Position
	Inner Ball & Shims
	Outer Ball & Shims
	FWD Arm Mount
	FWD Mount Shim
	RWD Arm Mount
	RWD Mount Shims
	Droop
	Anti-Roll Bar

Notes: _____

Shocks	
	Oil
	Piston
	Rebound
	Spring

Notes: _____

Differentials	
	Type
	Setting
	Cam Holder
	Belt Tension Number

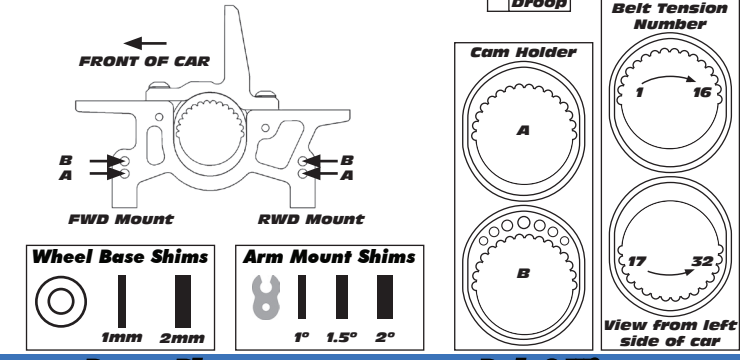
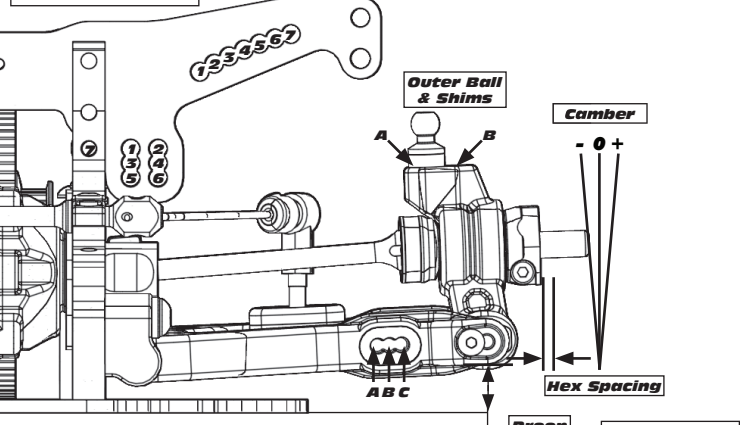
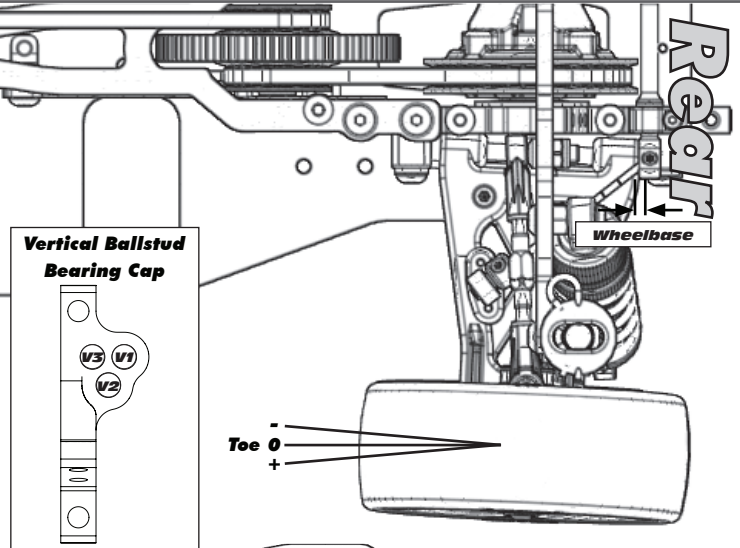
Notes: _____

Tires	
	Type
	Tire Diameter
	Insert & Wheel
	Additive & Amount

Notes: _____

Chassis	
	Chassis
	Top Plate

Notes: _____



Battery Placement	
Wheel Base Shims	Arm Mount Shims
1mm 2mm	1° 1.5° 2°

Body & Wing	
-------------	--

Notes: _____

Notes: _____