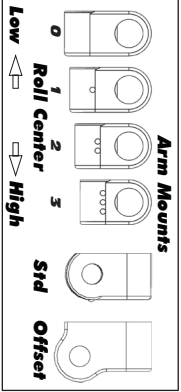
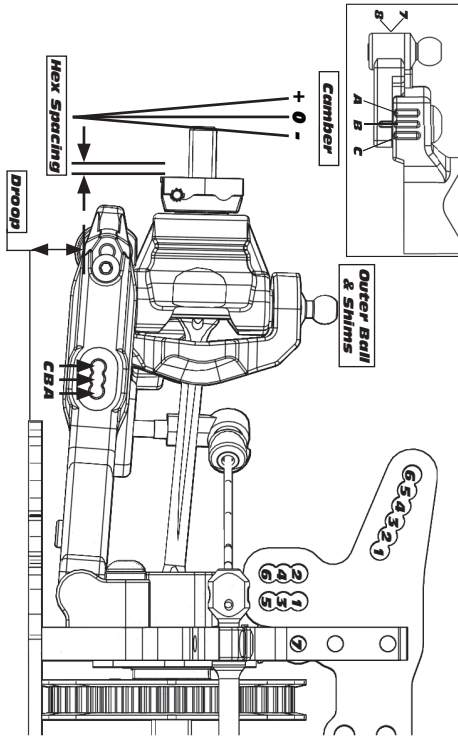
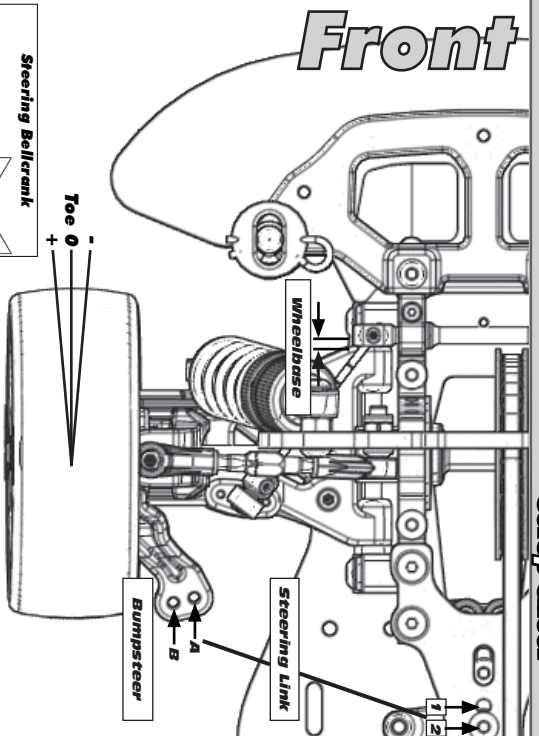


Drivers: _____
Tracks: _____

Conditions: _____

Date: _____
Event: _____

Front

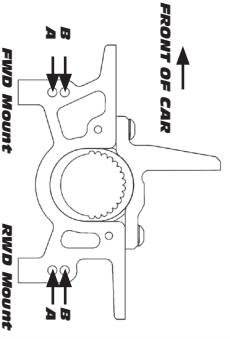


Transmitter

Turning Circle: _____
Steering Expo: _____
Brake E.P. : _____
Throttle Expo: _____

Speed Control

E.S.C. Type: _____
E.S.C. Settings: _____
Motor: _____
Gearing: _____



	Front	Alignment	Rear
Ride Height			
Camber			
Caster			
Rear Hub Toe	N/A		N/A
Toe (Total)			
Hex Spacing			
Wheelbase			
Steering Bellcrank		N/A	
Steering Link		N/A	
Bumpsteer		N/A	

Notes:

Suspension Geometry

- Shock Position
- Camber Link Position
- Outer Ball & Shims
- FWD Arm Mount
- FWD Mount Shim
- RWD Arm Mount
- RWD Mount Shims
- Droop
- Anti-Roll Bar

Notes:

Shocks

- Oil
- Piston
- Rebound
- Spring

Notes:

Differentials

- Type
- Setting
- Cam Holder
- Belt Tension Number

Notes:

Tires

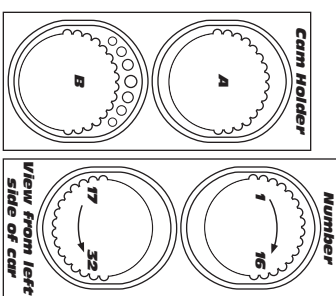
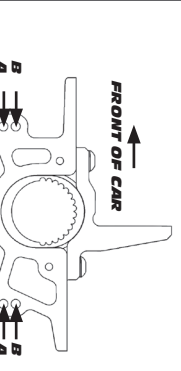
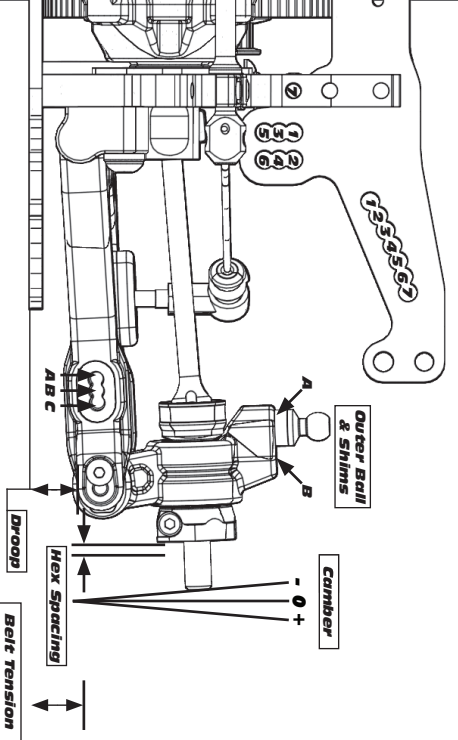
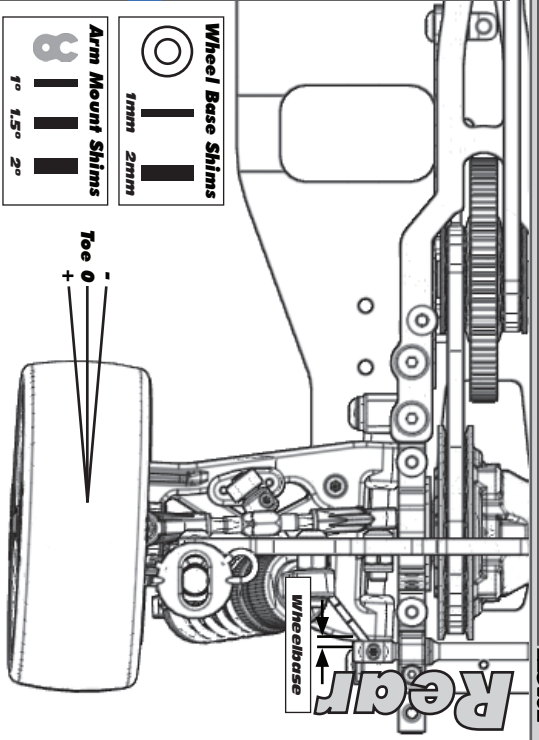
- Type
- Tire Diameter
- Insert & Wheel
- Additive & Amount

Notes:

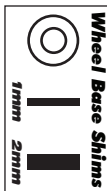
Chassis

Classis _____
Top Plate _____

Rear



Wheel Base Shims



Arm Mount Shims



Battery Placement

Body & Wing

Notes: _____

For more setups, visit Rci10.com and click on "Racing"