

Transmitter	
Turning Circle:	full
Steering Expo:	-15
Brake E.P.:	90%
Throttle Expo:	0

Speed Control	
E.S.C. Type:	
E.S.C. Settings:	S.W. Ver.

Motor	Gearing
reedy 10.5	23 / 87

Chassis	
Top Plate	stock

Notes:

Notes:

Front	Alignment	Rear
6mm	Ride Height	6.2mm
2	Camber	1.5
4	Caster	N/A
N/A	Rear Hub Toe	0
0	Toe (Total)	2.5
0	Hex Spacing	0
2mm	Wheelbase	1mm
7c	Steering Bellcrank	N/A
2b	Steering Link	N/A
black 1mm	Bumpsteer	N/A

Notes:

Suspension Geometry		
3b	Shock Position	2b
v3	Camber Link Position	v3 + a
black + 1.5mm	Inner Ball & Shims	black + 1mm
silver + 1mm	Outer Ball & Shims	silver + 2mm
a3 offset	FWD Arm Mount	b0
1mm	FWD Mount Shim	1mm
a3 offset	RWD Arm Mount	b0 offset
1mm	RWD Mount Shims	1mm
5.5	Droop	4.5
black	Anti-Roll Bar	black

Notes:

Shocks		
45	Oil	30
2	Piston	2
0 drilled top	Rebound	100%
hpl blue	Spring	hpl blue

Notes:

Differentials		
spool	Type	gear
	Setting	1k
a	Cam Holder	a
teeth at top	Belt Tension Number	teeth at top

Notes:

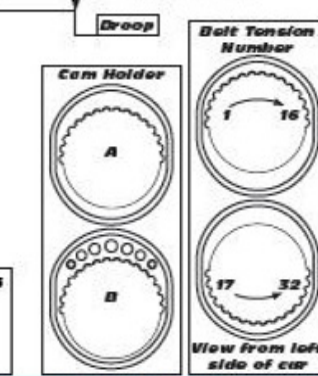
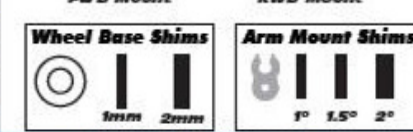
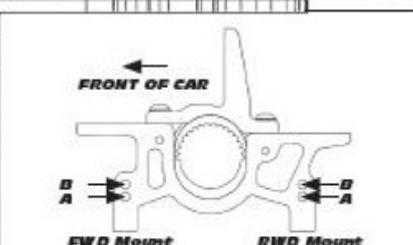
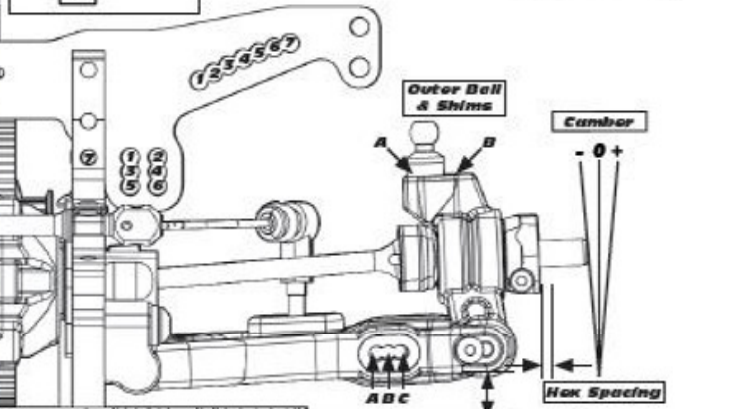
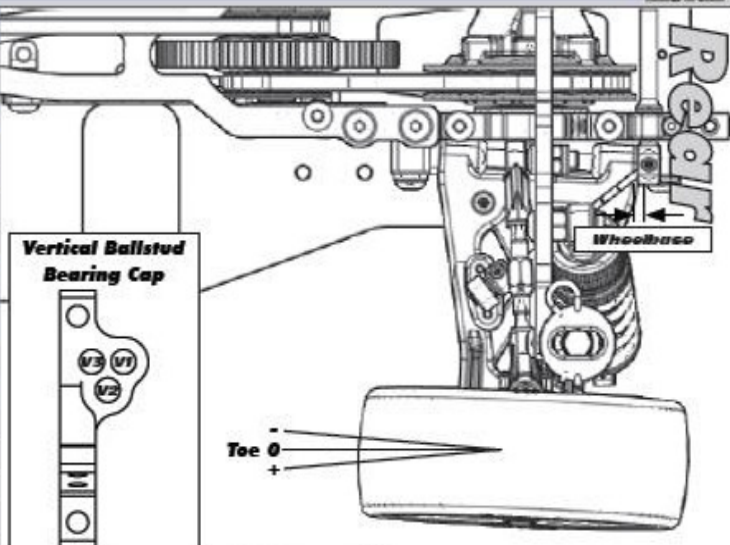
Tires		
sorex brca	Type	sorex brca
	Tire Diameter	
	Insert & Wheel	
	Additive & Amount	

Notes:

Chassis	
test 2.25	

Chassis	
test 2.25	

Notes:



Battery Placement	
back	

Body & Wing	
litor light	

Notes:

Notes: mr33