

**Reset Form** Driver: olly jefferies

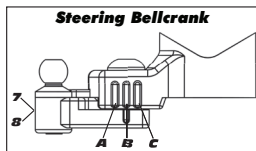
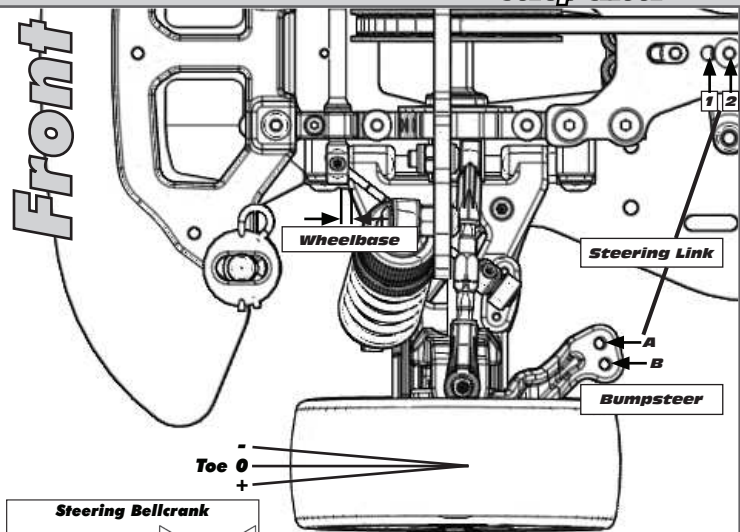
Date: 16th september 12

Tracks Mendip

Event: BRCA rd 5

Conditions: dry, air temp 17c

Rev:2

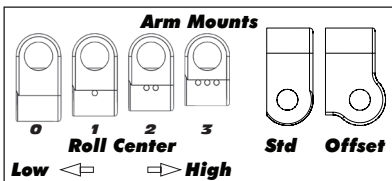


Camber

+ 0 -

Outer Ball & Shims

Droop



FRONT OF CAR

FWD Mount RWD Mount

Transmitter	
Turning Circle:	full
Steering Expo:	-15
Brake E.P.:	90
Throttle Expo:	+15

Motor	Gearing
Reedy Sonic 10.5	27 / 81

Notes: 32' timing

Speed Control	
E.S.C. Type:	LRP Flow
E.S.C. Settings:	2548750 S.W. Ver. 5.0

Notes:

Front	Alignment	Rear
5mm	Ride Height	6mm
1.5	Camber	1.5
6	Caster	N/A
N/A	Rear Hub Toe	0
0	Toe (Total)	2.5
0	Hex Spacing	0
2mm	Wheelbase	1mm
7c	Steering Bellcrank	N/A
1b	Steering Link	N/A
black 1mm	Bumpsteer	N/A

Notes:

Suspension Geometry		
3c	Shock Position	1b
v2	Camber Link Position	v2 A
black 0 shims	Inner Ball & Shims	black + 1mm
silver + 1mm	Outer Ball & Shims	silver + 2mm
A3	FWD Arm Mount	B0
1.5mm	FWD Mount Shim	0
A3	RWD Arm Mount	B0
1mm	RWD Mount Shims	0
6.5	Droop	5.5
silver	Anti-Roll Bar	black

Notes:

Shocks		
35wt	Oil	35wt
losi 57	Piston	losi 57
0%	Rebound	100%
HPI silver	Spring	HPI blue

Notes: Drilled caps in front only, RSD bladders

Differentials		
spool	Type	gear
	Setting	1k
a	Cam Holder	a
teeth at top	Belt Tension Number	teeth at top

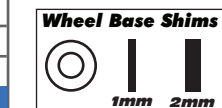
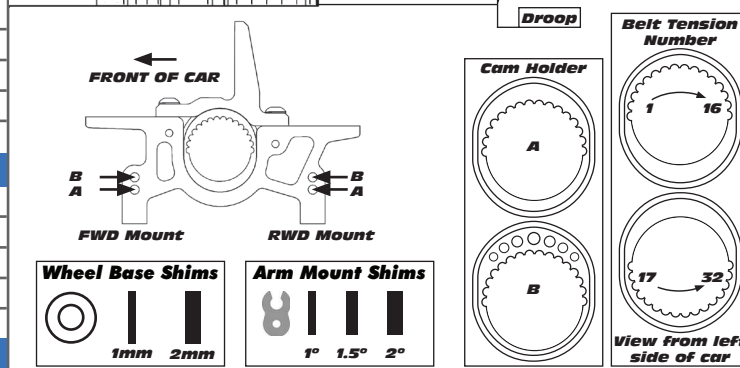
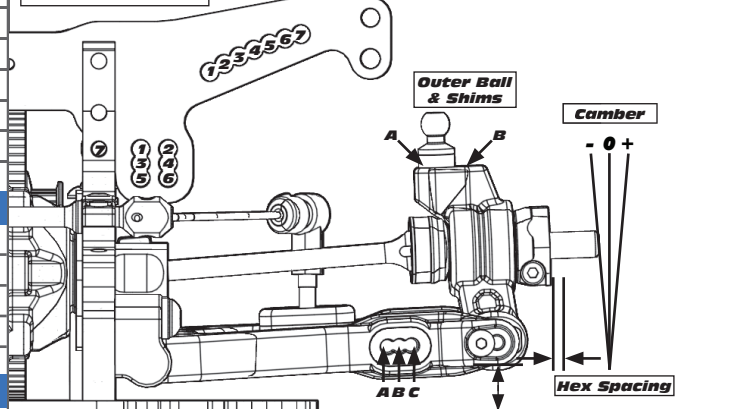
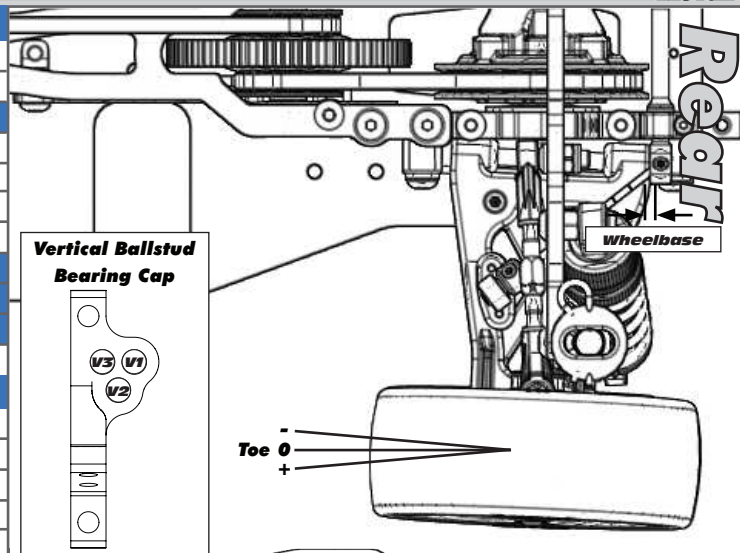
Notes:

Tires		
sorex 32	Type	sorex 32
	Tire Diameter	
	Insert & Wheel	
Tweak	Additive & Amount	Tweak

Notes:

Chassis	
Chassis	kit 2mm
Top Plate	kit

Notes: b/h screws removed on top deck



Battery Placement	Body & Wing
back	LTCR Lightweight
Notes: Reedy 601	Notes: MR33 wing