

Camber

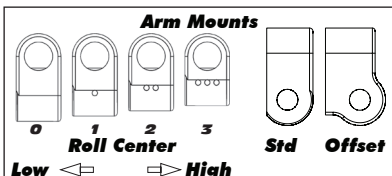
Outer Ball & Shims

+ 0 -

Hex Spacing

Droop

CBA



FRONT OF CAR

FWD Mount

RWD Mount

Transmitter	
Turning Circle:	100%
Steering Expo:	-15
Brake E.P.:	+15%
Throttle Expo:	0

Motor	Gearing
REEDY MACH 2 5.0	24 / 87

Notes: 17 DEGREES TIMING

### Speed Control

E.S.C. Type:	LRP FLOW
E.S.C. Settings:	21243004 S.W. Ver. 4.0

Notes:

Front	Alignment	Rear
6MM	Ride Height	6MM
1.5	Camber	2
4	Caster	N/A
N/A	Rear Hub Toe	0
0	Toe (Total)	2.5
0	Hex Spacing	0
1MM	Wheelbase	1MM
7B	Steering Bellcrank	N/A
2A	Steering Link	N/A
BLACK NO SHIM	Bumpsteer	N/A

Notes:

### Suspension Geometry

3B	Shock Position	2B
V1	Camber Link Position	V2 A
BLACK 2MM	Inner Ball & Shims	BLACK 0MM
SILVER 1MM	Outer Ball & Shims	SILVER 2MM
3A OFFSET	FWD Arm Mount	3A
0	FWD Mount Shim	1MM
3A OFFSET	RWD Arm Mount	3A OFFSET
0	RWD Mount Shims	1MM
4	Droop	3.5
SILVER	Anti-Roll Bar	SILVER

Notes:

### Shocks

32.5	Oil	32.5
3 X 1.1	Piston	3 X 1.1
0	Rebound	0
RSD RED	Spring	RSD BLUE

Notes:

### Differentials

SPOOL	Type	GEAR
N/A	Setting	35WT
A	Cam Holder	A
13	Belt Tension Number	8

Notes:

### Tires

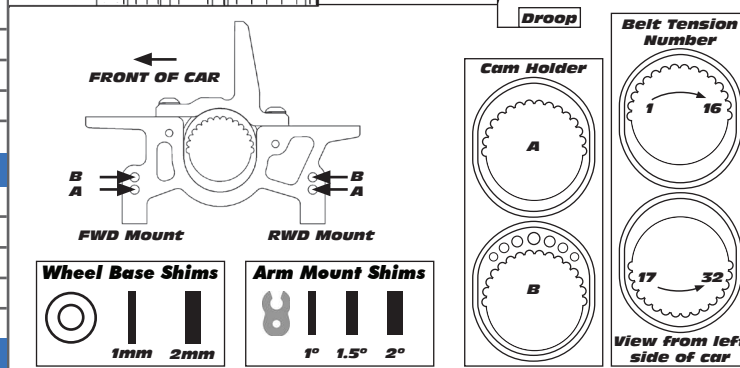
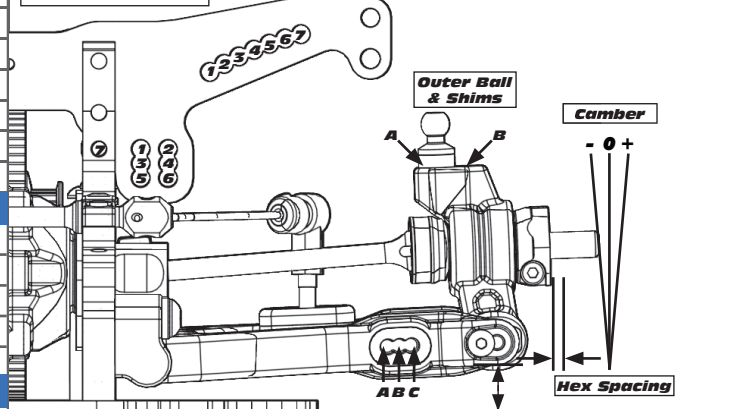
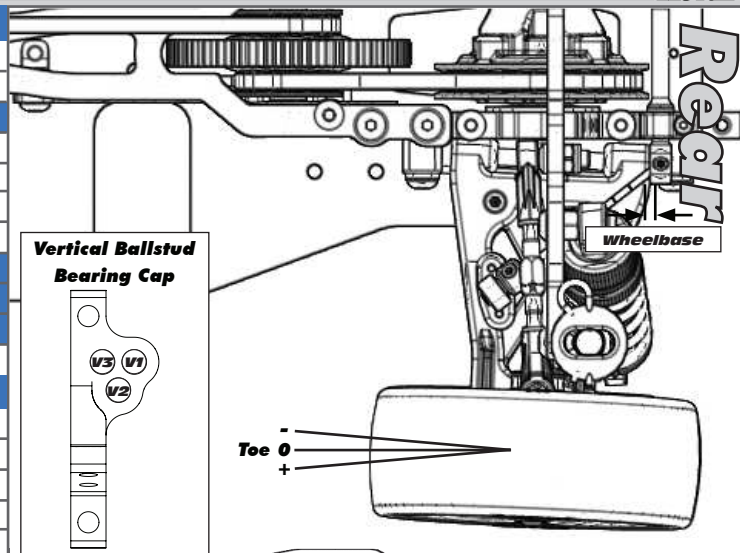
SOREX 32	Type	SOREX 32
	Tire Diameter	
BRCA	Insert & Wheel	BRCA
TWEAK	Additive & Amount	TWEAK

Notes:

### Chassis

Chassis	STOCK
Top Plate	STOCK

Notes: B/H SCREWS REMOVED IN TOP DECK



Battery Placement	Body & Wing
REAR	PROTOFORM LIGHTWEIGHT SPEED 6

Notes: #309 LIPO

Notes: LIGHTWEIGHT