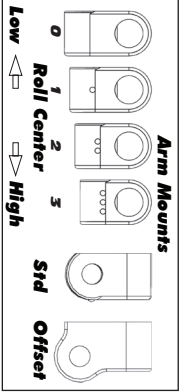
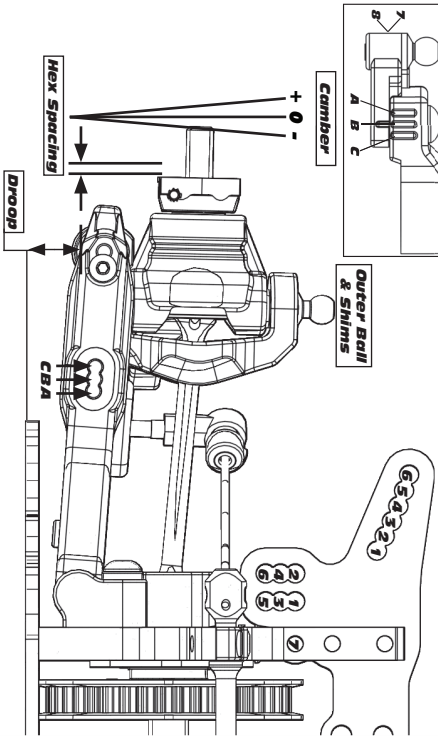
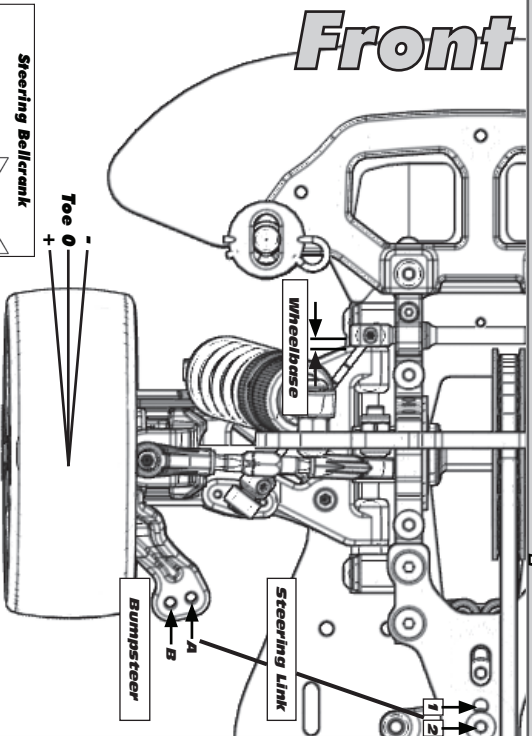


Drivers: _____
Tracks: _____

Conditions: _____

Event: _____

Front



Transmitter

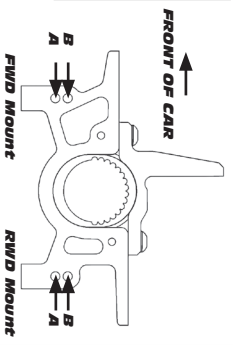
Turning Circle: _____
Steering Expo: _____

Brake E.P.: _____

Throttle Expo: _____

Motor

Speed Control



E.S.C. Type: _____

E.S.C. Settings: _____ S.W. Ver. _____

Gearing

Notes: _____

Notes: _____

For more setups, visit Rci10.com and click on "Racing"

Front	Alignment	Rear
	Ride Height	
	Camber	
N/A	Caster	N/A
	Rear Hub Toe	
	Toe (Total)	
	Hex Spacing	
	Wheelbase	
	Steering Bellcrank	N/A
	Steering Link	N/A
	Bumpsteer	N/A

Notes: _____

Suspension Geometry

Shock Position _____
Camber Link Position _____
Outer Ball & Shims _____
FWD Arm Mount _____
FWD Mount Shim _____
RWD Arm Mount _____
RWD Mount Shims _____
Droop _____
Anti-Roll Bar _____

Notes: _____

Shocks

Oil _____
Piston _____
Rebound _____
Spring _____

Notes: _____

Differentials

Type _____
Setting _____
Cam Holder _____
Belt Tension Number _____

Notes: _____

Tires

Type _____
Tire Diameter _____
Insert & Wheel _____
Additive & Amount _____

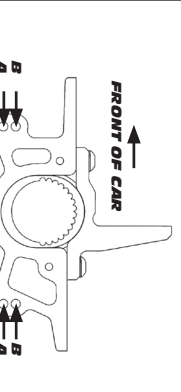
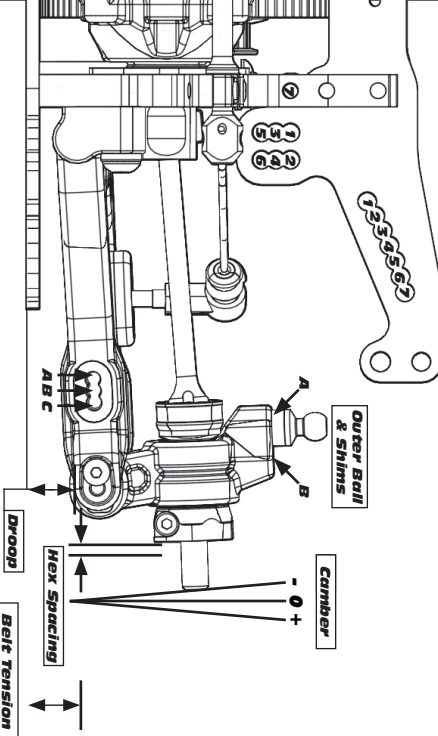
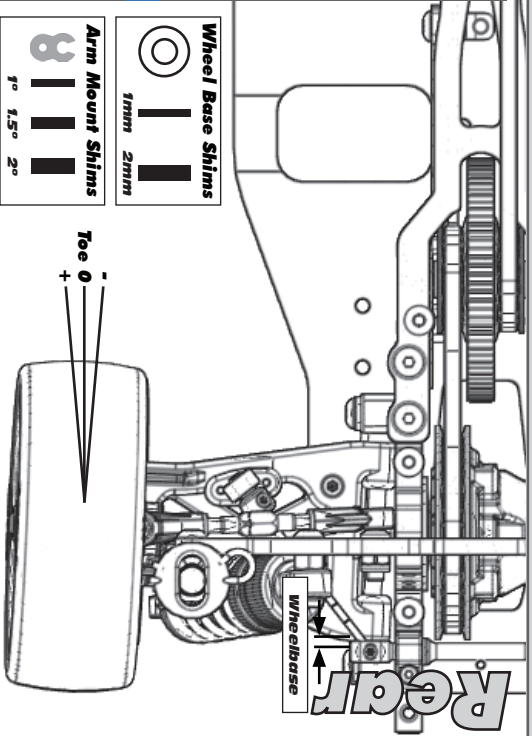
Notes: _____

Chassis

Classis _____
Top Plate _____

Notes: _____

Rear



Transmitter

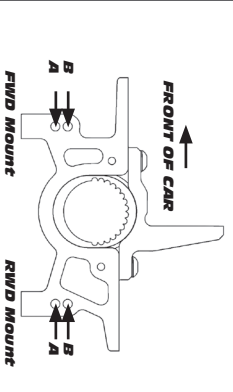
Turning Circle: _____
Steering Expo: _____

Brake E.P.: _____

Throttle Expo: _____

Battery Placement

Speed Control



E.S.C. Type: _____

E.S.C. Settings: _____ S.W. Ver. _____

Body & Wing

Notes: _____

Notes: _____

