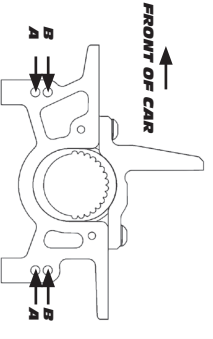
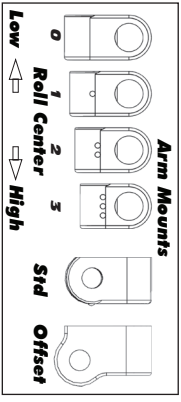
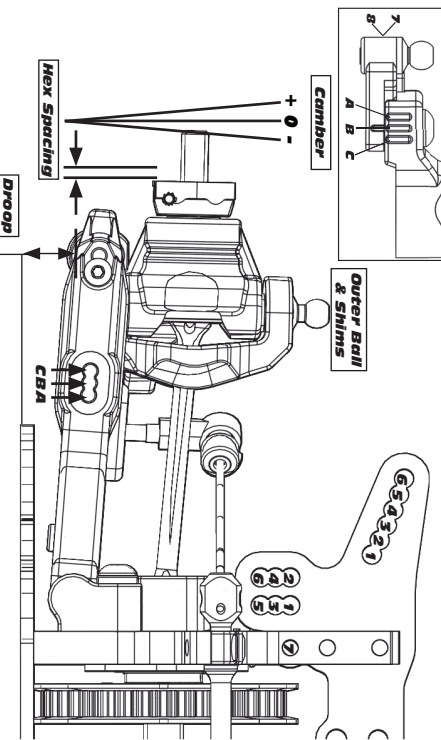
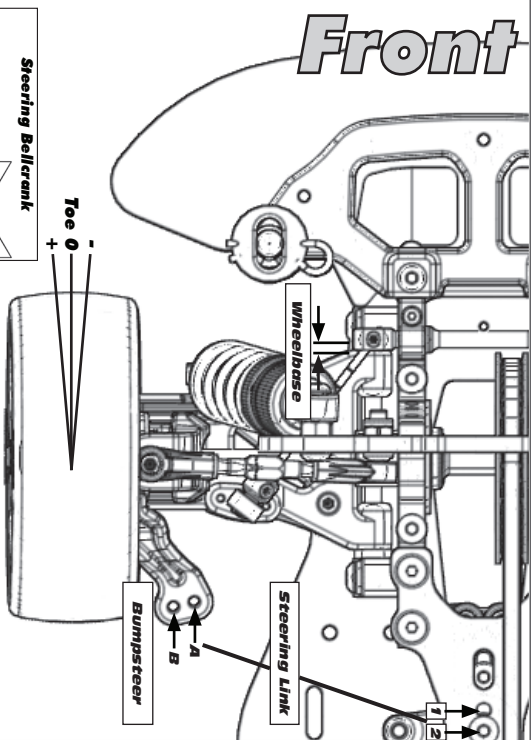


Drivers \_\_\_\_\_  
Tracks \_\_\_\_\_

Conditions: \_\_\_\_\_

Date: \_\_\_\_\_  
Event: \_\_\_\_\_

### Front



Turning Circle:	
Steering Expo:	
Brake E.P.:	
Throttle Expo:	
<b>Motor</b>	
<b>E.S.C. Type:</b>	
<b>E.S.C. Settings:</b>	
<b>S.W. Ver.</b>	
<b>Gearing</b>	
Notes:	

Front	Alignment	Rear
	Ride Height	
	Camber	
N/A	Caster	N/A
	Rear Hub Toe	
	Toe (Total)	
	Hex Spacing	
	Wheelbase	
	Steering Bellcrank	N/A
	Steering Link	N/A
	Bumpsteer	N/A

#### Suspension Geometry

Shock Position	
Camber Link Position	
Outer Ball & Shims	
FWD Arm Mount	
FWD Mount Shim	
RWD Arm Mount	
RWD Mount Shims	
Droop	
Anti-Roll Bar	

#### Shocks

Oil	
Piston	
Rebound	
Spring	

#### Differentials

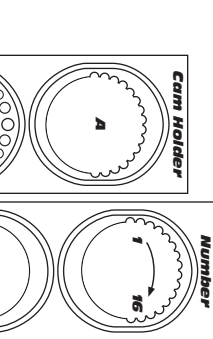
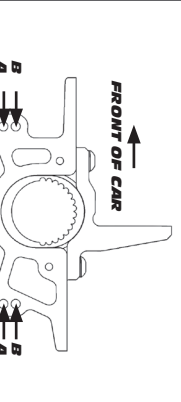
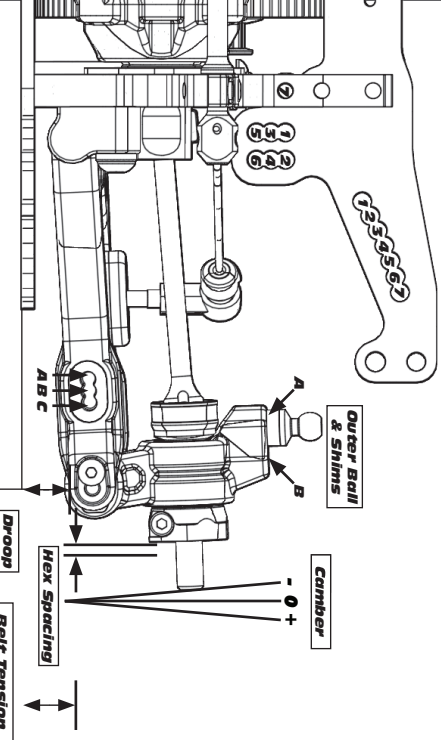
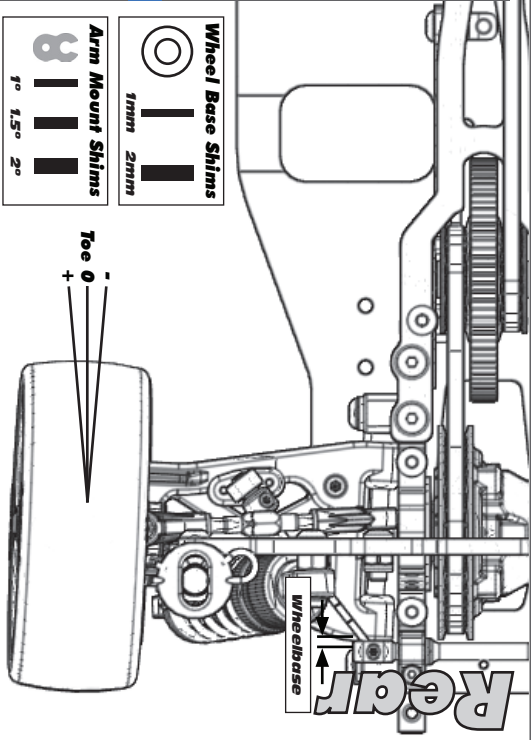
Type	
Setting	
Cam Holder	
Belt Tension Number	

#### Tires

Type	
Tire Diameter	
Insert & Wheel	
Additive & Amount	

Notes:	
<b>Chassis</b>	
<b>Top Plate</b>	
Notes:	

### Rear



Notes:	
<b>Chassis</b>	
<b>Battery Placement</b>	
Notes:	
<b>Body &amp; Wing</b>	
Notes:	