

Driver: _____

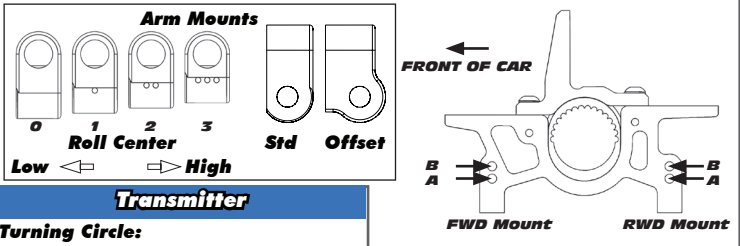
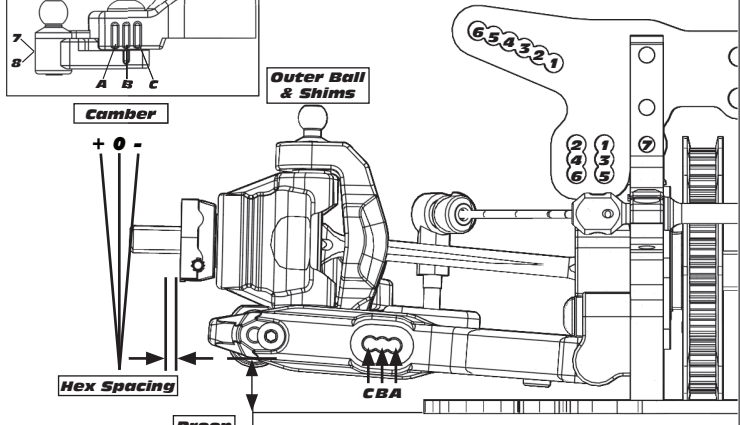
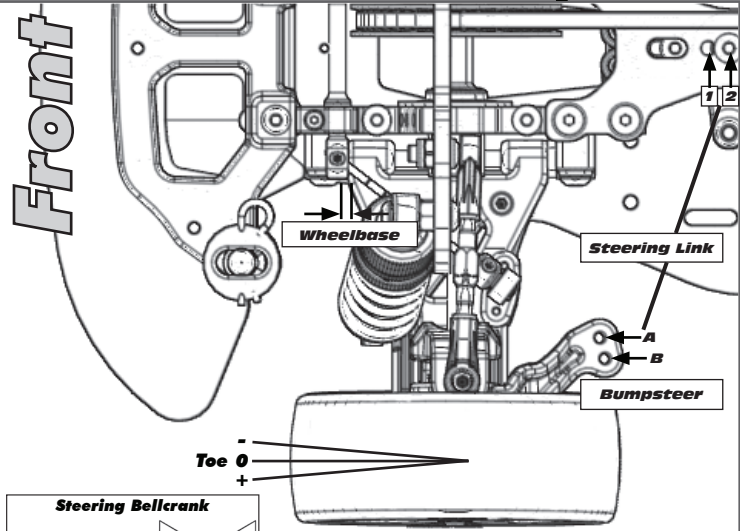
Date: _____

Tracks: _____

Events: _____

Conditions: _____

Rev:2



Transmitter	
Turning Circle:	
Steering Expo:	
Brake E.P.:	
Throttle Expo:	
Motor	Gearing
	/
Notes:	Notes:

Front	Alignment	Rear
	Ride Height	
	Camber	
	Caster	N/A
N/A	Rear Hub Toe	
	Toe (Total)	
	Hex Spacing	
	Wheelbase	
	Steering Bellcrank	N/A
	Steering Link	N/A
	Bumpsteer	N/A

Notes:

Suspension Geometry
Shock Position
Camber Link Position
Inner Ball & Shims
Outer Ball & Shims
FWD Arm Mount
FWD Mount Shim
RWD Arm Mount
RWD Mount Shims
Droop
Anti-Roll Bar

Notes:

Shocks
Oil
Piston
Rebound
Spring

Notes:

Differentials
Type
Setting
Cam Holder
Belt Tension Number

Notes:

Tires
Type
Tire Diameter
Insert & Wheel
Additive & Amount

Notes:

Chassis
Chassis
Top Plate
Notes:

