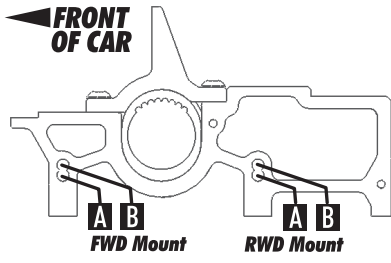
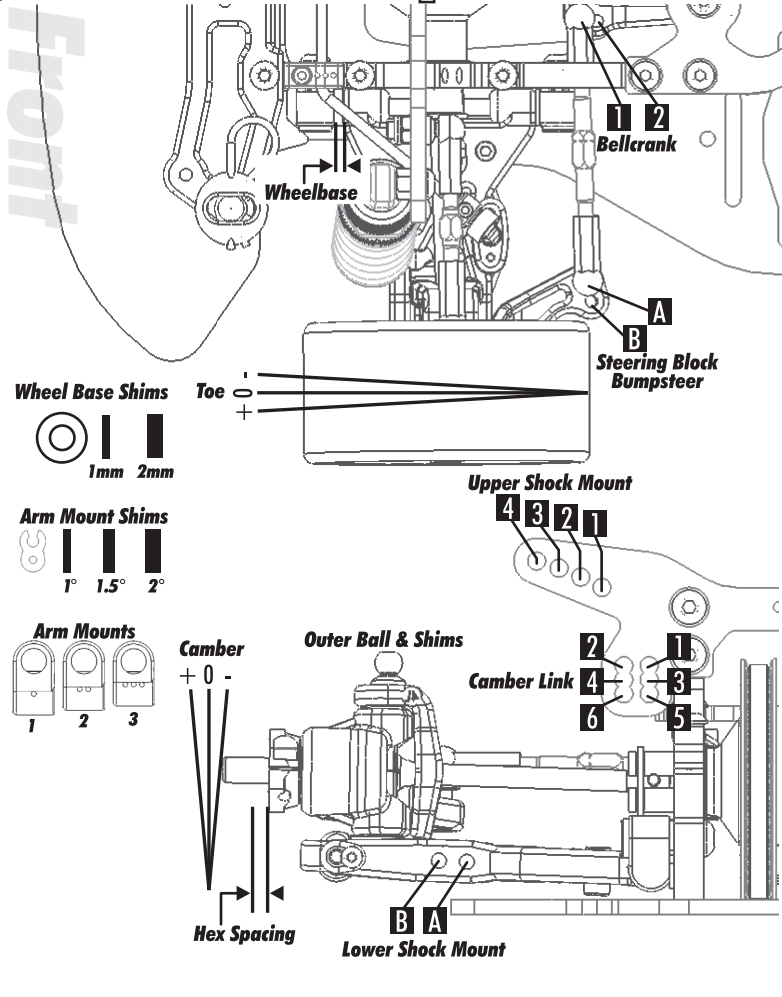


# TC5 FACTORY Team Setup Data

Name: \_\_\_\_\_ Date: \_\_\_\_\_  
 Event: \_\_\_\_\_ Track: \_\_\_\_\_  
 Conditions: **RUBBER TIRE KIT SETTINGS**

For Team Driver's setups, please visit [www.RC10.com](http://www.RC10.com) or [www.TeamAssociated.com](http://www.TeamAssociated.com)!



Front	Alignment	Rear
5.0mm	Ride Height	5.0mm
- 1.5 deg	Camber	- 2.0 deg
4 deg	Caster	N/A
N/A	Rear Hub Toe	-
- 1.5 deg	Toe (Total)	- 3 deg
-	Hex Spacing	-
2mm	Wheelbase	2mm
1 B	Steering Link	N/A
Silver + 0	Bumpsteer	N/A

Notes:

Suspension Geometry		
2 B	Shock Position	3 B
3	Camber Link Position	3 A
Black + 0	Outer Ball & Shims	Black + 1mm
2 A	FWD Arm Mount	2 A
-	FWD Mount Shims	-
2 A	RWD Arm Mount	2 A
-	RWD Mount Shims	3 deg
6	Droop	4
1.50mm	Anti-Roll Bar	1.25mm

Notes:

Shocks		
35 wt	Oil	35 wt
# 2	Piston	# 2
No Rebound	Rebound	No Rebound
Blue	Spring	Silver

Notes:

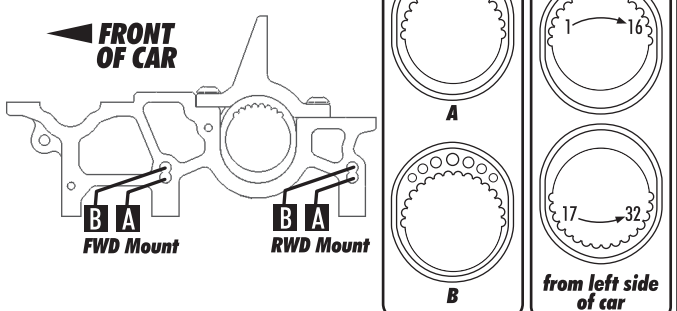
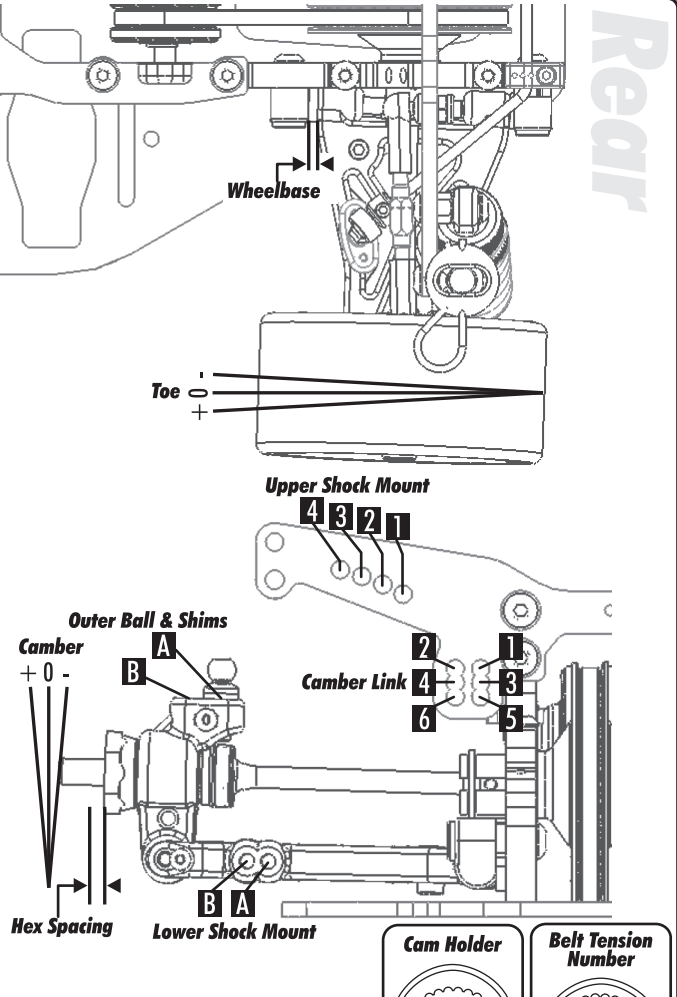
Differentials		
Spool	Type	Alum. Diff
-	Setting	1/8 loose
A	Cam Holder	A
4	Belt Tension Number	11

Notes:

Tires		
-	Tire	-
-	Tire Diameter	-
-	Insert & Wheel	-
Inside 3/4	Additive & Amount	Full

Notes:

Chassis		
Chassis: ITF		
Top Plate: ITF		
Notes:		



Transmitter	
Turning Circle:	3.5 ft
Steering Expo:	-
Brake E.P. :	-
Throttle Expo:	-
Speed Control	
S.C. Type:	-
S.C. Settings:	-

Motor	Gear	Notes
-	- / -	-

Body & Wing	Battery
-	-