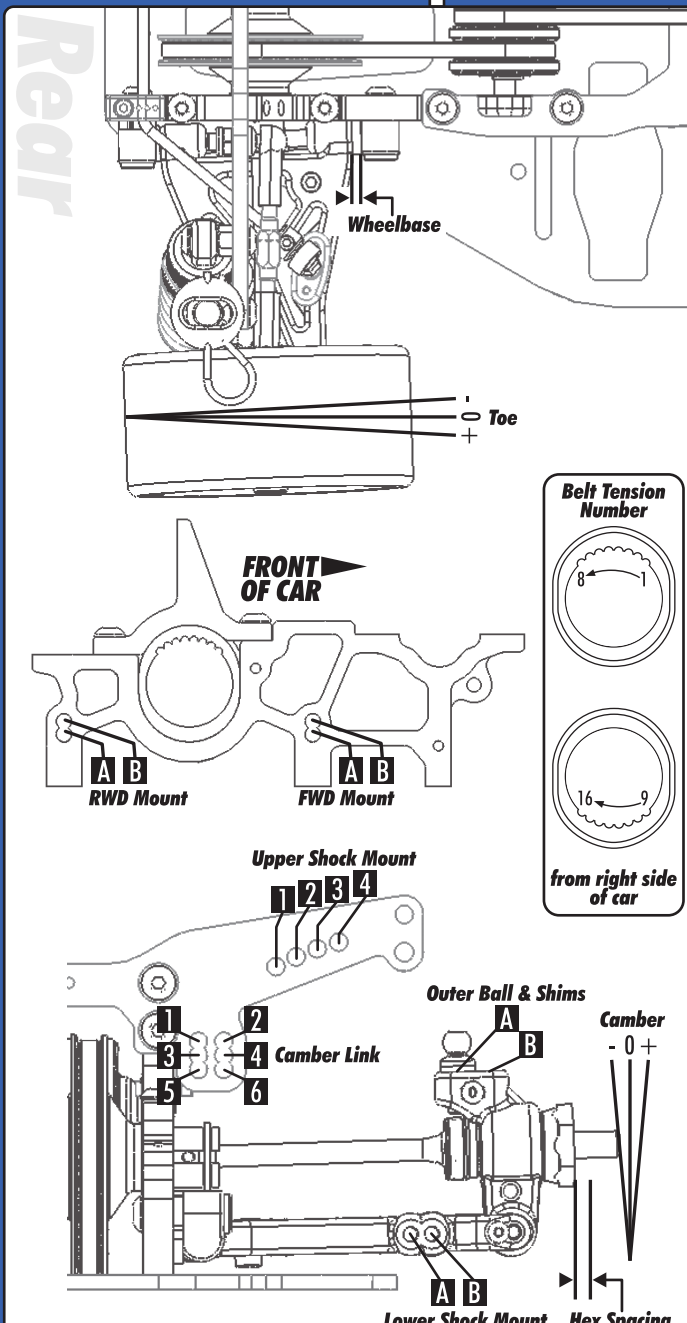


**Name:** TOMMI TORIKKA  
**Event:** REEDY TOURING CAR RACE  
**Conditions:** OUTDOOR ASPHALT, RUBBER TIRES  
**Date:** 5/27/07  
**Track:** TAMIYA USA

**For Team Driver's setups, please visit [www.RC10.com](http://www.RC10.com), [www.TeamAssociated.com](http://www.TeamAssociated.com)!**



Rear	Alignment	Front
5.0mm	Ride Height	5.0mm
-1.5°	Camber	-1.5°
N/A	Caster	4°
0°	Rear Hub Toe	N/A
-2.5°	Toe	0°
0.5mm	Hex Spacing	0
2mm	Wheelbase	2mm
N/A	Steering Link	1A
N/A	Bumpsteer	2mm-Silver

Notes:

Diff	Type	Spool
1/8 turn open	Setting	---
8A	Belt Tension Number	1A
A	Cam Holder	A

Notes:

RP-30	Tires	RP-30
	Tire	
	Tire Diameter	
	Insert & Wheel Additive & Amount	

Notes:

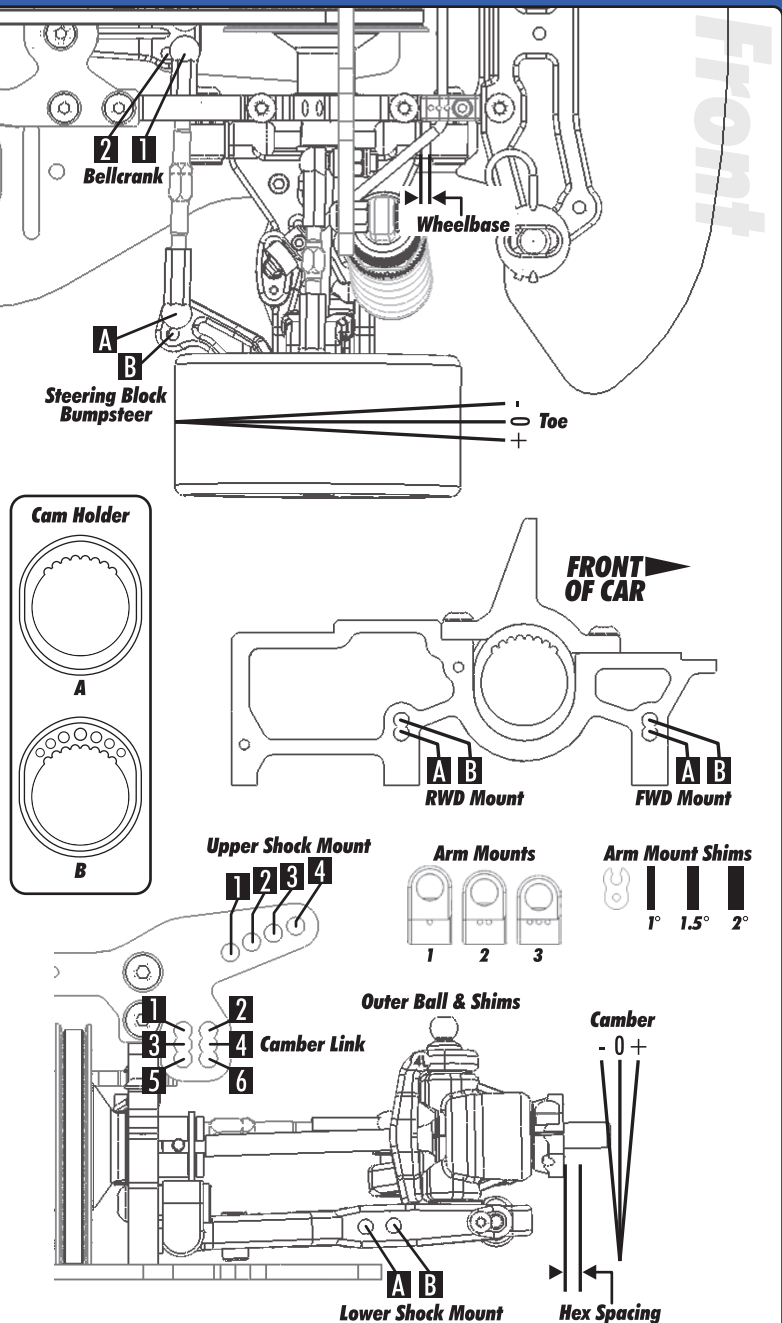
35wt	Shocks	35wt
#3	Oil	#3
50%	Piston	50%
Silver	Rebound	Gold
	Spring	

Notes:

Chassis:	ITF
Top Plate:	ITF

3B	Suspension Geometry	2B
5A	Shock Position	3
Black-2mm	Camber Link Position	Black-0
3A	Outer Ball & Shims	Black-0
0	FWD Arm Mount	2A
3A	FWD Mount Shims	0
2.5°	RWD Arm Mount	2A
5	RWD Mount Shims	0
---	Drop	6
---	Anti-Roll Bar	---

Notes:



**Body & Wing**  
MAZDA 6 L.W.

**Battery**  
5-CELL FWD

Motor	Gear	Brush	Spring	Timing
LRP X11 3.5T	21/89			