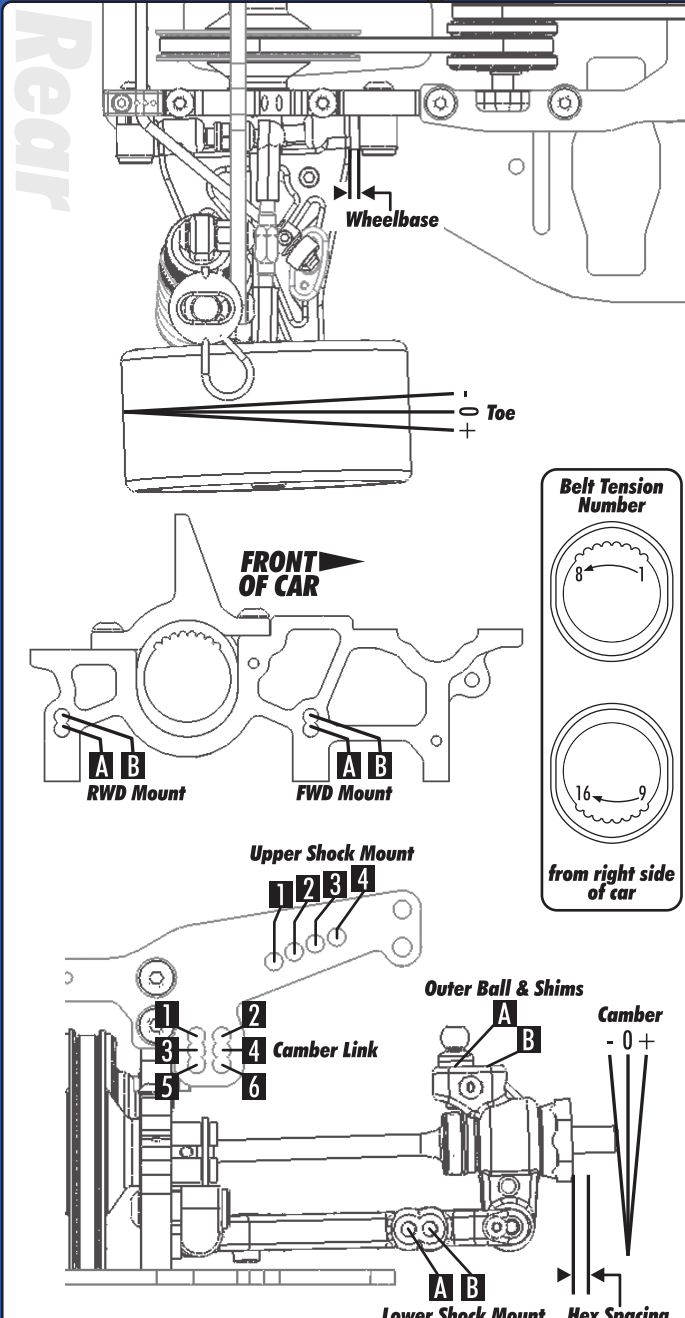


**Name:** BRENT THIELKE  
**Event:** REEDY TOURING CAR RACE  
**Conditions:** OUTDOOR ASPHALT, RUBBER TIRES

**Date:** 5/27/07  
**Track:** TAMIYA USA

For Team Driver's setups, please visit [www.RC10.com](http://www.RC10.com), [www.TeamAssociated.com](http://www.TeamAssociated.com)!



Rear	Alignment	Front
5mm	Ride Height	5mm
-1.5°	Camber	-1.5°
N/A	Caster	4°
0.5°	Rear Hub Toe	N/A
3.0°	Toe	0°
0.5mm	Hex Spacing	0.5mm
2mm	Wheelbase	1mm
N/A	Steering Link	1A
N/A	Bumpsteer	2mm-Silver

Notes:

Diff	Type	Spool
Standard	Setting	---
7	Belt Tension Number	10
A	Cam Holder	A

Notes:

RP-30	Tires	RP-30
	Tire	
	Tire Diameter	
	Insert & Wheel Additive & Amount	

Notes:

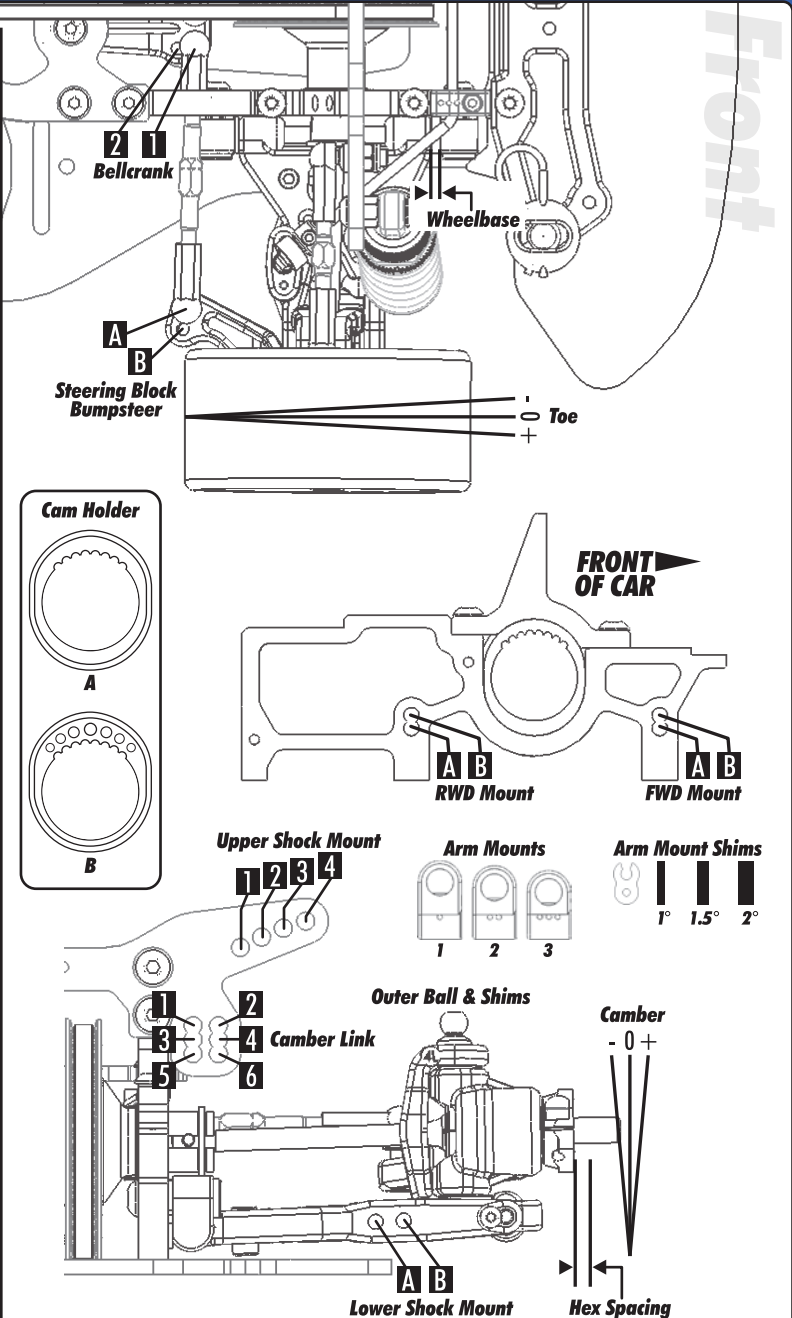
40wt	Shocks	40wt
#3	Oil	#3
10%	Piston	10%
Silver	Rebound	10%
	Spring	Blue

Notes:

Chassis:	ITF
Top Plate:	ITF

	Suspension Geometry	
3B	Shock Position	3B
3A	Camber Link Position	3
Black-2mm	Outer Ball & Shims	Black-0
3A	FWD Arm Mount	1A
0	FWD Mount Shims	0
3A	RWD Arm Mount	2A
2.5°	RWD Mount Shims	0
5	Droop	5.5
N/A	Anti-Roll Bar	N/A

Notes:



**Body & Wing**  
 PROTOFORM MAZDA 6, L.W.

**Battery**  
 REEDY 4200 5-CELL

Motor	Gear	Brush	Spring	Timing
LRP 3.5	21 / 87	---	---	---