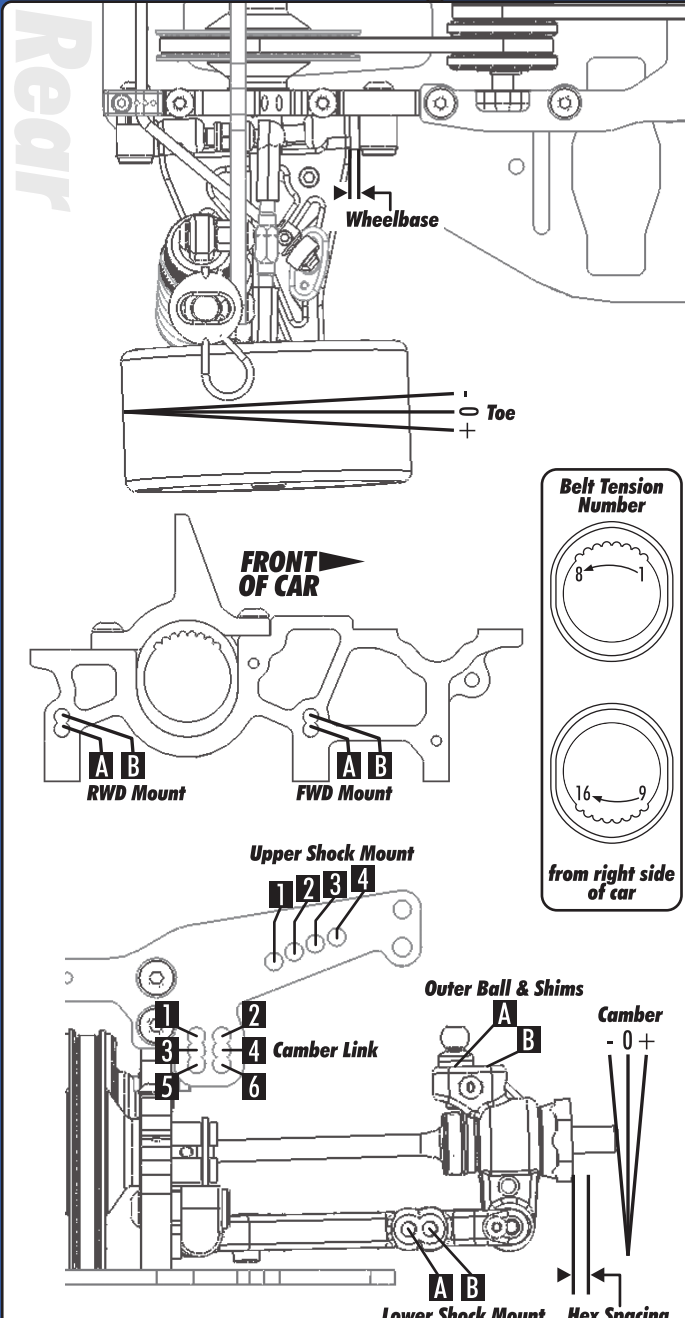


Name: KYLE SKIDMORE
Event: REEDY TOURING CAR RACE
Conditions: OUTDOOR ASPHALT, RUBBER TIRES

Date: 5/27/07
Track: TAMIYA USA

For Team Driver's setups, please visit www.RC10.com, www.TeamAssociated.com!



Rear	Alignment	Front
5.2mm	Ride Height	5mm
-1.5°	Camber	-1.5°
N/A	Caster	4°
0°	Rear Hub Toe	N/A
2.5°	Toe	0°
0	Hex Spacing	0.5mm
2mm	Wheelbase	1mm
N/A	Steering Link	1A
N/A	Bumpsteer	3mm

Notes:

Differentials		
STD	Type	Spool
STD	Setting	---
7	Belt Tension Number	1
A	Cam Holder	A

Notes:

Tires		
Handout	Tire	Handout
	Tire Diameter	
	Insert & Wheel Additive & Amount	

Notes:

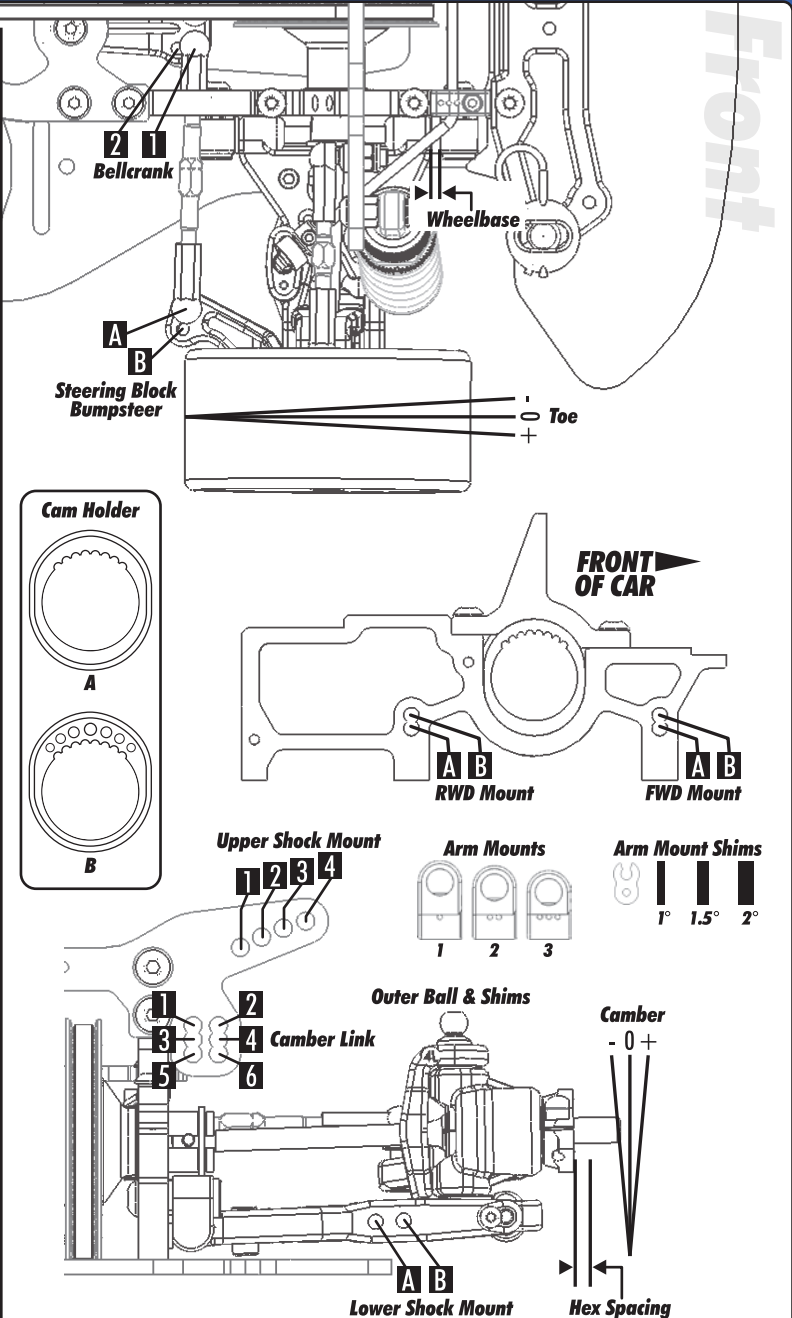
Shocks		
35wt	Oil	35wt
#3	Piston	#3
no foam	Rebound	no foam
Silver	Spring	Gold

Notes:

Chassis	
Chassis:	ITF
Top Plate:	ITF

Suspension Geometry		
3B	Shock Position	2B
1	Camber Link Position	3
A-2mm	Outer Ball & Shims	STD
3A	FWD Arm Mount	2A
0	FWD Mount Shims	1
3A	RWD Arm Mount	2A
2.5°	RWD Mount Shims	0
5	Droop	5.5
---	Anti-Roll Bar	---

Notes: Speedo 2-3-1-2



Body & Wing
 PROTOFORM MAZDA 6

Battery
 REEDY VMX 4200

Motor	Gear	Brush	Spring	Timing
LRP X11 3.5T	21/87			