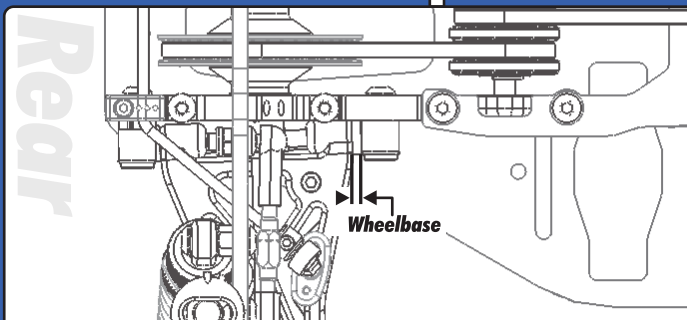


Name: RYAN CAVALIERI
Event: REEDY TOURING CAR RACE
Conditions: OUTDOOR ASPHALT, RUBBER TIRES

Date: 5/27/07
Track: TAMIYA USA

For Team Driver's setups, please visit www.RC10.com, www.TeamAssociated.com!



Rear	Alignment	Front
5mm	Ride Height	5mm
-1.5°	Camber	-1.5°
N/A	Caster	4°
1°	Rear Hub Toe	N/A
-3°	Toe	0°
0.5mm	Hex Spacing	0.5mm
2mm	Wheelbase	1mm
N/A	Steering Link	1A
N/A	Bumpsteer	2mm-Silver

Notes:

Differentials

Diff	Type	Spool
Standard	Setting	---
7	Belt Tension Number	10
A	Cam Holder	A

Notes:

Tires

RP-30	Tire	RP-30
	Tire Diameter	
	Insert & Wheel Additive & Amount	

Notes:

Shocks

40wt	Oil	40wt
#2	Piston	#2
10%	Rebound	10%
Silver	Spring	Gold

Notes:

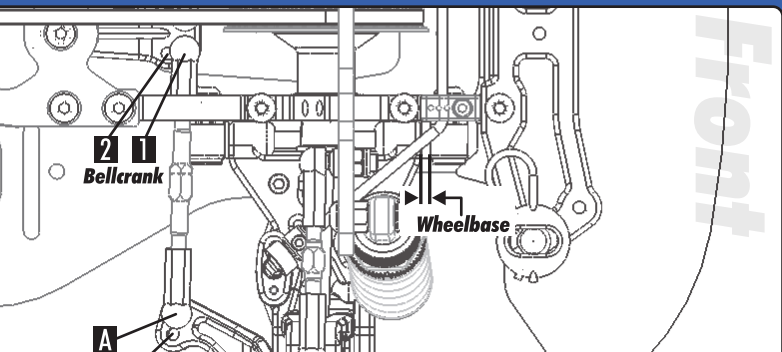
Chassis

Chassis:	ITF
Top Plate:	ITF
Notes:	4 O-Rings on top deck

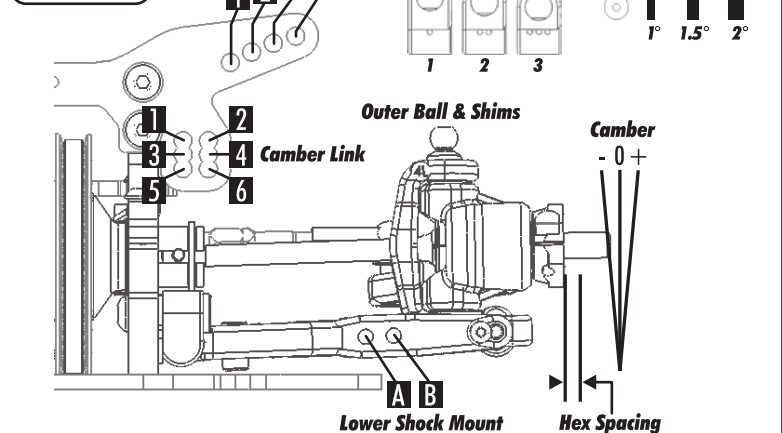
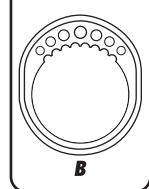
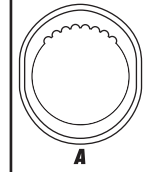
Suspension Geometry

3B	Shock Position	2B
3A	Camber Link Position	3
Black-2mm	Outer Ball & Shims	Black-0
3A	FWD Arm Mount	2A
0	FWD Mount Shims	0
3A	RWD Arm Mount	3A
2°	RWD Mount Shims	0
5	Droop	5.5
N/A	Anti-Roll Bar	N/A

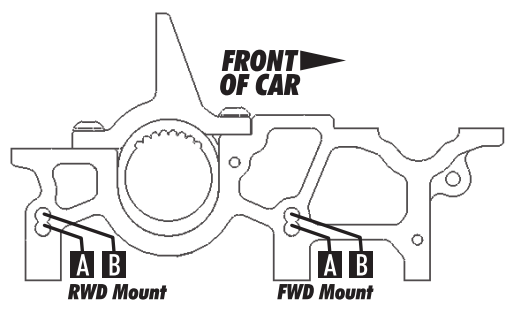
Notes:



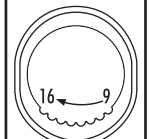
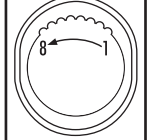
Cam Holder



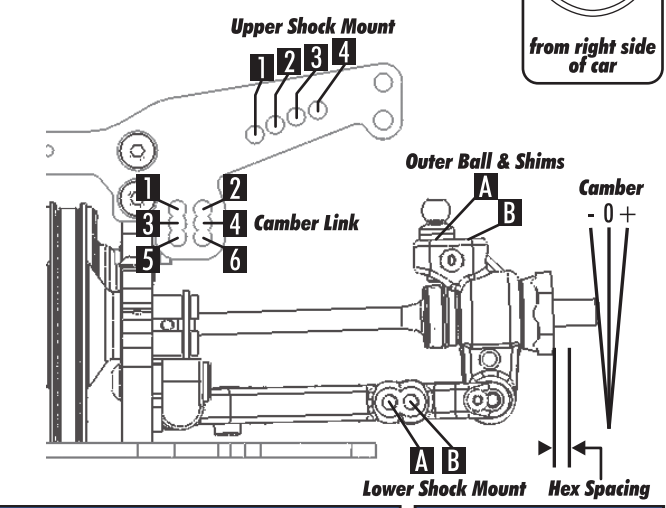
Motor	Gear	Brush	Spring	Timing
ORION 7X1	27 / 114	SPRINT	OJ 3.8	4mm



Belt Tension Number



from right side of car



Body & Wing
PROTOFORM MAZDA 6, L.W.

Battery
ORION 4200 6-CELL