

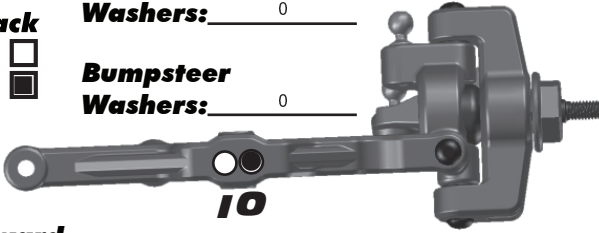
Front Suspension

Steering Rack
Standard
Option

Washers: _____ 0

Bumpsteer
Washers: _____ 0

Option
Rack



Forward
Back

Anti Roll Bar:

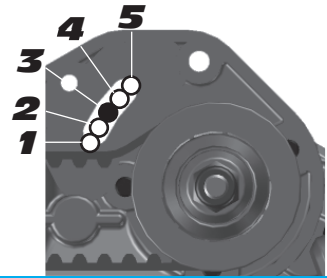
1.5mm
1.8mm
2.0mm
2.2mm
None



Camber: _____ -1

Toe: _____ -1/2

Ride Height: _____ 23 mm



Washers: _____ 2 mm

Front Pulley:
20T (standard)
19T (overdrive)

Clicker:
Full Time 4X4:

Front Shocks

Spring: _____ Associated Yellow Piston: _____ 1.2 mm

Shock Fluid: _____ 32 wt Limiter: _____ 0 + 2 Turns Unscrewed

Rebound: _____ 1 mm Bladder Emulsion

Electronics

Motor & Wind: _____ Reedy Sonic 550 4.0

Pinion: _____ 11 Spur Gear: _____ 62

Battery Type: Stick Saddle

Battery Placement: Front Middle Back

Other _____ Reedy #627 5200 mAh Split Pack

Slipper / Differentials

Standard Slipper VTS Slipper 3 Pad

Front Diff Fluid: _____ 30,000 (Steel Diff Insert)

Rear Diff Fluid: _____ 5,000 (Steel Diff Insert)

Front Tires

Tire: _____ JConcepts Barcode Compound: _____ Gold

Insert: _____ JConcepts Stock Wheel: _____ JConcepts Hazard +3mm

Notes: _____

Body

Body Type: _____ JConcepts High Flow Notes: _____ All vents cut out

Race and Vehicle Comments

Qualify: _____ Main: _____ Finish: _____ TQ: _____

Comments: 2 mm front 4mm rear up travel limiting; No shock boots; Locked servo saver

Rear Suspension

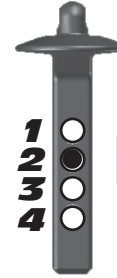
Reset Form

Wheelbase:
Long
Medium
Short



Anti Roll Bar:

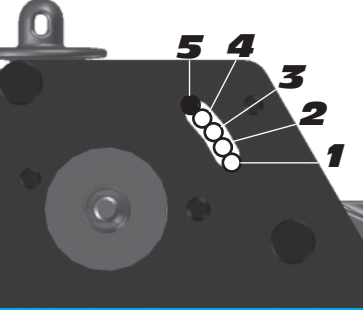
1.5mm
1.8mm
2.0mm
2.2mm
None



Camber: _____ -1

Ride Height: _____ 23 mm

Toe Block: 3-2
3-3



Washers: _____ 1/2 mm

Rear Pulley:
20T (standard)
19T (underdrive)

Slipper Coupled
Slipper De-Coupled

Rear Shocks

Spring: _____ Associated Yellow Piston: _____ 1.2 mm

Shock Fluid: _____ 27 wt Limiter: _____ 0 + 2 Turns Unscrewed

Rebound: _____ 1 mm Bladder Emulsion

Radio: _____ Futaba 4PK Super R

Throttle / Brake e.p.a: _____ 100% / 81%

Throttle / Brake expo: _____ -20% / -10%

Servo: _____ Futaba Steering Expo: _____

ESC: _____ LRP Flow ESC Software: _____ v3.2

ESC Profile: _____ 2 --- 3 --- 0 --- 2/3/0/3

Chassis

Chassis Brace: Yes No

Chassis Weight: _____ 80g next to servo; 60g under slipper

Rear Tires

Tire: _____ JConcepts Barcode Compound: _____ Gold

Insert: _____ JConcepts Stock Wheel: _____ JConcepts Hazard +3mm

Notes: _____

Track Info

Smooth: Bumpy: Blue Groove:

Traction: High: Medium: Low:

Soft Dirt: Grass: Clay: Wet:

Dusty: Other: _____