

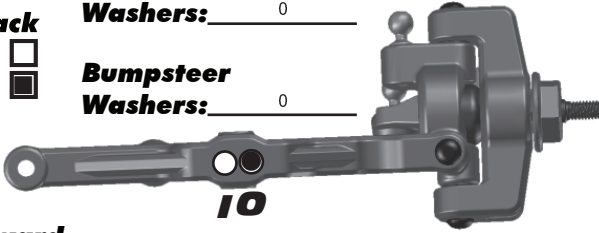
Front Suspension

Steering Rack
Standard
Option

Washers: _____ 0

Bumpsteer
Washers: _____ 0

Option
Rack



Forward
Back

Anti Roll Bar:

1.5mm
1.8mm
2.0mm
2.2mm
None

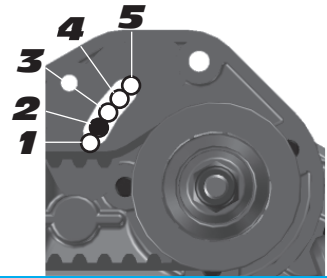


Steering
Stop Gap:
_____ 0

Camber: _____ 0

Toe: _____ 0

Ride Height: _____ 25 mm



Washers: _____ 2 mm

Front Pulley:
20T (standard)
19T (overdrive)

Clicker:
Full Time 4X4:

Front Shocks

Spring: _____ Blue _____ Piston: _____ 1.2
Shock Fluid: _____ 32.5 wt _____ Limiter: _____ 0
Rebound: _____ 3 mm _____ Bladder Emulsion

Electronics

Motor & Wind: _____ Reedy Sonic 550 4.0
Pinion: _____ 12 _____ Spur Gear: _____ 62
Battery Type: Stick Saddle
Battery Placement: Front Middle Back
Other Reedy #709

Slipper / Differentials

Standard Slipper VTS Slipper
Front Diff Fluid: _____ 20,000
Rear Diff Fluid: _____ 7,000

Front Tires

Tire: _____ JConcepts Double Dees _____ Compound: _____ Green
Insert: _____ JConcepts _____ Wheel: _____ JConcepts Hazard
Notes: _____

Body

Body Type: _____ JConcepts High Flow _____ Notes: _____ All vents cut out

Race and Vehicle Comments

Qualify: _____ 1 _____ Main: _____ A _____ Finish: _____ 1 _____ TQ:
Comments: _____ Up travel limiting 7 mm front, 8 mm rear

Rear Suspension

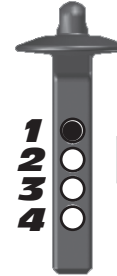
Reset Form

Wheelbase:
Long
Medium
Short



Anti Roll Bar:

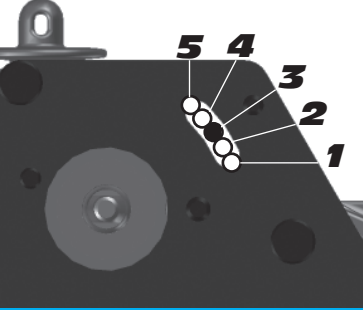
1.5mm
1.8mm
2.0mm
2.2mm
None



Camber: _____ 0

Ride Height: _____ 25 mm

Toe Block: 3-2
3-3



Washers: _____ 0

Rear Pulley:
20T (standard)
19T (underdrive)

Slipper Coupled
Slipper De-Coupled

Rear Shocks

Spring: _____ Yellow _____ Piston: _____ 1.2
Shock Fluid: _____ 27.5 wt _____ Limiter: _____ 0
Rebound: _____ 3 mm _____ Bladder Emulsion

Radio: _____ Futaba 4PKS
Throttle / Brake e.p.a: _____ 100% / 86%
Throttle / Brake expo: _____ 0% / 0%
Servo: _____ XP 1015 _____ Steering Expo: _____ 0%
ESC: _____ LRP SXX TC V2 _____ ESC Software: _____ 3.0
ESC Profile: _____ 1 _____ 0 _____ 0 _____ 4

Chassis

Chassis Brace: Yes No
Chassis Weight: _____ None

Rear Tires

Tire: _____ JConcepts Barcodes _____ Compound: _____ Green
Insert: _____ JConcepts _____ Wheel: _____ JConcepts Hazard
Notes: _____

Track Info

Smooth: Bumpy: Blue Groove:
Traction: High: Medium: Low:
Soft Dirt: Grass: Clay: Wet:
Dusty: Other: _____