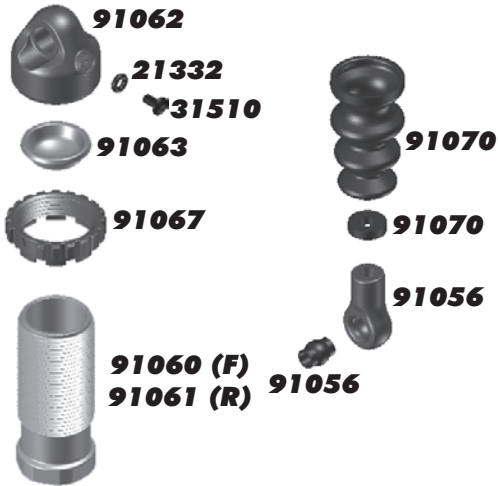


**:: Shocks**

6469	Black O-Ring	4
21332	Shock O-Ring	8
31510	M2 x 4mm BHCS	6
91052	13x26mm Shock Kit, Blue	1
91053	13x30mm Shock Kit, Blue	1
91054	Shock Cartridge	2
91055	Shock X-Rings	8
91056	Shock Rod Ends	4
91057	Shock Shaft, 26mm	2
91058	Shock Shaft, 30mm	2
91059	Shock Piston Hardware Kit	1
91060	Shock Body, 26mm Blue	2
91061	Shock Body, 30mm Blue	2
91062	Molded Shock Caps	4
91063	Shock Bladders, Seals	4
91064	Pistons, 1.1mm	4
91065	Pistons, 1.2mm (Kit)	4
91066	Pistons, 1.3mm	4
91067	Spring Cups / Collars	4
91070	Shock Boots	4



**:: Springs**

91071	13mm Front Spring Kit	1
91073	13mm Spring Front, 3.5LB Green	2
91074	13mm Spring Front, 3.9LB White	2
91075	13mm Spring Front, 4.3LB Blue (Kit)	2
91076	13mm Spring Front, 4.8LB Yellow	2
91077	13mm Rear Spring Kit	1
91078	13mm Spring Rear, 2.5LB White	2
91079	13mm Spring Rear, 2.8LB Blue	2
91080	13mm Spring Rear, 3.1LB Yellow (Kit)	2
91081	13mm Spring Rear, 3.4LB Red	2



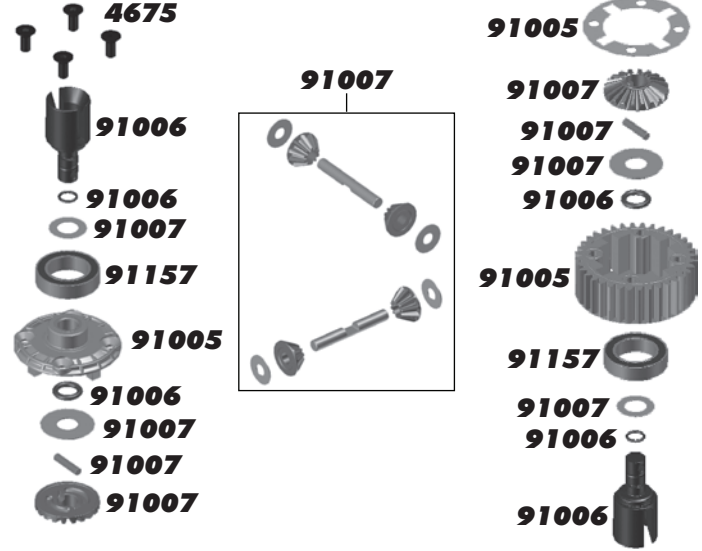
**:: Shock Fluid**

5420	10 Weight Silicone Shock Fluid	2oz.
5421	20 Weight Silicone Shock Fluid	2oz.
5422	30 Weight Silicone Shock Fluid	2oz.
5423	40 Weight Silicone Shock Fluid	2oz.
5424	22.5 Weight Silicone Shock Fluid	2oz.
5425	80 Weight Silicone Shock Fluid	2oz.
5426	27.5 Weight Silicone Shock Fluid	2oz.
5427	15 Weight Silicone Shock Fluid	2oz.
5428	25 Weight Silicone Shock Fluid	2oz.
5429	35 Weight Silicone Shock Fluid	2oz.
5430	45 Weight Silicone Shock Fluid	2oz.
5431	55 Weight Silicone Shock Fluid	2oz.
5432	32.5 Weight Silicone Shock Fluid	2oz.
5433	37.5 Weight Silicone Shock Fluid	2oz.
5434	42.5 Weight Silicone Shock Fluid	2oz.
5435	50 Weight Silicone Shock Fluid	2oz.
5436	60 Weight Silicone Shock Fluid	2oz.
5437	70 Weight Silicone Shock Fluid	2oz.
5438	47.5 Weight Silicone Shock Fluid	2oz.



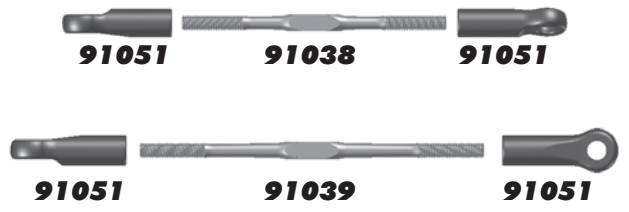
**:: Gear Differential**

4675	M2.5x6mm FHCS	6
91005	4X4 Gear Diff Case	1
91006	4X4 Gear Diff Outdrives	2
91007	4X4 Gear Diff Rebuild Kit	1
91008	4X4 Gear Diff Kit	1
91157	10x16x4mm Bearings	2



**:: Turnbuckles**

91038	HD Turnbuckles, 65mm	2
91039	HD Turnbuckles, 80mm	2
91051	HD Ball Cups	12



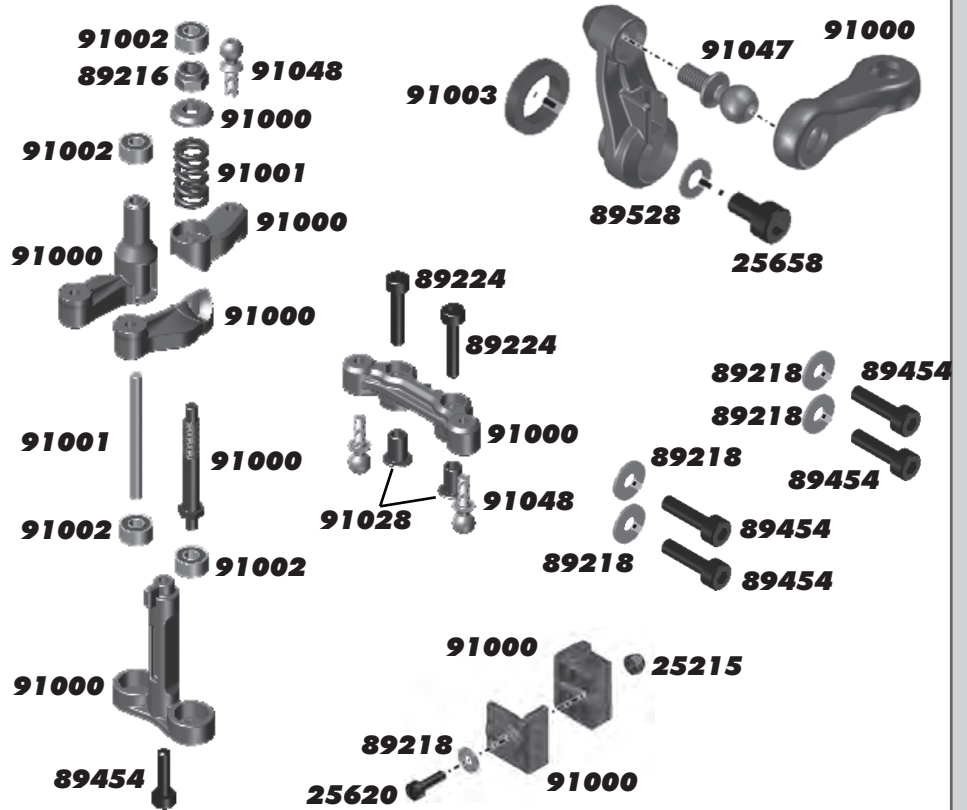
**:: Lubes & Adhesives / Decals / Misc.**

1105	FT Green Slime Shock Lube	1
1596	FT Locking Adhesive	1
1597	FT Tire Adhesive, medium	1
5450	Silicone Diff Fluid 1000cst	1
5451	Silicone Diff Fluid 2000cst	1
5452	Silicone Diff Fluid 3000cst	1
5453	Silicone Diff Fluid 5000cst	1
5454	Silicone Diff Fluid 7000cst	1
5455	Silicone Diff Fluid 10000cst	1
5456	Silicone Diff Fluid 20000cst	1
5457	Silicone Diff Fluid 30000cst	1
5458	Silicone Diff Fluid 60000cst	1
5459	Silicone Diff Fluid 100000cst	1
6588	Black Grease - 4cc	1
6591	S.Diff Lube - 4cc	1
6636	Silicone Grease - 4cc	1
6727	Servo Tape	2
716	Reedy 2009 Sticker Set	1
717	Reedy Powered Logo Decal	1
3816	American Bumper Sticker	1
3820	AE Logo Decal Sheet	1
3834	AE Blue Embossed Logo Sticker	2
91169	SC10 4X4 Decal Sheet	1



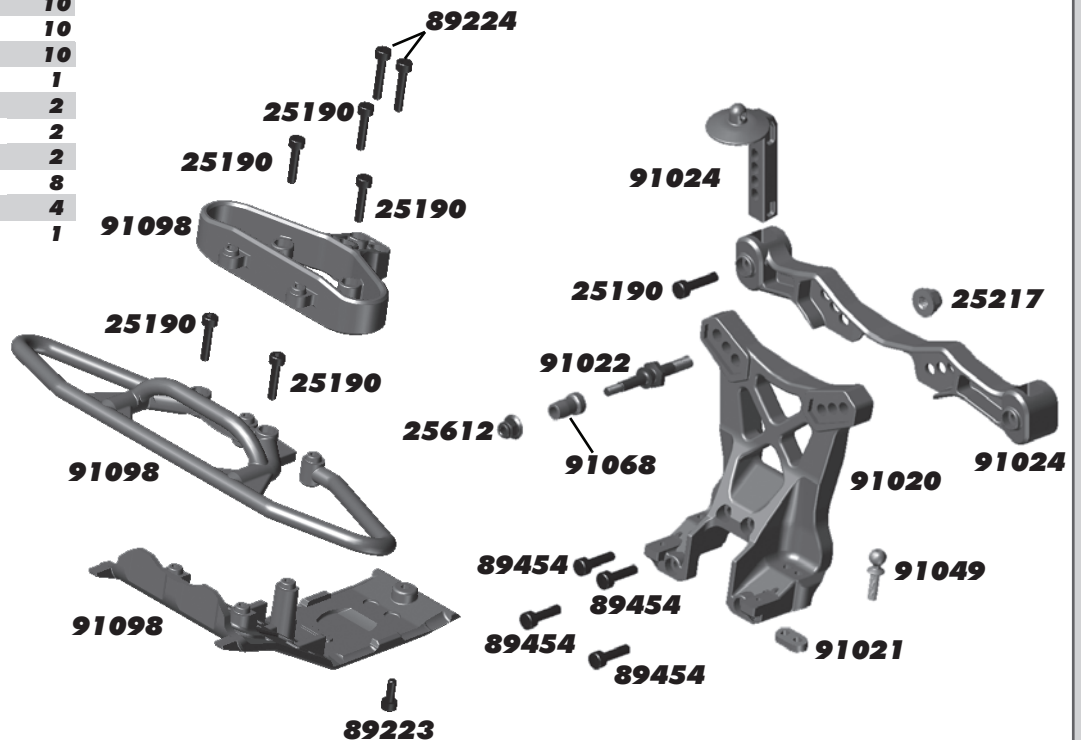
**:: Steering**

25215	M3 Locknut	20
25620	M3x10mm SHCS	20
25658	M3x6mm SHCS	20
89216	M4 Locknut	10
89218	M3x8mm Washer	10
89224	M3x16mm SHCS	10
89454	M3x12mm SHCS	10
89528	Steel Washer 3x5.6mm	10
91000	4X4 Servo Saver/Bellcrank	1
91001	4X4 Steering Hardware	1
91002	Steering Bearings 3x8x4mm	4
91003	4X4 Servo Horns	1
91028	4X4 Steel Hat Bushings	10
91047	HD Ballstuds, 6mm	8
91048	HD Ballstuds, 8mm	8



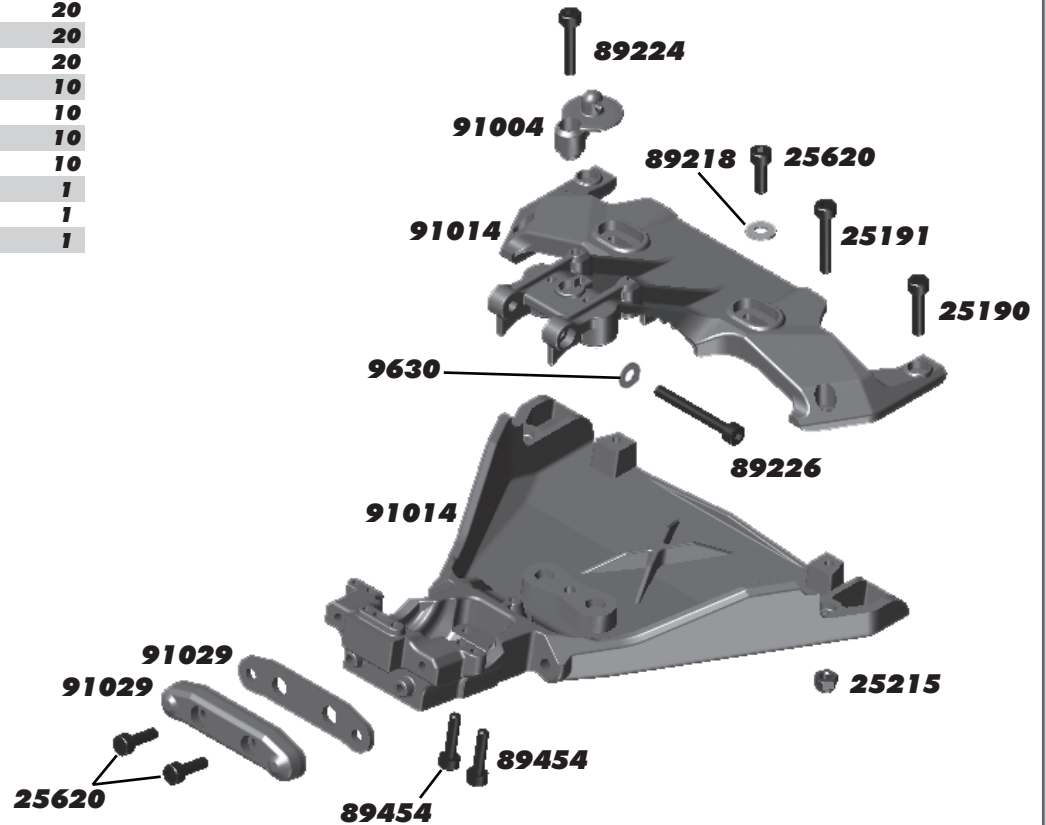
**:: Front Bumper, Front Shock Tower**

25190	M3x14mm SHCS	20
25217	M4 Locknut w/Flange	20
25612	M3 Locknut w/Flange	20
89223	M3x8mm SHCS	10
89224	M3x16mm SHCS	10
89454	M3x12mm SHCS	10
91020	4X4 Front Shock Tower	1
91021	4X4 Threaded Inserts	2
91022	4X4 Shock Mounts	2
91024	4X4 Body Mounts	2
91049	HD Ballstuds, 10mm	8
91068	13mm Shock Cap Bushing	4
91098	4X4 Front Bumper Set	1



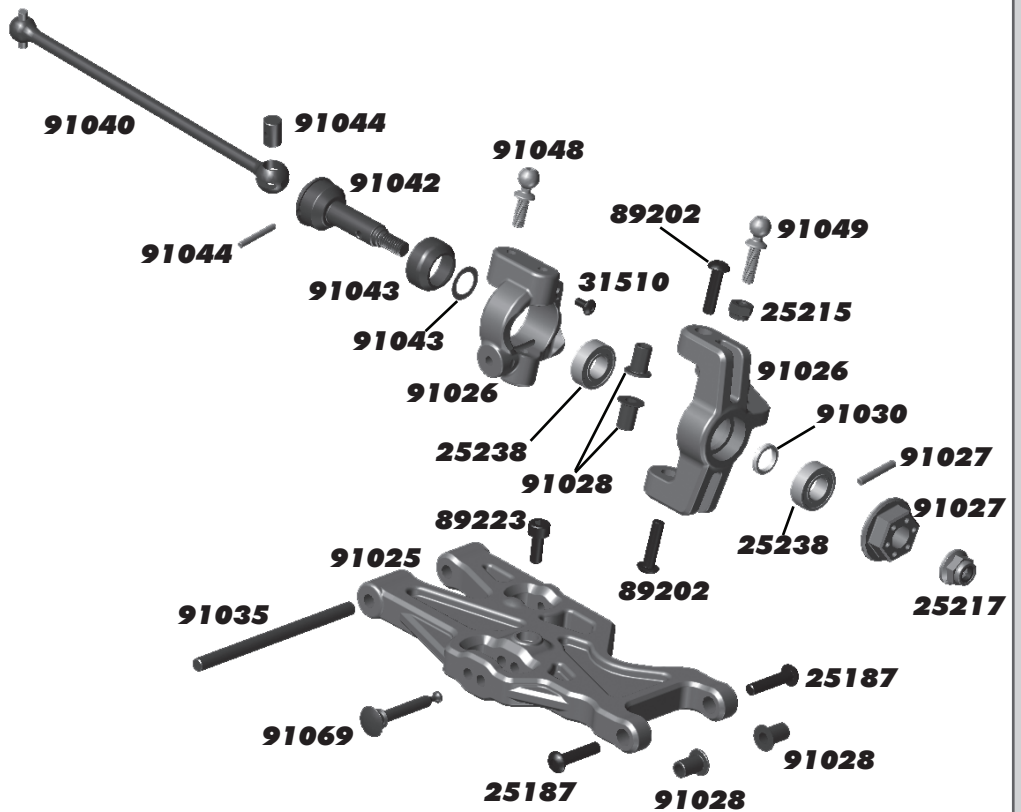
**:: Front Clip**

9630	Aluminum Ballstud Washer	10
25190	M3x14mm SHCS	20
25191	M3x18mm SHCS	20
25215	M3 Locknut, Black	20
25620	M3x10mm SHCS	20
89218	M3x8mm Washer	10
89224	M3x16mm SHCS	10
89226	M3x26mm SHCS	10
89454	M3x12mm SHCS	10
91004	4X4 Inner Body Mounts	1
91014	4X4 Front Chassis Plate/Brace	1
91029	4X4 Front Arm Mount (A)	1



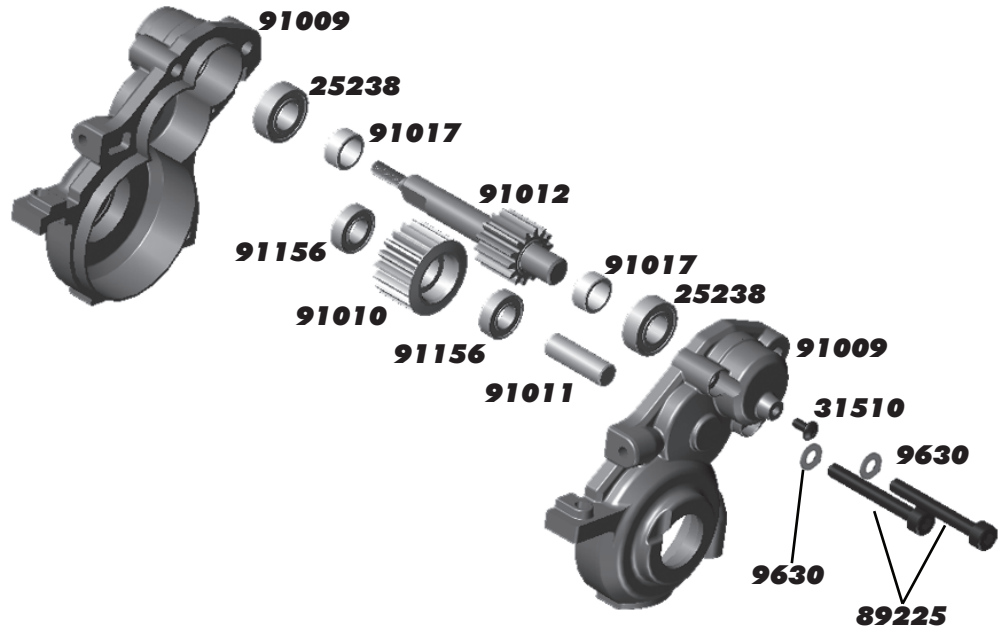
**:: Front Suspension**

25187	M3x14mm BHCS	20
25215	M3 Locknut	20
25217	M4 Locknut w/Flange	20
25238	6x12x4mm Bearings	2
31510	M2x4mm BHCS	6
89202	M3x12mm BHCS	10
89223	M3x8mm SHCS	10
91025	4X4 Front Arms	2
91026	4X4 Steer/Caster Block	2ea
91027	4X4 Wheel Hexes / Pins	4
91028	4X4 Steel Hat Bushings	10
91030	Front Axle Crush Tube	2
91035	4X4 Inner Hinge Pins (Fr, Rr)	2ea
91040	4X4 Front CVA Bones	2
91042	4X4 CVA Axles	2
91043	4X4 CVA Pin Retainer	2
91044	4X4 CVA Rebuild Kit	1
91048	HD Ballstuds, 8mm	8
91049	HD Ballstuds, 10mm	8
91069	Shock Mount Pin, Steel	4



**:: Front Gearbox**

9630	Aluminum Ballstud Washer	10
25238	6x12x4 Bearings	2
31510	M2x4mm BHCS	6
89225	M3x24mm SHCS	10
91009	4X4 Front Gearbox	1
91010	4X4 Idler Gear	2
91011	4X4 Idler Gear Shaft	1
91012	4X4 Top Shaft, Front	1
91017	4X4 Top Shaft Spacers	2
91156	5x10x3mm Bearings	2



**:: Front Belt Covers, Tensioners, Clicker Drive**

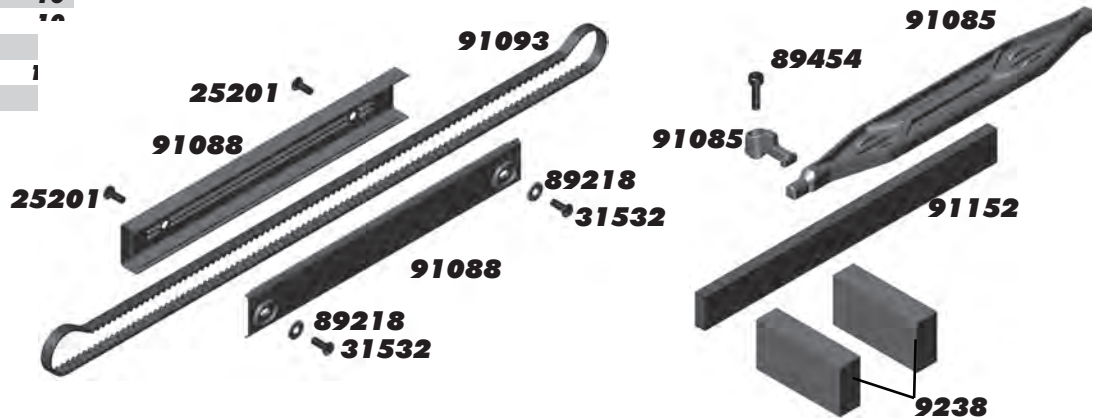
25215	M3 Locknut, Black	20
25620	M3x10mm SHCS	20
31402	4x8mm Bearings	2
31531	M3x6mm BHCS	6
89223	M3x8mm SHCS	10
89528	M2.5x5mm washer	10
91013	4X4 Pulley/Clicker Set	1
91088	4X4 Belt Covers	1ea
91089	4X4 Belt Cover Cap	2
91091	Belt Tension Hardware	1
91158	M3x4mm BHCS	10
91159	M2.5x5mm SHCS	10
91167	4X4 Pulleys, Front & Rear	1ea





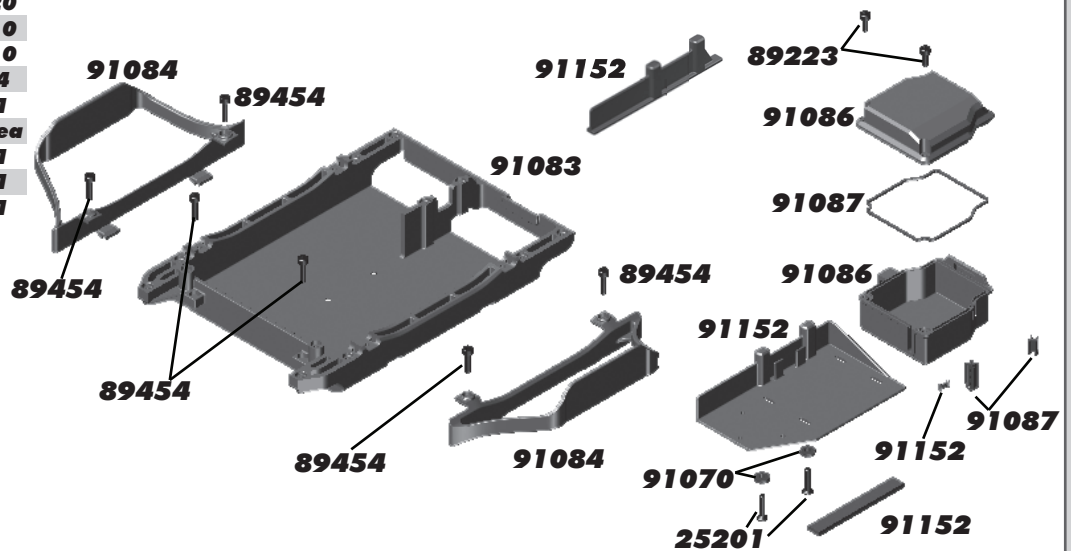
**:: Belt, Center Belt Covers, Battery Strap**

9238	Foam Battery Spacers	2
25201	M3x8mm FHCS	20
31532	M3x8mm BHCS	6
89218	M3x8mm Washers	10
89454	M3x12mm SHCS	10
91085	4X4 Battery Strap	1
91088	4X4 Belt Covers	1
91093	4X4 Drive Belt	1
91152	4X4 ESC Tray/Battery Wall	1



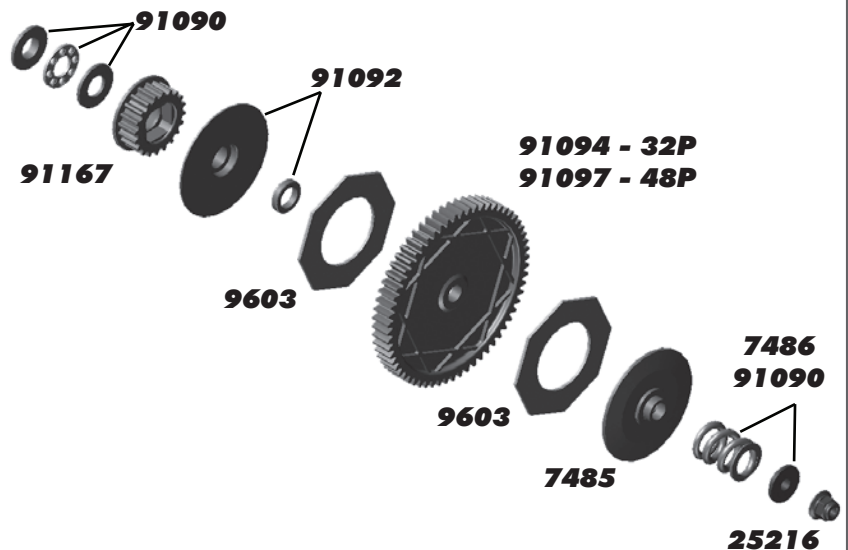
**:: Chassis, Electronics Tray**

25201	M3x8mm FHCS	20
89223	M3x8mm SHCS	10
89454	M3x12mm SHCS	10
91070	13mm Shock Bumpers	4
91083	4X4 Chassis	1
91084	4X4 Nerf Bars	1ea
91086	4X4 Receiver Box	1
91087	4X4 Receiver Box Seals	1
91152	4X4 ESC Tray/Battery Wall	1



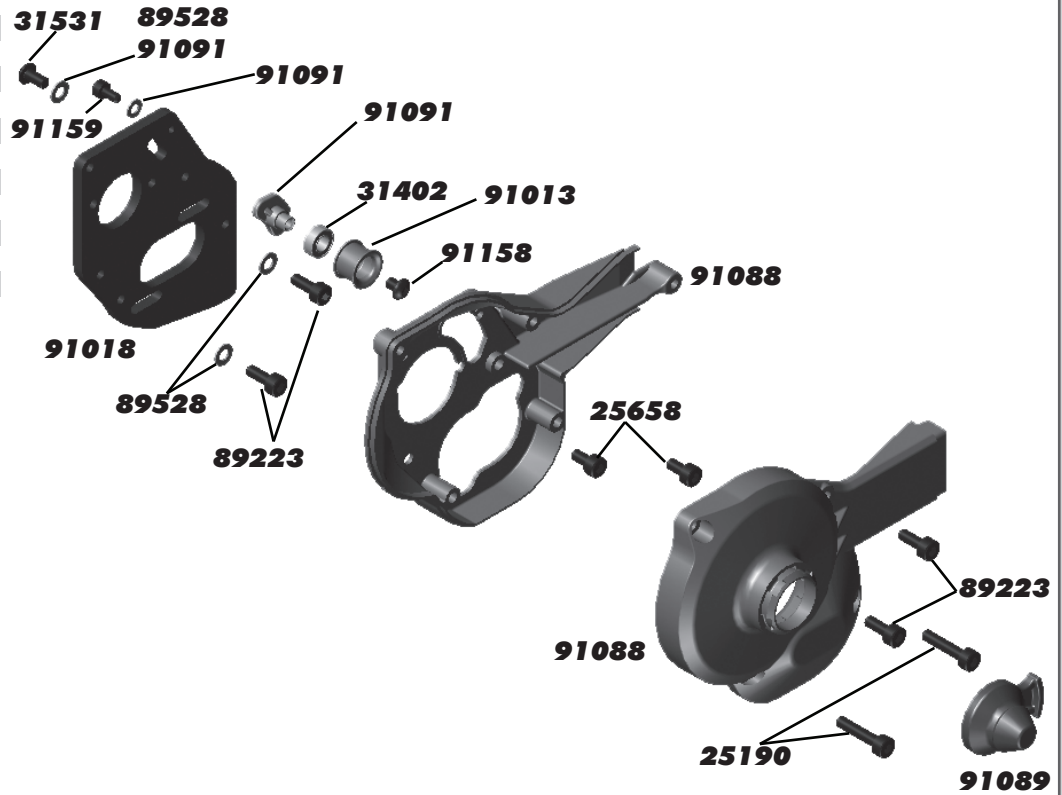
**:: Slipper Gear Assembly / Pinions**

7485	FT V2 Slipper Hubs	1
7486	V2 Slipper Spring/Washer	1
7732	M4x4mm Setscrew	6
9603	Slipper Pads	2
25216	M3 Locknut w/Flange	20
91090	4X4 Slipper Hardware	1
91092	4X4 Inner Slipper Hub	1
91094	Spur Gear, 32P-62T (Kit)	1
91095	Spur Gear, 32P-60T	1
91096	Spur Gear, 32P-58T	1
91097	Spur Gear, 48P-93T (Kit)	1
91161	5mm to 1/8 Pinion Adapter	1
91162	11T 32P Pinion Gear	1
91163	12T 32P Pinion Gear	1
91164	13T 32P Pinion Gear	1
91165	14T 32P Pinion Gear (RTR)	1
91166	15T 32P Pinion Gear	1
91167	4X4 Pulleys, Front & Rear	1ea



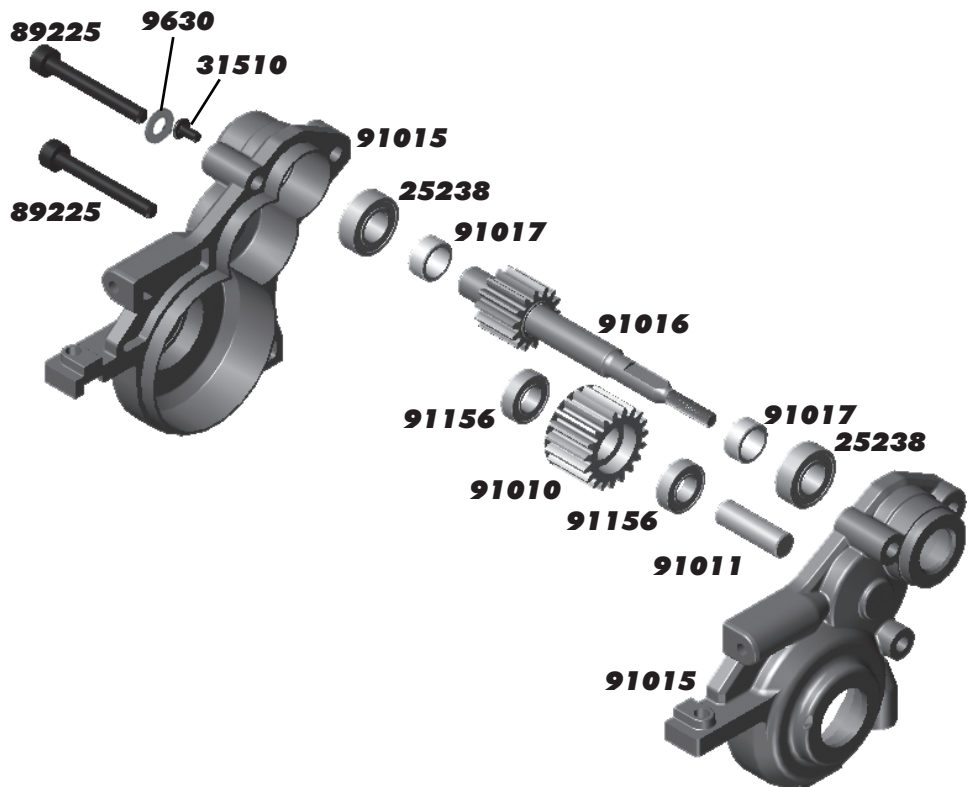
**:: Motor Plate, Rear Belt Cover**

25190	M3x14mm SHCS	20
25658	M3x6mm SHCS	20
31402	4x8mm Bearings	2
31531	M3x6mm BHCS	6
89223	M3x8mm SHCS	10
89528	Steel Washer 3x5.6mm	10
91013	4X4 Pulley/Clicker Set	1
91018	4X4 Motor Plate	1
91088	4X4 Belt Covers	1ea
91089	4X4 Belt Cover Caps	2
91091	Belt Tensioner Hardware	1
91158	M3x4mm BHCS	10
91159	M2.5x5mm SHCS	10



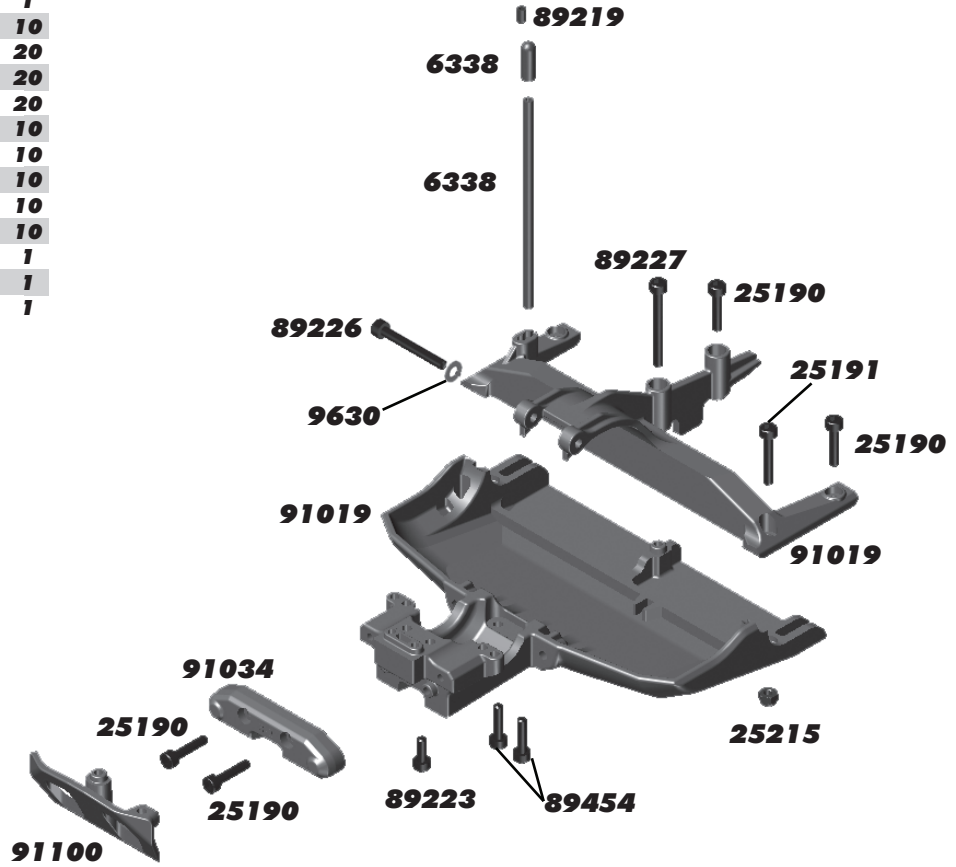
**:: Rear Gearbox**

9630	Aluminum Ballstud Washer	10
25238	6x12x4mm Bearings	2
31510	M2x4mm BHCS	6
89225	M3x24mm SHCS	10
91010	4X4 Idler Gear	2
91011	4X4 Idler Gear Shaft	1
91015	4X4 Rear Gearbox	1
91016	4X4 Rear Top Shaft	1
91017	4X4 Top Shaft Spacers	2
91156	5x10x3mm Bearings	2



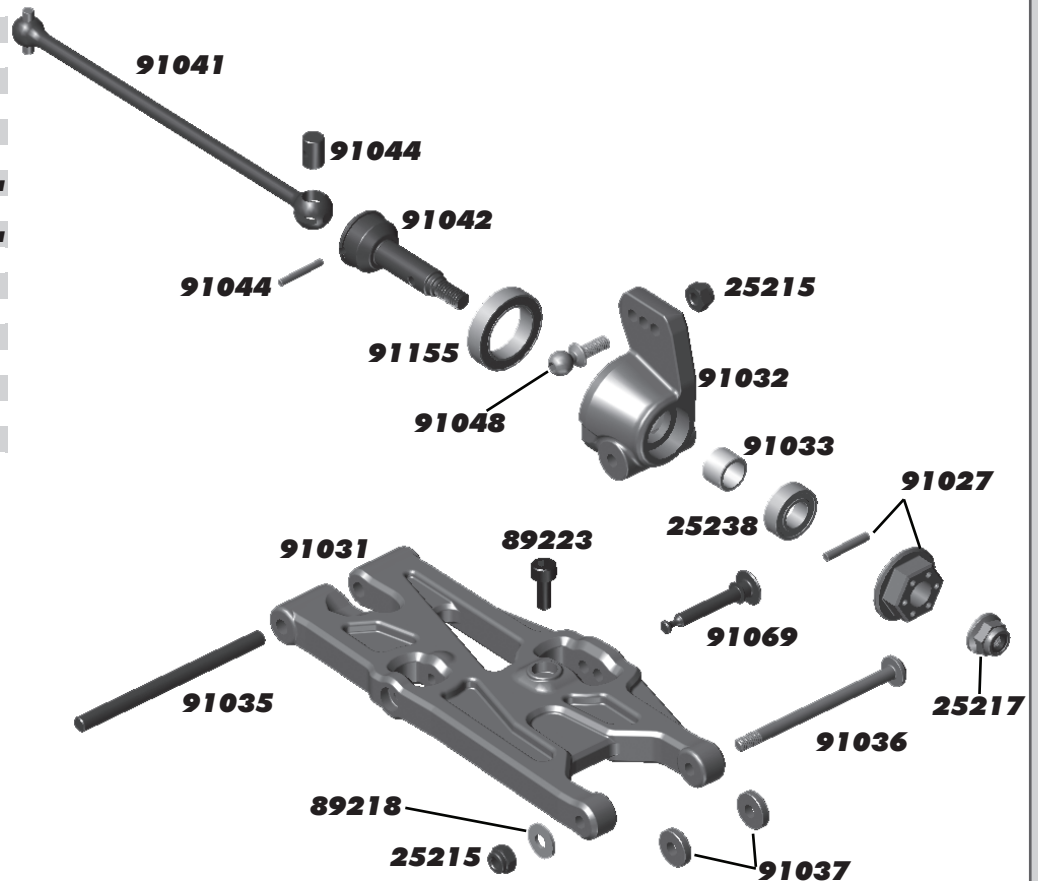
**:: Rear Clip**

6338	Antenna Tube 12" & Cap	1
9630	Aluminum Ballstud Washer	10
25190	M3x14mm SHCS	20
25191	M3x18mm SHCS	20
25215	M3 Locknut, Black	20
89219	M3x5mm Setscrew	10
89223	M3x8mm SHCS	10
89226	M3x26mm SHCS	10
89227	M3x28mm SHCS	10
89454	M3x12mm SHCS	10
91019	4X4 Rear Chassis Plate/Brace	1
91034	4X4 Rear Arm Mount (D)	1
91100	4X4 Rear Skid Plate	1



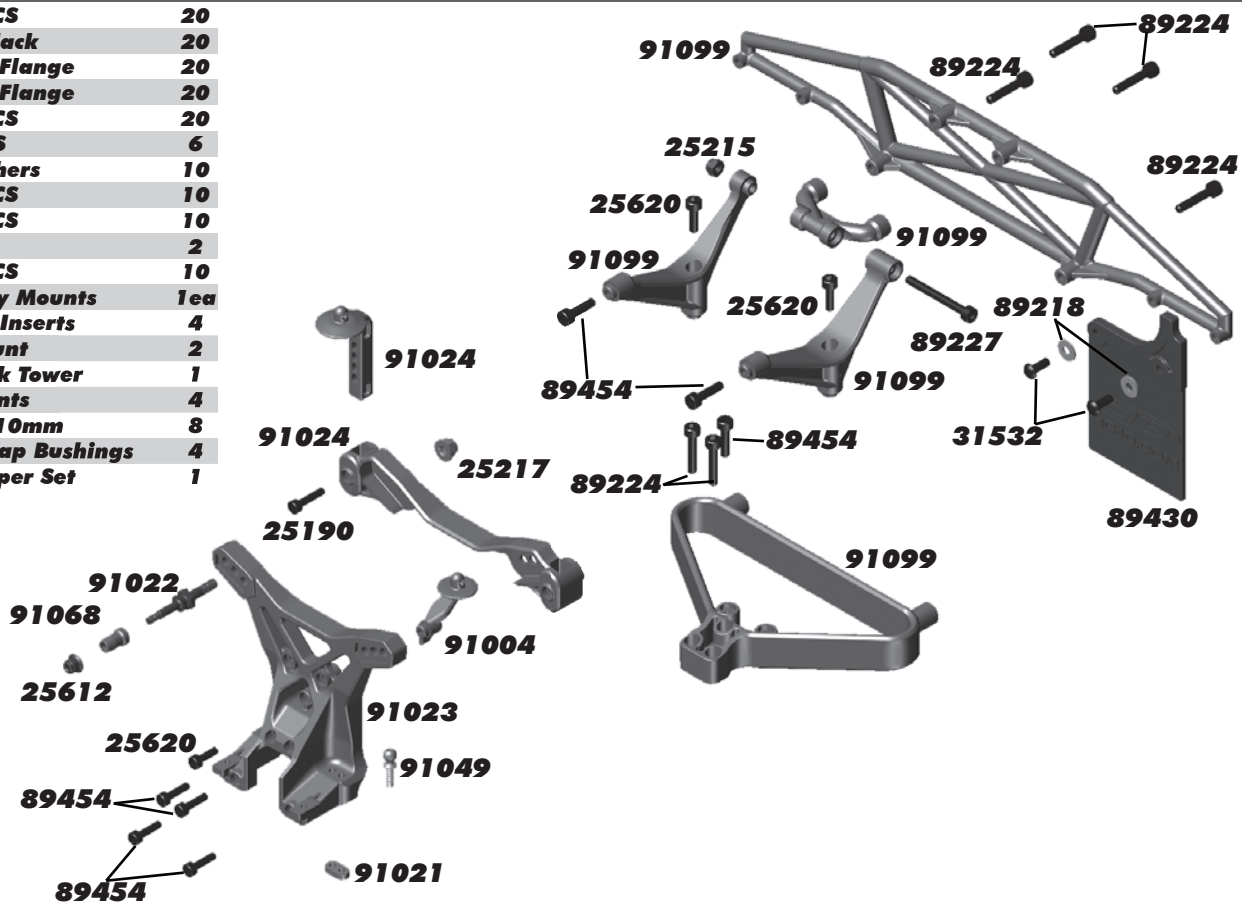
**:: Rear Suspension**

25215	M3 Locknut	20
25217	M4 Locknut w/Flange	20
25238	6x12x4mm Bearings	2
89218	M3x8mm Washers	10
89223	M3x8mm SHCS	10
91027	4X4 Wheel Hexes / Pins	4
91031	4X4 Rear Arms	1
91032	Rear Hub Carriers	1ea
91033	Rear Axle Crush Tube	2
91035	4X4 Inner Hinge Pins, Fr & Rr	2ea
91036	4X4 Rear Outer Hinge Pins	2
91037	Rear Hub Wheelbase Shim	8
91041	4X4 Rear CVA Bones	2
91042	4X4 CVA Axles	2
91044	4X4 CVA Rebuild Kit	2
91048	HD Ballstuds, 8mm	8
91069	Shock Mount Pin, Steel	4
91155	12x18x4 Bearings, Rubber	2



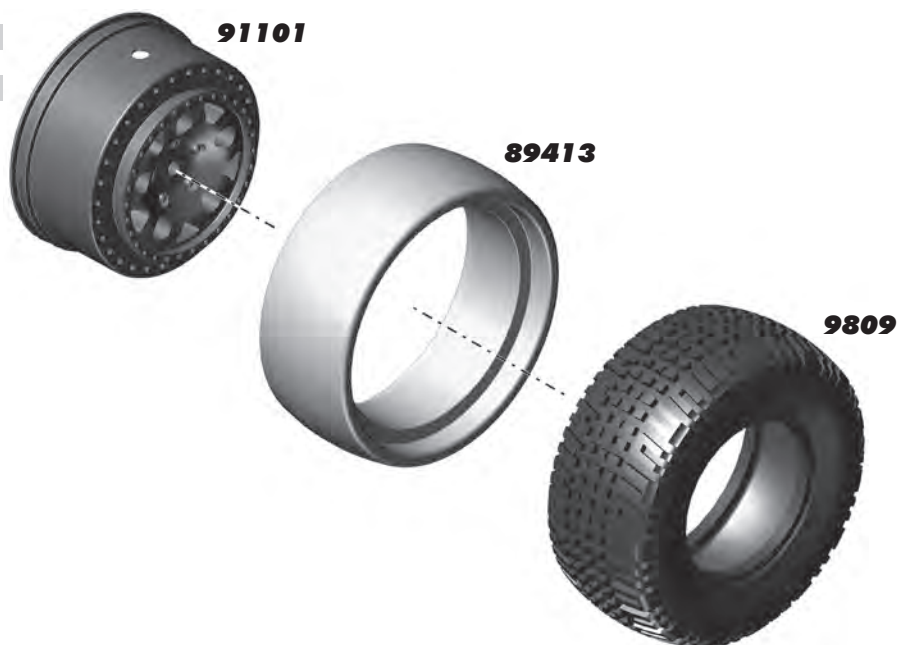
**:: Rear Bumper, Rear Shock Tower**

25190	M3x14mm SHCS	20
25215	M3 Locknut, Black	20
25217	M4 Locknut w/Flange	20
25612	M3 Locknut w/Flange	20
25620	M3x10mm SHCS	20
31532	M3x8mm BHCS	6
89218	M3x8mm Washers	10
89224	M3x16mm SHCS	10
89227	M3x28mm SHCS	10
89430	Mud Flaps	2
89454	M3x12mm SHCS	10
91004	4X4 Inner Body Mounts	1ea
91021	4X4 Threaded Inserts	4
91022	4X4 Shock Mount	2
91023	4X4 Rear Shock Tower	1
91024	4X4 Body Mounts	4
91049	HD Ballstuds, 10mm	8
91068	13mm Shock Cap Bushings	4
91099	4X4 Rear Bumper Set	1



**:: Wheels, Tires, Inserts**

9809	SC10 Tires w/Foam Inserts	2
89413	1/8 Molded Tire Inserts	2
91101	KMC Hex Wheels, Black (Kit)	2
91102	KMC Hex Wheels, Silver	2
91103	KMC Hex Wheels, Chrome	2
91104	KMC Hex Wheels/Tire Black	2
91105	KMC Hex Wheels/Tire Silver	2
91106	KMC Hex Wheels/Tire Chrome	2





**:: Factory Team and Option Parts**

1654	FT Solid Axle Pins	4
1734	FT Body Clips, 4 Long, 6 Short	10
1735	FT Long Body Clips, Blue	4
1736	FT Short Body Clips, Blue	6
6943	FT Blue 8-32 Locknuts	4
7495	Vented Slipper Hub (fits outside only for 4X4)	2
9787	Chassis Protective Sheet	1
9836	SC10 Clear Body	1
9837	SC10 09' Championship Clear Body	1
9838	SC10 RTR Body, KMC	1
9839	SC10 RTR Body, Lucas Oil	1
9843	SC10 RTR Decal Sheet, KMC	1
9844	SC10 RTR Decal Sheet, Lucas Oil	1
9845	SC10 RTR Decal Sheet, Bullydog	1
9846	SC10 RTR Decal Sheet, Pro Comp	1
9847	SC10 RTR Decal Sheet, Team AE	1
9848	SC10 RTR Body, Ready Lift	1
9849	SC10 RTR Decal Sheet, Ready Lift	1
9862	SC10 09' Body, Rockstar-Makita	1
9863	SC10 09' Decals, Rockstar-Makita	1
25391	FT 4mm Locknuts, Blue	10
25392	FT 3mm Locknuts, Blue	10
31286	Aluminum Ballstud Washers, Blue	2
31550	M3 Aluminum Locknuts, Blue	6
91108	FT 13x26mm Shock Kit, Hard	1
91109	FT 13x30mm Shock Kit, Hard	1
91110	FT 26mm Shock Body, Hard	2
91111	FT 30mm Shock Body, Hard	2
91112	Ti Nitride Shock Shaft, 26mm	2
91113	Ti Nitride Shock Shaft, 30mm	2
91114	Blank Shock Pistons, 13mm	4
91115	Ti HD Turnbuckle, 65mm	2
91116	Ti HD Turnbuckle, 80mm	2
91117	Ti HD Turnbuckle Set, SC10 4X4	1
91118	Ti Nitride HD Ballstud 6mm	2
91119	Ti Nitride HD Ballstud 8mm	2
91120	Ti Nitride HD Ballstud 10mm	2
91121	Ti Nitride HD Ballstud 12mm	2
91122	Hard Anodized Hat Bushings	2
91123	Front Swaybar Set	1
91124	Rear Swaybar Set	1
91125	Hard Anodized Pivot Balls	4
91126	Swaybar Hardware	1
91127	Ti Nitride Front Inner Hinge Pins	2
91128	Ti Nitride Rear Inner Hinge Pins	2
91129	Light Weight Gear Diff Outdrives	2
91130	Light Weight Top Shaft, Front	1
91131	Light Weight Top Shaft, Rear	1
91132	Aluminum Idler Shaft	1
91134	Aluminum Shock Mount Pin	4
91135	Front CVA Bones, Shiny	2
91136	Rear CVA Bones, Shiny	2
91137	CVA Pin Retainer, Aluminum	2
91139	Titanium Shock Mounts	4
91160	Body Clip, 1.3mm Thick	10
91161	5mm to 1/8 Pinion Adapter	1
91168	SC10 4X4 Underbody	1
91169	SC10 4X4 Decal Sheet	1
91170	Hi-Torque Slipper Pad	2
91171	Aluminum Wheel Hexes/Pins	4
91172	SC10 4X4 Aluminum Screw Kit	1

**:: XP Electronics**

29107	S1903 Metal Gear Set	1
29125	S1903MG Servo	1
29126	S2008MG Servo	1
29127	S2008MG Gear Set	1
29141	XP SC450-BL Brushless ESC	1
29142	XP ESC Fan Option	1
29143	XP SC700 Brushless ESC	1
29144	XP SC1200 Brushless ESC - Kit	1
29150	XP RX/TX Charger 110v	1
29155	XP3D FM Radio System 27MHz	1
29156	XP3D FM Radio System 75MHz	1
29158	XP3D 3ch Digital Transmitter Only	1
29160	27MHz Module AM for XP3D	1
29161	27MHz Module FM, for XP3D	1
29162	75MHz Module FM for XP3D	1
29164	Micro RX 3ch FM 27MHz	1
29165	Micro RX 3ch FM 75MHz	1
29166	XP DS1313 Digital Servo	1
29177	XP DS1015 Digital Servo	1
29209	Gear Set, DS1313	1
29210	Gear Set, DS1015	1
29211	Servo Case, DS1313 / DS1015	1
29212	Accessory Pack, DS1313 / DS1015	1
29221	XP3SS 2.4GHz Radio System	1
29222	TRS401SS 2.4GHz 4Ch Receiver	1
29223	2.4GHz Module and RX (XP3D)	1
29224	2.4GHz Module (XP3D)	1

**:: Reedy Motors and ESC's**

909	550-SL Rotor	1
916	540R Brushless Motor 3300kV	1
917	540R Brushless Motor 3900kV	1
918	540R Brushless Motor 4900kV	1
919	540R Brushless Motor 6100kV	1
924	550-SL Brushless Motor 3500kV	1
925	550-SL Brushless Motor 4000kV	1
926	550-SL Brushless Motor 4400kV	1
927	XP SC700-BI/Reedy 550-SL 3500kV Combo	1
928	XP SC700-BI/Reedy 550-SL 4000kV Combo	1
929	XP SC700-BI/Reedy 550-SL 4400kV Combo	1
936	XP SC450-BL/Reedy 540R 3300kV Combo	1
937	XP SC450-BL/Reedy 540R 3900kV Combo	1
938	XP SC450-BL/Reedy 540R 4900kV Combo	1
939	XP SC450-BL/Reedy 540R 6100kV Combo	1

**:: Reedy Batteries**

302	AA Alkaline 1.5V (4)	1
303	AA 2700mAh NiMH 1.2V Rechargeable	1
627	LiPo 60C 5200mAh 7.4V SP	1
628	LiPo 60C 5500mAh 7.4V	1
632	TX Lightweight Battery 1350mAh 11.1V	1
633	TX Battery - 3PK, M11 3000mAh 11.1V	1
634	TX Battery - Helios, Z1 2400mAh 11.1V	1
637	TX Battery - M11X 2500mAh 7.4V	1
681	Wolfpack 2400mAh 7.2V w/DEANS® connector	1
682	Wolfpack 3000mAh 7.2V w/DEANS® connector	1
683	Wolfpack 3600mAh 7.2V w/DEANS® connector	1
684	Wolfpack 4200mAh 7.2V w/DEANS® connector	1
685	LiPo 40C+ 5000mAh 7.4V	1
686	LiPo 40C+ 4200mAh 7.4V SP	1
689	R-Power 1700mAh 7.2V w/TAM connector	1
693	Wolfpack 2400mAh 7.2V w/TAM connector	1
694	Wolfpack 3000mAh 7.2V w/TAM connector	1
695	Wolfpack 3600mAh 7.2V w/TAM connector	1
700	Wolfpack 4200mAh 7.2V w/TAM connector	1
709	LiPo 5000mAh 7.4V 35C ROAR Spec	1
712	LiPo 4200mAh 7.4V 35C SP EFRA Spec	1
713	LiPo 2400mAh 7.4V 20C Stick	1
714	LiPo 3400mAh 7.4V 25C Stick	1
723	LiFe 4000mAh 6.6V 30C	1
724	Wolfpack 3000mAh 8.4V w/DEANS® connector	1
725	Wolfpack 3600mAh 8.4V w/DEANS® connector	1
730	Wolfpack LiPo 3000mAh 7.4V 25C w/DEANS®	1
731	Wolfpack LiPo 3300mAh 7.4V 35C w/DEANS®	1
732	Wolfpack LiPo 3400mAh 7.4V 35C w/DEANS®	1

**:: Reedy Accessories**

604	526-S AC/DC 2S-6S LiPo/LiFe Charger	1
605	Motor Cooling Fans (2)	1
606	Charge Harness 2S Saddle Pack 4mm	1
607	Charge Harness 2S Standard Pack 4mm	1
609	Tam to DEANS® Charger Adapter	1
610	447-S AC/DC NiMH Peak Charger	1
651	Battery Bars (8)	1
652	Battery Bars (30)	1
653	Battery Bars (100)	1
654	4.0mm plugs (2M, 2F)	1
655	4.0mm plugs (2M, 10F)	1
656	4.0mm plugs (10F)	1
657	4.0mm plugs (100F)	1
658	4.0mm plugs (10M)	1
659	4.0mm plugs (30M)	1
660	3.5mm plugs (3M, 3F)	1
661	3.5mm plugs (10F)	1
662	3.5mm plugs (100F)	1
663	3.5mm plugs (10M)	1
664	3.5mm plugs (30M)	1
665	Single Cell Shrink - Clear (12)	1
666	Single Cell Shrink - Clear (30)	1
667	Single Cell Shrink - Clear (100)	1
716	Reedy 09 Decal Set	1
SP35M	Reedy Logo T-Shirt - White M	1
SP35L	Reedy Logo T-Shirt - White L	1
SP35XL	Reedy Logo T-Shirt - White XL	1
SP35XXL	Reedy Logo T-Shirt - White XXL	1
SP35XXXL	Reedy Logo T-Shirt - White XXXL	1
SP36M	Reedy Logo T-Shirt - Black M	1
SP36L	Reedy Logo T-Shirt - Black L	1
SP36XL	Reedy Logo T-Shirt - Black XL	1
SP36XXL	Reedy Logo T-Shirt - Black XXL	1
SP36XXXL	Reedy Logo T-Shirt - Black XXXL	1
SP417	Factory Team 1/10 Motor Storage Bag	1

**:: LRP Charger, Power Supply, Balancer, Iron**

LRP41281	Quadra Pro 2 Charger	1
LRP41555	Pulsar Touch Competition Charger	1
LRP42103	LiPo Balance Board for XH Connectors (1s-5s)	1
LRP42305	Pulsar Touch Temperature Sensor	1
LRP42306	Pulsar Touch Sensor Wire Splitter	1
LRP43150	Power Supply Competition	1
LRP45200	LiPo Parallel Balancer	1
LRP65800	High Power Solder Station	1
LRP65802	Soldering Tip 5mm	1
LRP65803	Soldering Tip 1.2mm	1
LRP65804	Soldering Handle	1

**:: LRP Speed Controls**

LRP80400	SPX Brushless Super Reverse	1
LRP80905	SXX Competition V.2	1
LRP80915	SXX Stock-Spec V.2	1
LRP80955	SXX TC-Spec V.2	1

**:: LRP Brushless Motors**

LRP50430	Vector K4 6.5 Turn	1
LRP50440	Vector K4 8.5 Turn	1
LRP50450	Vector K4 10.5 Turn	1
LRP50460	Vector K4 13.5 Turn	1
LRP50480	Vector K4 17.5 Turn	1
LRP50642	LRP X-12 9.5 Turn	1
LRP50652	LRP X-12 8.5 Turn	1
LRP50662	LRP X-12 7.5 Turn	1
LRP50672	LRP X-12 6.5 Turn	1
LRP50682	LRP X-12 5.5 Turn	1
LRP50687	LRP X-12 5.0 Turn	1
LRP50692	LRP X-12 4.5 Turn	1
LRP50702	LRP X-12 4.0 Turn	1
LRP50712	LRP X-12 3.5 Turn	1
LRP50722	LRP X-12 3.0 Turn	1
LRP50832	LRP X-12 Stock-Spec 10.5 Turn	1
LRP50842	LRP X-12 Stock Spec 13.5 Turn	1
LRP50852	LRP X-12 Stock Spec 17.5 Turn	1
LRP50862	LRP X-12 Stock Spec 21.5 Turn	1
LRP50940	X12L Short Course 5.5 Turn 550	1
LRP50945	X12L Short Course 5.0 Turn 550	1
LRP50950	X12L Short Course 4.5 Turn 550	1

**:: LRP Brushless Combos**

LRP80694	SXX COMP v.2 / X-12 5.0 Turn	1
LRP80695	SXX COMP v.2 / X-12 5.5 Turn	1
LRP80696	SXX COMP v.2 / X-12 6.5 Turn	1
LRP80697	SXX COMP v.2 / X-12 7.5 Turn	1
LRP80698	SXX COMP v.2 / X-12 8.5 Turn	1
LRP80699	SXX COMP v.2 / X-12 9.5 Turn	1
LRP80781	SXX TC v.2 / X-12L SC 4.5T	1
LRP80782	SXX TC v.2 / X-12L SC 5.0T	1
LRP80783	SXX TC v.2 / X-12L SC 5.5T	1
LRP80790	SXX TC v.2 / X-12 3.0 Turn	1
LRP80791	SXX TC v.2 / X-12 3.5 Turn	1
LRP80792	SXX TC v.2 / X-12 4.0 Turn	1
LRP80793	SXX TC v.2 / X-12 4.5 Turn	1
LRP80794	SXX TC v.2 / X-12 5.0 Turn	1
LRP80795	SXX TC v.2 / X-12 5.5 Turn	1
LRP80796	SXX TC v.2 / X-12 6.5 Turn	1
LRP80797	SXX TC v.2 / X-12 7.5 Turn	1
LRP80798	SXX TC v.2 / X-12 8.5 Turn	1
LRP80799	SXX TC v.2 / X-12 9.5 Turn	1

**:: LRP Misc.**

LRP50620	X-12 Replacement Ball Bearings	1
LRP50621	X-12 Optional Ceramic Ball Bearings	1
LRP50622	X-12 Small Parts Set	1
LRP50623	X-12 PreciSensor Unit	1
LRP50624	X-12 Replacement Alum Front Can (Gray)	1
LRP50625	X-12 Lightweight Alum Can	1
LRP50626	X-12 Alum Rear Cover	1
LRP50632	X-12 12.0mm Sintered Rotor	1
LRP50633	X-12 12.5mm Sintered Rotor	1
LRP50634	X-12 13.0mm Sintered Rotor	1
LRP50639	LRP X-12 Stock Spec "1s LiPo" Sintered Rotor	1
LRP80135	BEC Stabilizing Capacitor	1
LRP82511	Brushless Low Profile Fan	1
LRP82520	Brushless/Brushed Cooling Set	1
LRP82530	Power Cap 3.7 - 4.8V	1
LRP82531	Power Cap 6.0 - 7.4V	1
LRP819307	70mm High Flex Sensor Wire	1
LRP819310	100mm High Flex Sensor Wire	1
LRP819315	150mm High Flex Sensor Wire	1
LRP819320	200mm High Flex Sensor Wire	1

**:: Apparel**

SP35**	Reedy 09' White T-Shirt (M, L, XL, 2XL, 3XL)	1
SP36**	Reedy 09' Black T-Shirt (M, L, XL, 2XL, 3XL)	1
SP62**	AE Vertigo Long Sleeve T-Shirt (S, M, L, XL, 2XL)	1
SP63**	AE Vertigo White T-Shirt (S, M, L, XL, 2XL, 3XL, 4XL)	1
SP64**	AE Vertigo Blue T-Shirt (S, M, L, XL, 2XL, 3XL, 4XL)	1
SP65**	AE Vertigo Black T-Shirt (S, M, L, XL, 2XL, 3XL, 4XL)	1
SP66**	AE Stencil Blue T-Shirt (S, M, L, XL, 2XL, 3XL)	1
SP67**	AE Stencil Gray Sweatshirt (S, M, L, XL, 2XL, 3XL)	1
SP69**	AE 26 Time World Championship T-Shirt, Black (S, M, L, XL, 2XL, 3XL)	1
SP411S	AE Hat 11' Flatbill Black S/M	1
SP411L	AE Hat 11' Flatbill Black L/XL	1
SP416	1/10 Car Carrier Bag Only	1
SP417	1/10 FT Motor Bag	1
SP420**	AE Pit Gloves (M, L, XL)	Pr.
715	Reedy 2009 Track Banner	1
110684	Team Associated Track Banner	1

\*\* Use part number plus the desired size when ordering!

**:: 1/18 Kits and RTR's**

20100	RC18T RTR (ready-to-run)	1
20101	RC18T2 2.4ghz RTR (ready-to-run)	1
20103	RC18B2 - RC18T2 Team Kit	1
20105	RC18B RTR (ready-to-run)	1
20106	RC18B2 2.4ghz RTR (ready-to-run)	1
20110	RC18MT RTR (ready-to-run)	1
20115	RC18R Kamino RTR (ready-to-run)	1
20118	RC18R Niteline RTR (ready-to-run)	1
20120	SC18 RTR (ready-to-run)	1
20121	SC18 Brushless RTR (ready-to-run)	1
20130	RC18LM RTR (ready-to-run)	1

**:: 1/12, 1/10 Kits and RTR's**

2033	FT Nitro TC3 Kit	1
2042	Nitro TC3 RTR Plus (ready-to-run)	1
4019	FT 12R5.1 Kit	1
7023	RC10T4.1 FT Kit	1
7027	SC10 2WD Short Course Race Truck Kit	1
7029	SC10 Associated/RC10.com Truck RTR (ready-to-run)	1
7030	SC10 KMC Wheels Race Truck RTR (ready-to-run)	1
7032	SC10 Ready Lift RTR (ready-to-run)	1
7034	SC10 FT Kit	1
7036	RC10T4.1 RTR 2.4GHz Brushed (ready-to-run)	1
7037	RC10T4.1 RTR 2.4GHz Brushless (ready-to-run)	1
7046	SC10RS RTR, 2.4ghz Brushless Lucas Oil Body	1
7047	SC10RS RTR, 2.4ghz Brushless Monster Energy Body	1
7048	SC10RS RTR, 2.4ghz Brushless Pro Comp Body	1
7049	SC10RS RTR, 2.4ghz Brushless Rockstar/Makita Body	1
7080	FT GT2 Nitro Truck Kit	1
7092	GT2 RS Truck Nitro RTR (ready-to-run)	1
8021	FT RC10R5-OVAL Kit	1
9036	RC10B4.1 FT Kit	1
9039	RC10B4.1 RTR 2.4GHz Brushless (ready-to-run)	1
9061	FT B44.1 4WD Buggy Kit	1
20515	MGT 3.0 Nitro Monster Truck RTR (ready-to-run)	1
30105	FT TC5R Rubber Tire Edition 4WD Touring Car Kit	1
30106	FT TC6 4WD Touring Car Kit	1
30111	TC4 4WD Touring Car RTR (ready-to-run)	1
90004	SC10 4X4 Kit	1
90005	SC10 4X4 RTR, 2.4ghz Brushless Lucas Oil Body	1
90006	SC10 4X4 RTR, 2.4ghz Brushless Pro Comp Body	1
90007	SC10 4X4 RTR, 2.4ghz Brushless Rockstar/Makita Body	1

**:: 1/8 Kits and RTR's**

20503	Limited Edition MGT 4.60 Nitro RTR, w/flag body (ready-to-run)	1
20504	Limited Edition MGT 8.0 Nitro RTR, w/flag body (ready-to-run)	1
80902	FT RC8B Nitro Buggy Kit	1
80904	FT RC8Be Electric Buggy Kit	1
80905	RC8RS "Race Spec" Nitro Buggy RTR (ready-to-run)	1
80906	RC8.2 FT Nitro Buggy Kit	1
80912	RC8T Championship Edition	1
80922	SC8 Short Course Race Truck, KMC Wheels Nitro RTR (ready-to-run)	1
80923	SC8 Short Course Race Truck, Bully Dog Nitro RTR (ready-to-run)	1
80924	SC8 Short Course Race Truck, AE Team Nitro RTR (ready-to-run)	1
80925	SC8 Short Course Race Truck, Pro Comp Nitro RTR (ready-to-run)	1
80932	SC8e Short Course Race Truck Rockstar/Makita RTR (ready-to-run)	1

**:: Tools**

1111	FT Turnbuckle Wrench	1
1112	FT 4mm Turnbuckle Wrench (4x4 only)	1
1449	Offroad Ride Height Gauge	1
1450	FT Ride Height Gauge	1
1541	FT Hex Driver Set, (7 pcs)	1
1542	FT .050" Silver Hex Driver	1
1543	FT 1/16" Black Hex Driver	1
1544	FT 1.5mm Purple Hex Driver	1
1545	FT 5/64" Blue Hex Driver	1
1546	FT 3/32" Gold Hex Driver	1
1547	FT 2.5mm Green Hex Driver	1
1548	FT 3mm Red Hex Driver	1
1551	FT Screwdriver Set	1
1553	FT Phillips Silver Screwdriver	1
1554	FT Silver Spring Hook Tool	1
1561	FT Nut Driver Set, (6 pcs)	1
1562	FT 3/16" Black Nut Driver	1
1563	FT 1/4" Red Nut Driver	1
1564	FT 5.5mm Red Nut Driver	1
1565	FT 11/32" Green Nut Driver	1
1566	FT 7.0mm Silver Nut Driver	1
1567	FT 8mm Gold Nut Driver	1
1589	FT 5/64" Blue Ball Hex Driver	1
1590	FT 3/32" Gold Ball Hex Driver	1
1592	FT Ball Hex Driver Set, (3 pcs)	1
1655	FT 8-Piece 1/4" Hex Drive Set	1
1656	FT 1/4" Hex Drive Handle, without tips	1
1657	FT 1/4" Hex Drive .050" Tip	1
1658	FT 1/4" Hex Drive 1/16" Tip	1
1659	FT 1/4" Hex Drive 5/64" - 2.0mm Tip	1
1660	FT 1/4" Hex Drive 3/32" Tip	1
1661	FT 1/4" Hex Drive 1.5mm Tip	1
1662	FT 1/4" Hex Drive 2.5mm Tip	1
1663	FT 1/4" Hex Drive 3/16" Nut Driver Tip	1
1664	FT 1/4" Hex Drive 1/4" Nut Driver Tip	1
1665	FT 1/4" Hex Drive 11/32" Nut Driver Tip	1
1666	FT 1/4" Hex Drive 5.5mm Nut Driver Tip	1
1667	FT 1/4" Hex Drive 7.0mm Nut Driver Tip	1
1668	FT 1/4" Hex Drive 8.0mm Nut Driver Tip	1
1669	FT 1/4" Hex Drive 5/64" - 2.0mm Ball End Tip	1
1670	FT 1/4" Hex Drive 3/32" Ball End Tip	1
1671	FT 1/4" Hex Drive Standard Screwdriver Tip	1
1672	FT 1/4" Hex Drive Phillips Screwdriver Tip	1
1673	FT 1/4" Hex Drive 2.5mm Ball End Tip	1
1674	FT 1/4" 5 Piece Power Tool Tips Set (5/64-2.0mm, 1.5mm, 2.5mm, 5/64"- 2.0mm ball, 2.5mm ball)	1
1719	FT Camber + Track Width Tool	1
1737	FT Body Scissors	1
3718	12 Inch Nylon Wire Ties	12
3719	6 Inch Nylon Wire Ties	12
3720	8 Inch Nylon Wire Ties	12
3987	FT Droop Gauge	1
6429	Shock Building Tool	1
6956	Molded Tools, Set	1
7494	V2 Stamped Multi Tool	1
7709	4 Inch Nylon Wire Ties	12
91107	13mm Shock Tools	1

**:: Contact Information**

Associated Electrics, Inc.  
26021 Commercentre Drive  
Lake Forest, CA 92630-8853 USA

<http://www.TeamAssociated.com>  
<http://twitter/TeamAssociated>

<http://www.RC10.com>  
<http://bit.ly/AEonFacebook>

call: (949) 544-7500 fax: (949) 544-7501

Check out the following web sites for all of our electric kits, current products, new releases, setup help, tips, and racing info!

[www.TeamAssociated.com](http://www.TeamAssociated.com) - [www.RC10.com](http://www.RC10.com)



:: Notes





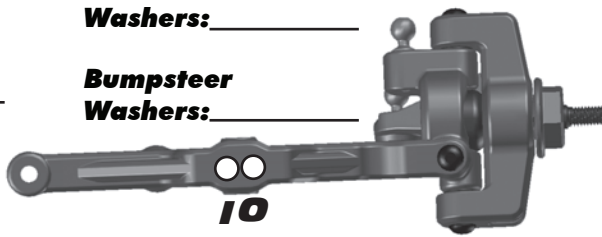
:: Notes



### Front Suspension

Steering  
 Stop Gap: \_\_\_\_\_

Washers: \_\_\_\_\_  
 Bumpsteer  
 Washers: \_\_\_\_\_



Anti Roll Bar:

1.5mm   
 2.0mm   
 2.2mm   
 None

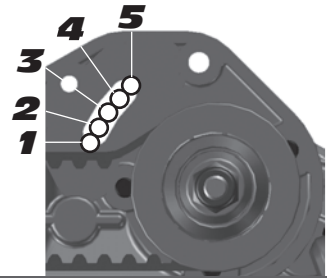


Universal   
 CVA

Camber: \_\_\_\_\_

Toe: \_\_\_\_\_

Ride Height: \_\_\_\_\_



Washers: \_\_\_\_\_  
 Front Pulley:  
 20T (standard)   
 19T (overdrive)   
 Clicker:   
 Full Time 4X4:

### Front Shocks

Spring: \_\_\_\_\_ Piston: \_\_\_\_\_  
 Shock Fluid: \_\_\_\_\_ Limiter: \_\_\_\_\_  
 Rebound: \_\_\_\_\_ Bladder  Emulsion

### Electronics

Motor & Wind: \_\_\_\_\_  
 Pinion: \_\_\_\_\_  
 Spur Gear: \_\_\_\_\_  
 Batteries: \_\_\_\_\_  
 Battery Placement: Front  Middle  Back   
 Other

### Differentials

Front Diff Fluid: \_\_\_\_\_  
 Rear Diff Fluid: \_\_\_\_\_

### Front Tires

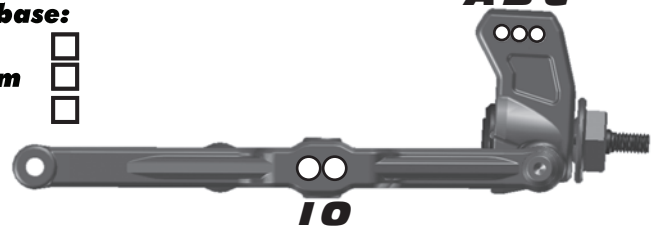
Tire: \_\_\_\_\_ Compound: \_\_\_\_\_  
 Insert: \_\_\_\_\_ Wheel: \_\_\_\_\_  
 Notes: \_\_\_\_\_

### Race and Vehicle Comments

Qualify: \_\_\_\_\_ Main: \_\_\_\_\_ Finish: \_\_\_\_\_ TQ: \_\_\_\_\_  
 Comments: \_\_\_\_\_

### Rear Suspension

Wheelbase:  
 Long   
 Medium   
 Short



Anti Roll Bar:

1.5mm   
 2.0mm   
 2.2mm   
 None

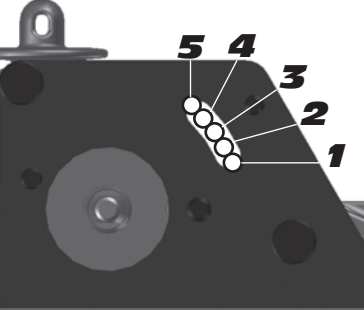


Universal   
 CVA

Camber: \_\_\_\_\_

Ride Height: \_\_\_\_\_

Toe Block: 3-2   
 3-3



Washers: \_\_\_\_\_  
 Rear Pulley:  
 20T (standard)   
 19T (underdrive)   
 Slipper Pad Notes: \_\_\_\_\_

### Rear Shocks

Spring: \_\_\_\_\_ Piston: \_\_\_\_\_  
 Shock Fluid: \_\_\_\_\_ Limiter: \_\_\_\_\_  
 Rebound: \_\_\_\_\_ Bladder  Emulsion

### Other

Radio: \_\_\_\_\_  
 Throttle / Brake e.p.a: \_\_\_\_\_  
 Throttle / Brake expo: \_\_\_\_\_  
 Servo: \_\_\_\_\_ Steering Expo: \_\_\_\_\_  
 ESC: \_\_\_\_\_  
 ESC Profile: \_\_\_\_\_

### Other

Body Type: \_\_\_\_\_  
 Body Notes: \_\_\_\_\_

### Rear Tires

Tire: \_\_\_\_\_ Compound: \_\_\_\_\_  
 Insert: \_\_\_\_\_ Wheel: \_\_\_\_\_  
 Notes: \_\_\_\_\_

### Track Info

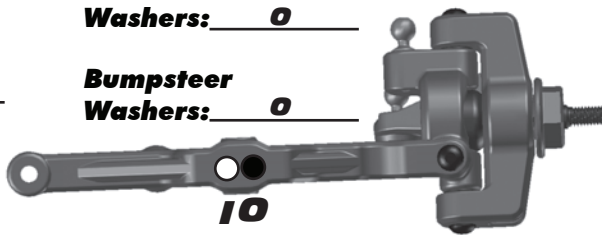
Smooth:  Bumpy:  Blue Groove:   
 Traction: High:  Medium:  Low:   
 Soft Dirt:  Grass:  Clay:  Wet:   
 Dusty:  Other: \_\_\_\_\_

### Front Suspension

Steering  
Stop Gap: \_\_\_\_\_

Washers: 0

Bumpsteer  
Washers: 0



Anti Roll Bar:

1.5mm   
2.0mm   
2.2mm   
None

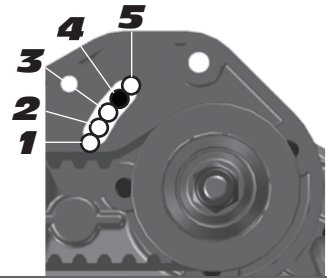


Universal CVA

Camber: -1

Toe: 0

Ride Height: 27



Washers: \_\_\_\_\_  
Front Pulley:  
20T (standard)   
19T (overdrive)

Clicker:   
Full Time 4X4:

### Rear Suspension

Wheelbase:  
Long   
Medium   
Short



Anti Roll Bar:

1.5mm   
2.0mm   
2.2mm   
None

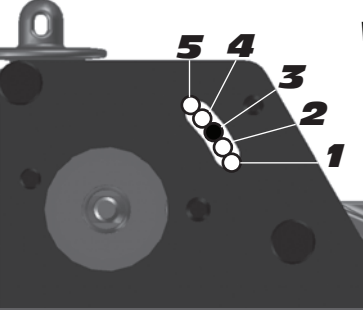


Universal CVA

Camber: -1

Ride Height: 27

Toe Block: 3-2   
3-3



Washers: \_\_\_\_\_  
Rear Pulley:  
20T (standard)   
19T (underdrive)

Slipper Pad Notes: \_\_\_\_\_

### Front Shocks

Spring: Blue 4.3 lb Piston: 1.2  
Shock Fluid: 35 wt Limiter: 0  
Rebound: 1/2 Bladder  Emulsion

### Rear Shocks

Spring: Yellow 3.1 lb Piston: 1.2  
Shock Fluid: 30 wt Limiter: 0  
Rebound: \_\_\_\_\_ Bladder  Emulsion

### Electronics

Motor & Wind: 4.5  
Pinion: 14t  
Spur Gear: 62t  
Batteries: \_\_\_\_\_  
Battery Placement: Front  Middle  Back   
Other

Radio: \_\_\_\_\_  
Throttle / Brake e.p.a: \_\_\_\_\_  
Throttle / Brake expo: \_\_\_\_\_  
Servo: \_\_\_\_\_ Steering Expo: \_\_\_\_\_  
ESC: \_\_\_\_\_  
ESC Profile: \_\_\_\_\_

### Differentials

Front Diff Fluid: 20,000 cst  
Rear Diff Fluid: 5,000 cst

### Other

Body Type: \_\_\_\_\_  
Body Notes: \_\_\_\_\_

### Front Tires

Tire: \_\_\_\_\_ Compound: \_\_\_\_\_  
Insert: \_\_\_\_\_ Wheel: \_\_\_\_\_  
Notes: \_\_\_\_\_

### Rear Tires

Tire: \_\_\_\_\_ Compound: \_\_\_\_\_  
Insert: \_\_\_\_\_ Wheel: \_\_\_\_\_  
Notes: \_\_\_\_\_

### Race and Vehicle Comments

Qualify: \_\_\_\_\_ Main: \_\_\_\_\_ Finish: \_\_\_\_\_ TQ: \_\_\_\_\_  
Comments: \_\_\_\_\_

### Track Info

Smooth:  Bumpy:  Blue Groove:   
Traction: High:  Medium:  Low:   
Soft Dirt:  Grass:  Clay:  Wet:   
Dusty:  Other: \_\_\_\_\_

**:: Hardware - 1:1 Scale View**

**Cap Head (shcs)**

	<b>2.5x5mm (91159)</b>
	<b>2.5x8mm (89222)</b>
	<b>3x6mm (25658)</b>
	<b>3x8mm (89223)</b>
	<b>3x10mm (25620)</b>
	<b>3x12mm (89454)</b>
	<b>3x14mm (25190)</b>
	<b>3x16mm (89224)</b>
	<b>3x18mm (25191)</b>
	<b>3x20mm (25192)</b>
	<b>3x24mm (89225)</b>
	<b>3x26mm (89226)</b>
	<b>3x28mm (89227)</b>

**Nuts (lock/plain)**

	<b>M3 Locknut (25215)</b>
	<b>M3 Alum. Locknut, Blue (31550)</b>
	<b>4-40/5-40 Nylon Locknut (6222)</b>
	<b>M3 Locknut w/Flange (25612)</b>
	<b>FT 3mm Locknuts, Blue(25392)</b>
	<b>M4 Locknut (89216)</b>
	<b>M4 Locknut w/Flange (25217)</b>
	<b>FT M4 Locknuts w/Flange, Blue (25391)</b>

**Flat Head (fhcs)**

	<b>2.5x6mm (4675)</b>
	<b>3x8mm (25201)</b>
	<b>3x14mm (89208)</b>

**Ballstuds**

	<b>HD 6mm (91047)</b>
	<b>Ti Nitride HD 6mm (91118)</b>
	<b>HD 8mm (91048)</b>
	<b>Ti Nitride HD 8mm (91119)</b>
	<b>HD 10mm (91049)</b>
	<b>Ti Nitride HD 10mm (91120)</b>
	<b>HD 12mm (91050)</b>
	<b>Ti Nitride HD 12mm (91121)</b>

**Shims and Washers**

	<b>2.5x5mm Washer (91091)</b>
	<b>M3x5.6mm Washer (89528)</b>
	<b>3x6mm Washer (91091)</b>
	<b>3x8mm Washer (89218)</b>
	<b>Rear Hub Spacer (91037)</b>
	<b>Axle Shim (91043)</b>
	<b>Thrust Washer (91090)</b>

**Button Head (bhcs)**

	<b>2x4mm (31510)</b>
	<b>3x4mm (91158)</b>
	<b>3x6mm (31531)</b>
	<b>4-40x1/4" (6288)</b>
	<b>3x8mm (31532)</b>
	<b>3x12mm (89202)</b>
	<b>3x14mm (25187)</b>

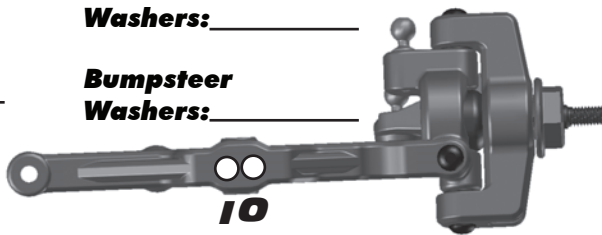
**Ball Bearings**

	<b>3x8x4mm (91002)</b>
	<b>4x8x3mm (31402)</b>
	<b>5x10x3mm (91156)</b>
	<b>6x12x4mm (25238)</b>
	<b>10x16x4mm (91157)</b>
	<b>12x18x4mm (91155)</b>

### Front Suspension

Steering  
 Stop Gap: \_\_\_\_\_

Washers: \_\_\_\_\_  
 Bumpsteer  
 Washers: \_\_\_\_\_



Anti Roll Bar:

- 1.5mm
- 2.0mm
- 2.2mm
- None

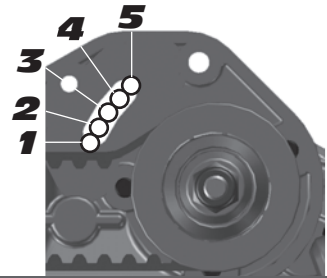


Universal  
 CVA

Camber: \_\_\_\_\_

Toe: \_\_\_\_\_

Ride Height: \_\_\_\_\_



Washers: \_\_\_\_\_  
 Front Pulley:  
 20T (standard)   
 19T (overdrive)   
 Clicker:   
 Full Time 4X4:

### Rear Suspension

Wheelbase:  
 Long   
 Medium   
 Short



Anti Roll Bar:

- 1.5mm
- 2.0mm
- 2.2mm
- None

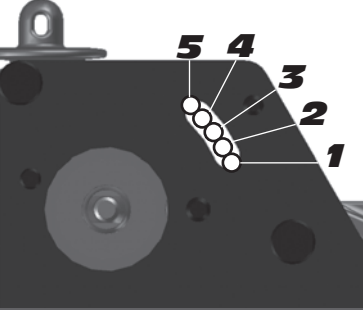


Universal  
 CVA

Camber: \_\_\_\_\_

Ride Height: \_\_\_\_\_

Toe Block: 3-2   
 3-3



Washers: \_\_\_\_\_  
 Rear Pulley:  
 20T (standard)   
 19T (underdrive)   
 Slipper Pad Notes: \_\_\_\_\_

### Front Shocks

Spring: \_\_\_\_\_ Piston: \_\_\_\_\_  
 Shock Fluid: \_\_\_\_\_ Limiter: \_\_\_\_\_  
 Rebound: \_\_\_\_\_ Bladder  Emulsion

### Rear Shocks

Spring: \_\_\_\_\_ Piston: \_\_\_\_\_  
 Shock Fluid: \_\_\_\_\_ Limiter: \_\_\_\_\_  
 Rebound: \_\_\_\_\_ Bladder  Emulsion

### Electronics

Motor & Wind: \_\_\_\_\_  
 Pinion: \_\_\_\_\_  
 Spur Gear: \_\_\_\_\_  
 Batteries: \_\_\_\_\_  
 Battery Placement: Front  Middle  Back   
 Other

Radio: \_\_\_\_\_  
 Throttle / Brake e.p.a: \_\_\_\_\_  
 Throttle / Brake expo: \_\_\_\_\_  
 Servo: \_\_\_\_\_ Steering Expo: \_\_\_\_\_  
 ESC: \_\_\_\_\_  
 ESC Profile: \_\_\_\_\_

### Differentials

Front Diff Fluid: \_\_\_\_\_  
 Rear Diff Fluid: \_\_\_\_\_

### Other

Body Type: \_\_\_\_\_  
 Body Notes: \_\_\_\_\_

### Front Tires

Tire: \_\_\_\_\_ Compound: \_\_\_\_\_  
 Insert: \_\_\_\_\_ Wheel: \_\_\_\_\_  
 Notes: \_\_\_\_\_

### Rear Tires

Tire: \_\_\_\_\_ Compound: \_\_\_\_\_  
 Insert: \_\_\_\_\_ Wheel: \_\_\_\_\_  
 Notes: \_\_\_\_\_

### Race and Vehicle Comments

Qualify: \_\_\_\_\_ Main: \_\_\_\_\_ Finish: \_\_\_\_\_ TQ: \_\_\_\_\_  
 Comments: \_\_\_\_\_

### Track Info

Smooth:  Bumpy:  Blue Groove:   
 Traction: High:  Medium:  Low:   
 Soft Dirt:  Grass:  Clay:  Wet:   
 Dusty:  Other: \_\_\_\_\_





**Associated Electrics, Inc.  
26021 Commercentre Dr.  
Lake Forest, CA 92630 USA**

**<http://www.TeamAssociated.com>**

**<https://www.RC10.com>**

**[https://twitter/Team\\_Associated](https://twitter/Team_Associated)**

**<https://bit.ly/AEonFacebook>**

**call: (949) 544-7500 - fax: (949) 544-7501**

**Check out the following web sites for all of our kits,  
current products, new releases, setup help, tips, and racing info!  
[www.TeamAssociated.com](http://www.TeamAssociated.com) - [www.RC10.com](http://www.RC10.com)**