



# REFLEX 14MT

OFF ROAD MONSTER TRUCK

**BRUSHLESS  
POWERED  
READY-TO-RUN**

#20174 Reflex 14MT, Ready-To-Run

SCALE <b>1:14</b> VEHICLE	<b>RTR</b> READY TO RUN	4 WHEEL DRIVE	ELEC. POWERED	OFF ROAD	2.4GHZ	PRE-PAINTED
---------------------------------	----------------------------	---------------	---------------	----------	--------	-------------

**1:14 Scale Ready-To-Run 4WD Electric Off Road Monster Truck Manual**



**CHAMPIONS by DESIGN**

[AssociatedElectricVehicles.com](http://AssociatedElectricVehicles.com)



## :: Introduction

Thank you for purchasing this Team Associated product. This assembly manual contains instructions and tips for building and maintaining your new vehicle. Please take a moment to read through the manual and familiarize yourself with the steps. We are continually changing and improving our designs; therefore, actual parts may appear slightly different than the illustrations. New parts will be noted on supplementary sheets located in the appropriate parts bags. Check each bag for these sheets before you start to build.

## :: Reflex 14MT RTR Features

- New! Blue/green monster truck body
- New! Durable, impact-absorbing front bumper with LEDs
- New! Rugged adjustable wheelie bar
- New! High-traction all terrain monster truck tires
- New! Full metal diff ring and pinion gears
- 2.4GHz 2-channel radio system
- High-Torque Digital Servo with spring-style servo saver
- Powerful Reedy 4500kV brushless motor
- Water-resistant high-power Reedy brushless speed control with T-plug connector
- Three sealed differentials
- Threaded coil-over shock absorbers
- Adjustable turnbuckles
- Adjustable inserts for caster blocks and rear hubs
- Aluminum steering rack
- Front universal driveshafts
- Molded tub chassis with covered center driveshaft
- Aluminum center driveshaft
- 12mm drive hex

## :: Table of Contents

1..... Cover	4 - 5..... Quick Start Guide
2..... Introduction	6 - 17..... Steps 1 - 34
3..... 1:1 Hardware "Fold Out"	18..... Back Cover

## :: Notes



**There is a 1:1 hardware foldout page in the front of the manual. To check the size of a part, line up your hardware with the correct drawing until you find the exact size. Each part in the foldout has a number assigned to it for ordering replacement parts.**



**This symbol indicates a special note or instruction in the manual.**

## :: Additional

Your new Reflex 14MT RTR comes assembled. The following items are needed for completion

- 2s LiPo battery (#27331 \*compact size, standard 2S LiPo will not fit in chassis)
- Suitable battery charger
- (4) AA batteries

Tools included: • Multi-wrench

## :: Other Helpful Items

- Silicone Shock Fluid (Refer to rc10.com for complete listings)
- Silicone Diff Fluid (Refer to rc10.com for complete listings)
- Body Scissors (AE Part # 1737)
- Reamer / Hole Punch (#1499)
- Shock Pliers (#1681)
- FT Hex/Nut Wrenches (AE Part # 1519)
- Needle Nose Pliers
- Hobby Knife
- Calipers or a Precision Ruler
- Green Slime shock lube (AE Part # 1105)
- Wire Cutters
- FT Dual Turnbuckle Wrench (#1114)
- FT Universal Tire Balancer (#1498)
- Soldering Iron

**Associated Electrics, Inc.**  
21062 Bake Parkway.  
Lake Forest, CA 92630



**Customer Service**  
Tel: 949.544.7500  
Fax: 949.544.7501

**:: Hardware - 1:1 Scale View**

**Flat Head (fhcs)**



**2.5x10mm (31350)**

**Cap Head (shcs)**



**2.5x12mm (8691)**

**Ball Bearings**



**4x7x2.5mm (21512)**



**4x8x3mm (21512)**



**8x12x3.5mm (21512)**

**Flat Head (fhst)**



**2x8mm (21546)**



**2.6x8mm (21546)**



**2.6x10mm (21546)**

**Set Screws**



**3x2.5mm (31500)**



**3x3mm (25225)**



**3x8mm (4670)**

**Button Head (bhcs)**



**2.5x6mm (31520)**

**Nuts (lock/plain)**



**M2.5 Locknut (89215, 21546)**



**M4 Locknuts:  
Serrated Steel (Silver)(91826)  
FT Aluminum (Blue) (31551)  
Serrated Aluminum (Black) (91738)**

**Shims and Washers**



**2.7x6.7x0.5mm (21546)**



**4x8x0.5mm (21516)**

**Button Head (bhst)**



**2.6x6mm (21546)**



**2.6x8mm (21546)**



**2.6x10mm (21546)**

**Notes:**

## :: Quick Start Guide

### Battery Charging Steps and Safety:

Remove the battery from the vehicle before charging.  
Place battery on a fire resistant surface.  
Avoid any contact with water or other liquids.  
Be sure to select the correct charging mode for the type of battery you are charging.

**ALWAYS** use a compatible charger for charging your batteries.

**Caution: Never leave the battery unattended while charging. Always disconnect the charger from the power source when finished charging.**

**Caution: Always disconnect the battery when you are finished driving the vehicle.**



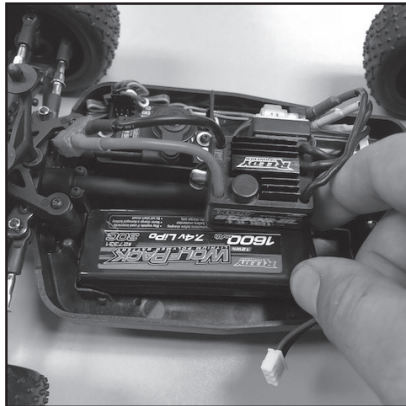
**Peak Detection  
Quick Charger**

## :: Quick Start Guide - (cont.)

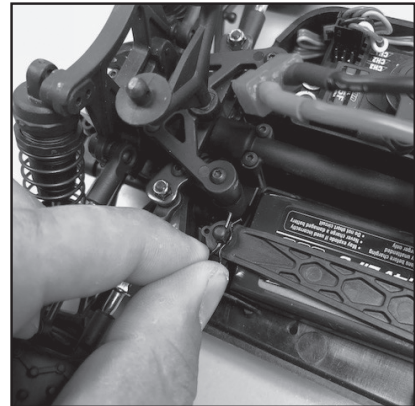
### Battery Installation:

1. Install the battery with the battery wires directed towards the rear of the vehicle.
2. Secure the battery strap using two body clips.

**1**



**2**

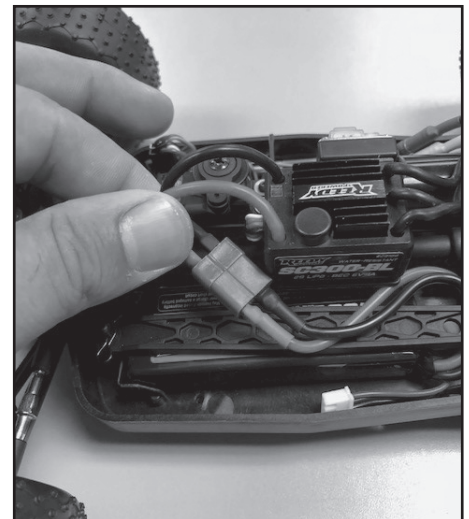


## :: Quick Start Guide - (cont.)

### Battery Notes and Tip:

Connect the battery as shown.  
Disconnect the battery when not in use!

**LiPo:** LiPo batteries (lithium polymer) are high current rechargeable batteries. LiPo batteries offer extended run time and peak performance over NiMH batteries. They require a peak detection charger designed specifically for LiPo batteries. These batteries require special care and handling. LiPo batteries are recommended for advanced users only!  
**ALWAYS** charge a LiPo battery in LiPo mode.



## :: Quick Start Guide - (cont.)

### Radio System Tuning and Controls:

**RULE:** Transmitter on First/Vehicle on Second,  
Vehicle off First/ Transmitter off Last!

- 1) Slide the battery cover to remove cover.
- 2) Install alkaline or rechargeable AA size batteries into the battery holder.
- 3) Slide the battery cover back into place making sure it is completely closed and secure.
- 4) Turn the power ON. If the power indicator LED fails to light, check the batteries for insufficient contact or incorrect polarity.



On/Off Switch

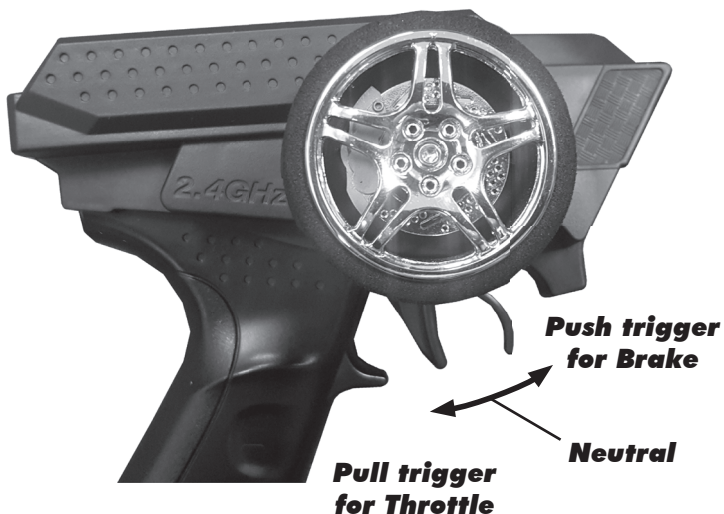
## :: Quick Start Guide - (cont.)

### Radio System Tuning and Controls:

**DO NOT** hold the trigger when turning on the radio.

If using optional battery for transmitter, be sure to plug it in correctly. Plugging in a battery backwards can cause damage.

Refer to Radio owners manual for more in-depth instructions on radio operation and functions.



**Throttle set to Neutral!**

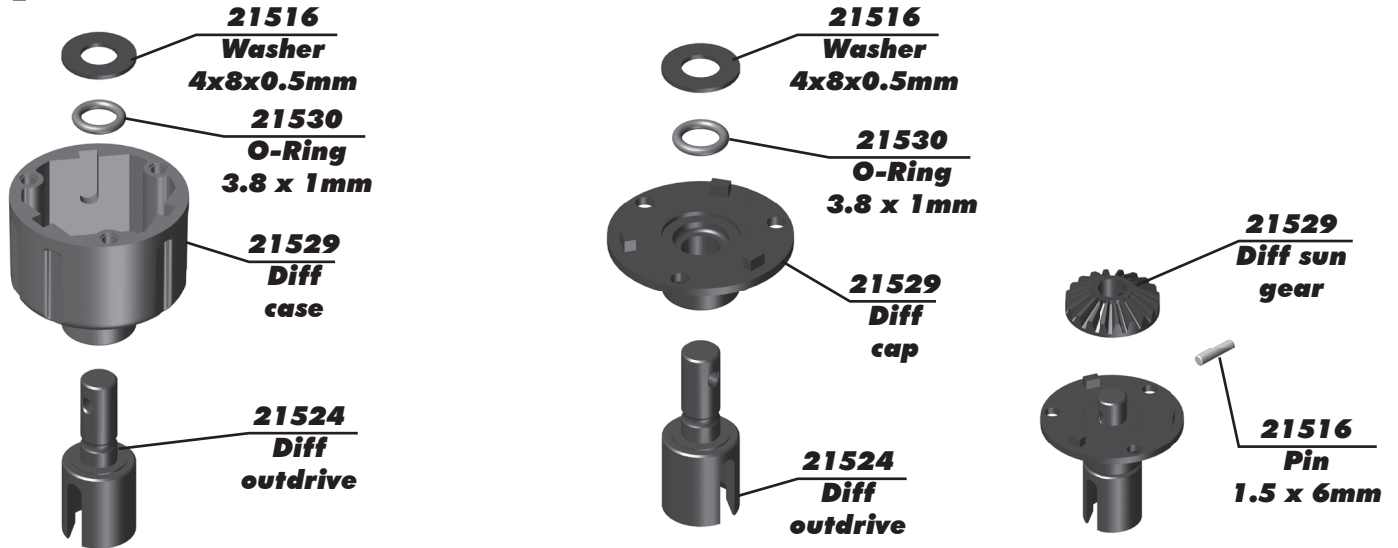


**Adjust steering trim so front wheels point straight.**

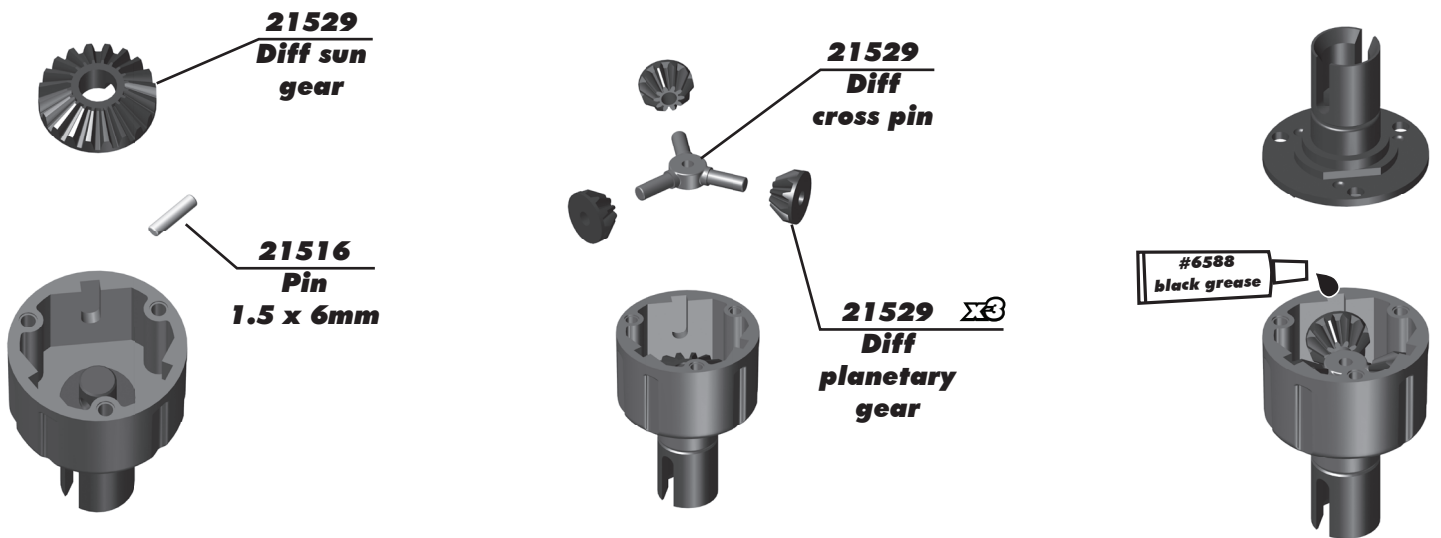


**Install body and body clips.  
Ready to go!**

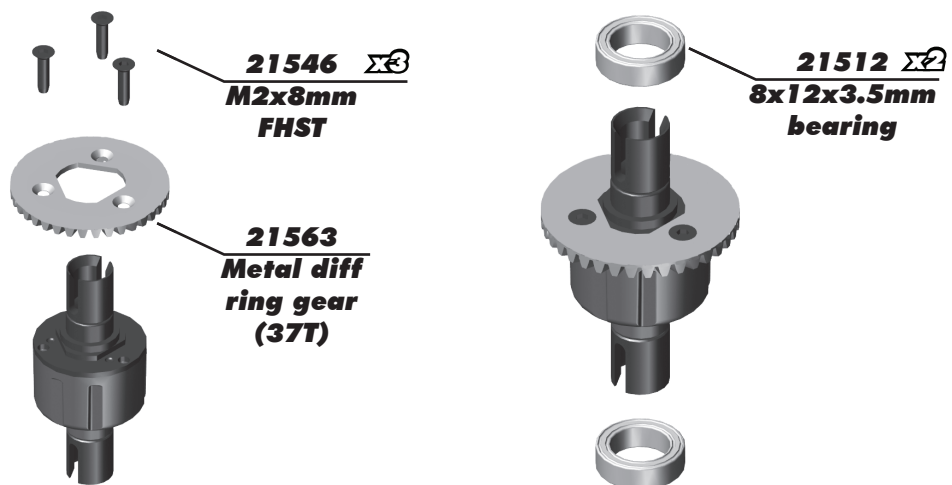
**:: Step 1**



**:: Step 2**



**:: Step 3**

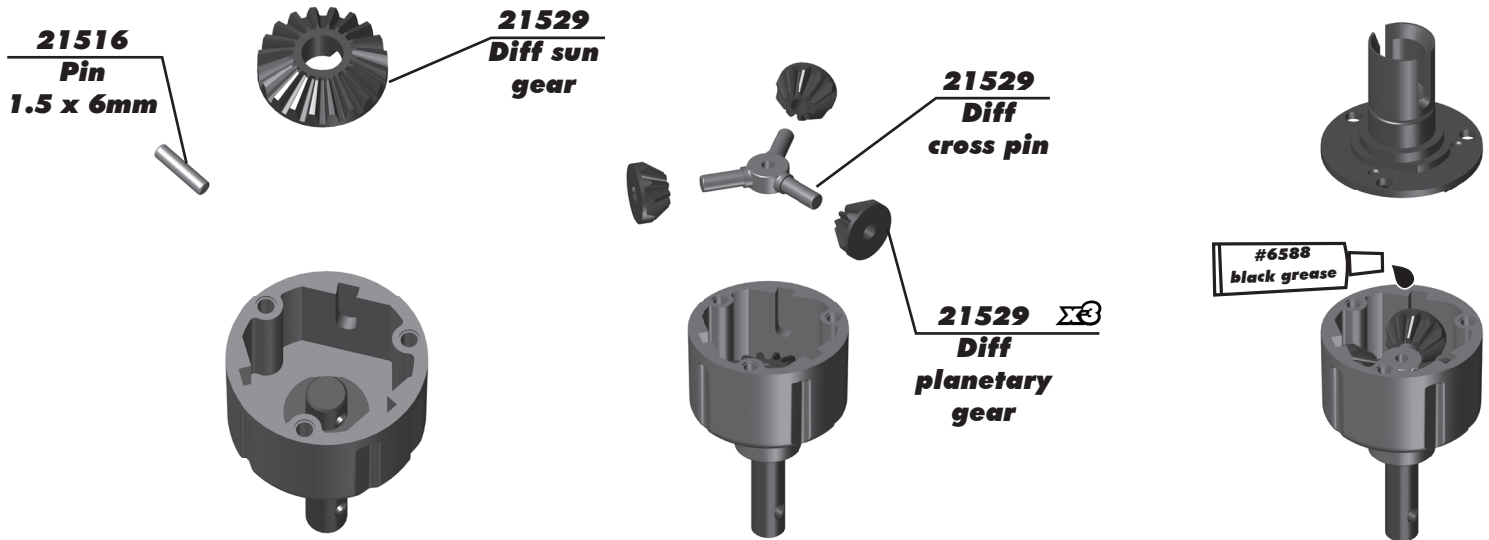


**Build 2 (1 front, 1 rear)**

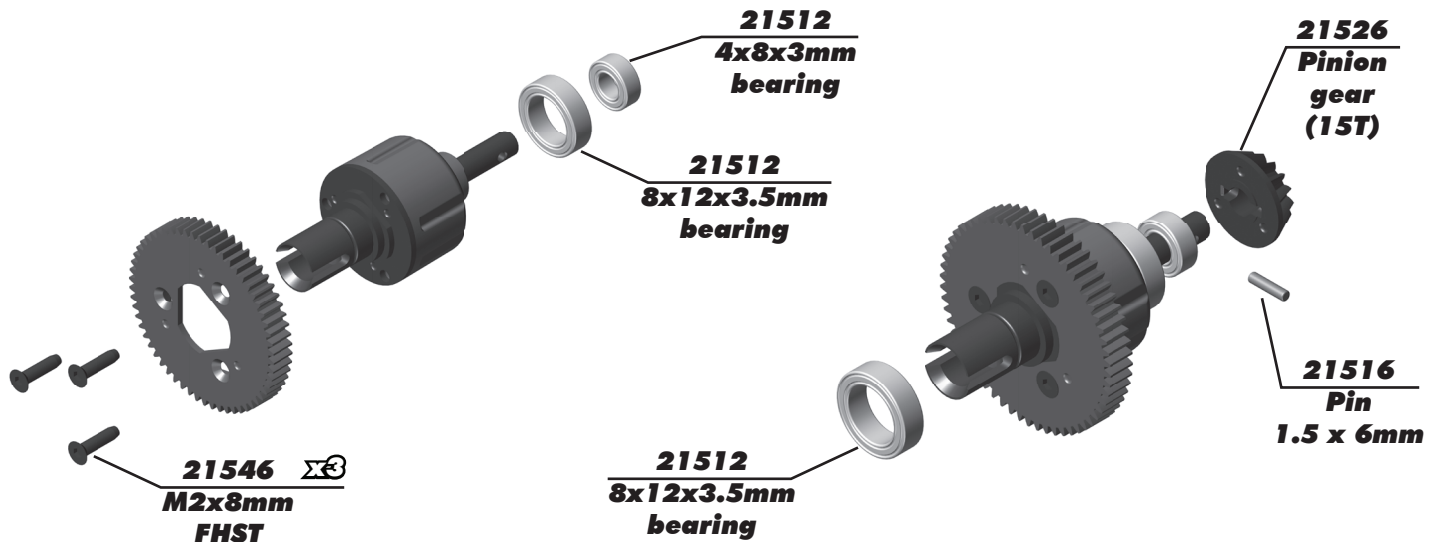
**:: Step 4**



**:: Step 5**



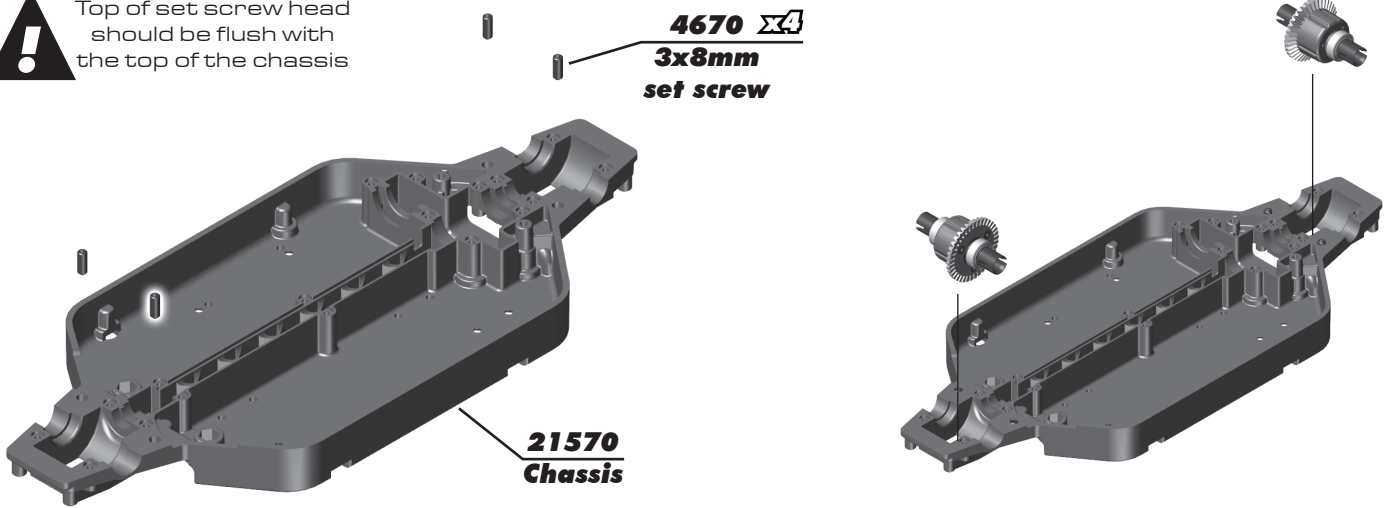
**:: Step 6**



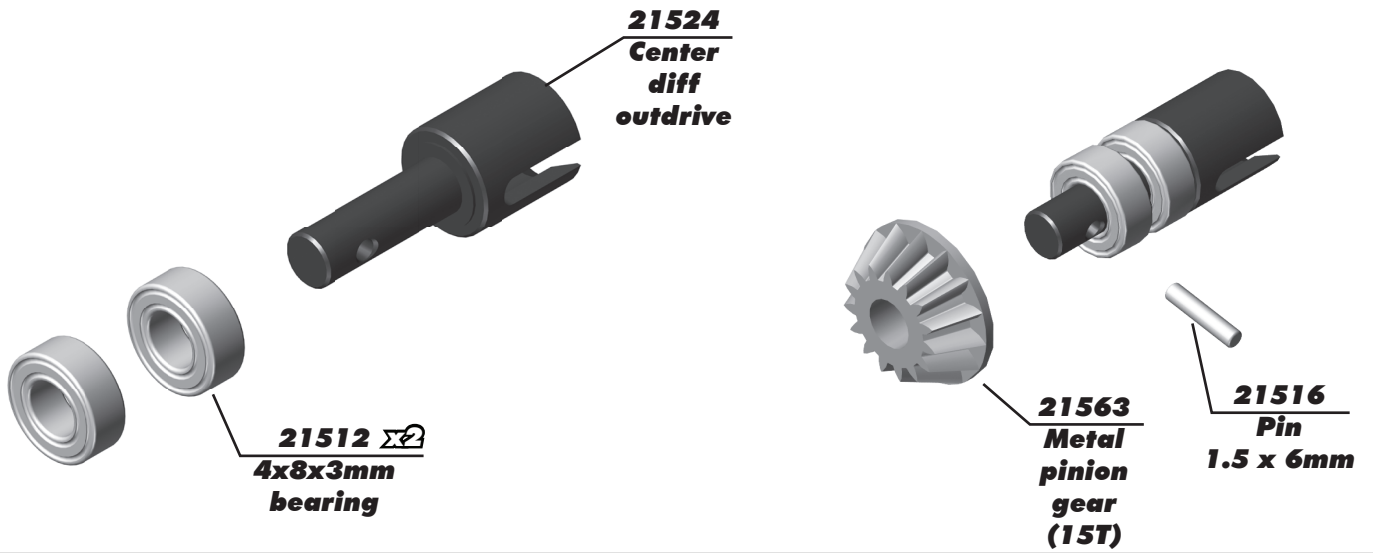
**:: Step 7**



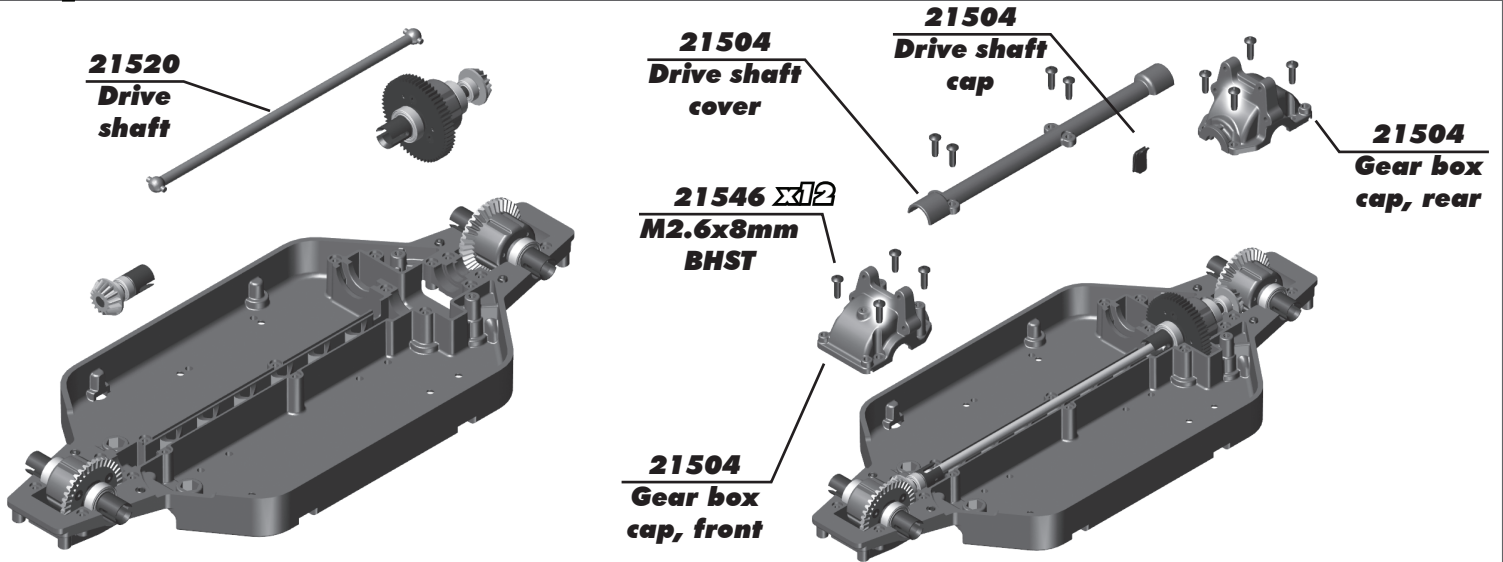
Top of set screw head should be flush with the top of the chassis



**:: Step 8**

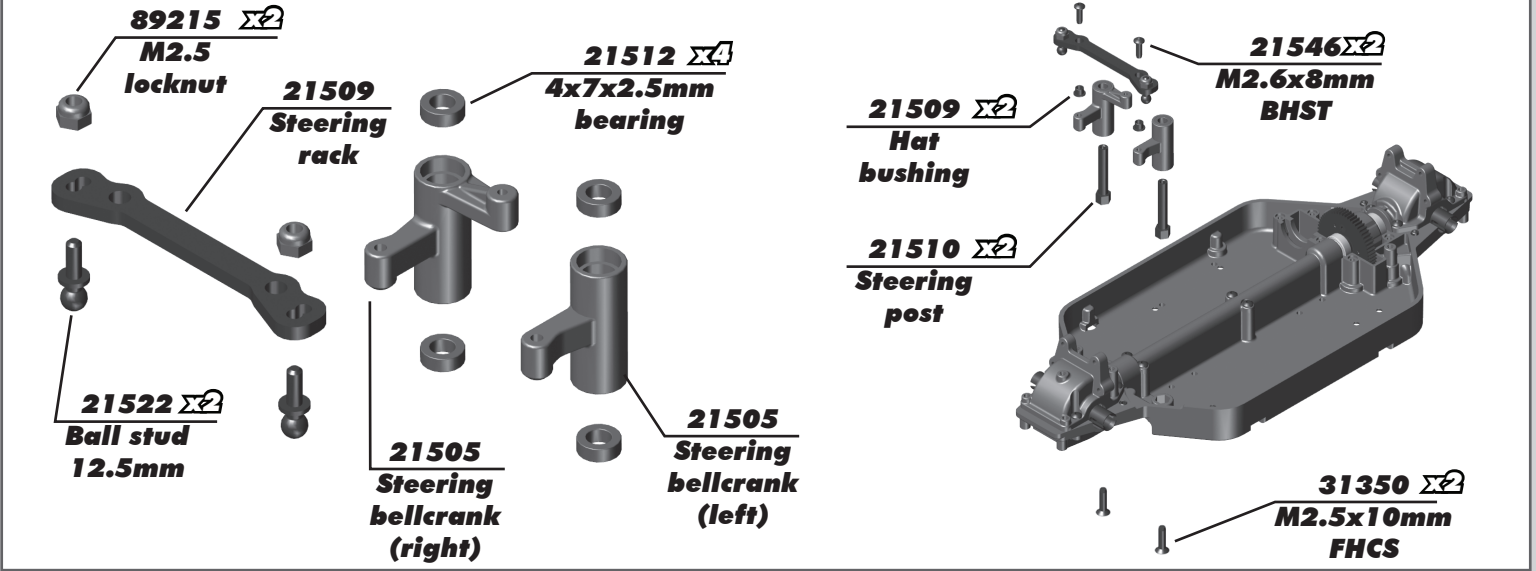


**:: Step 9**

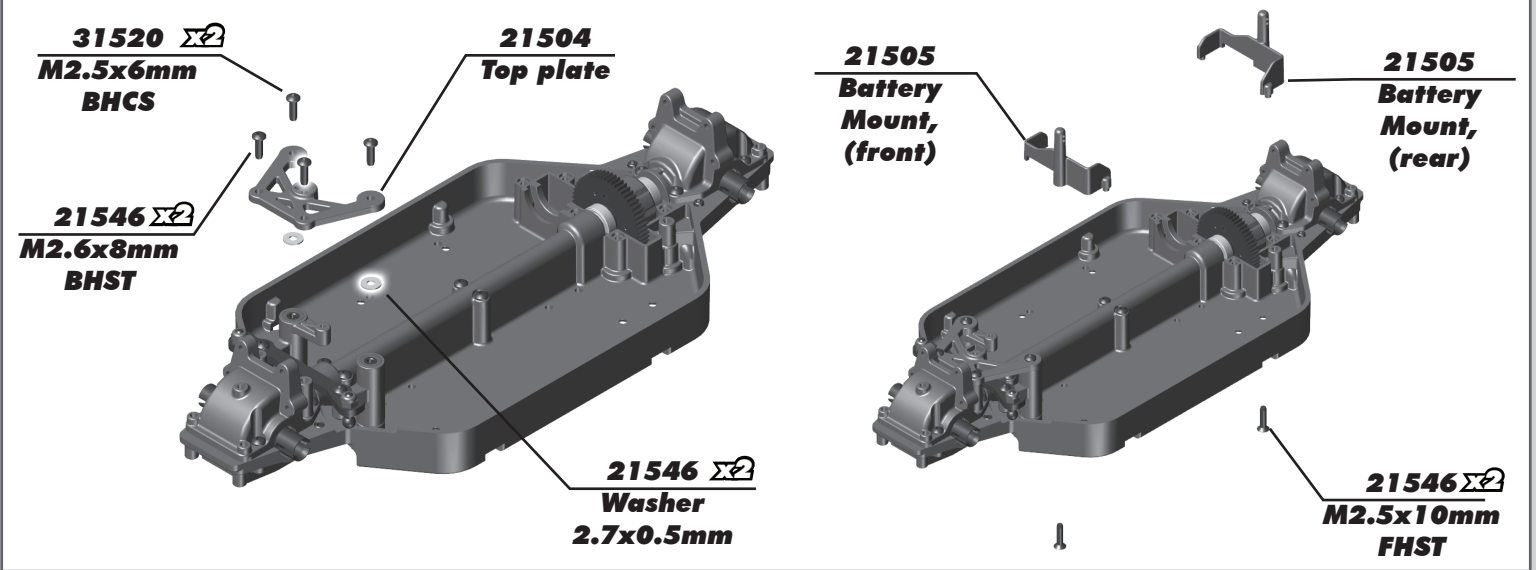




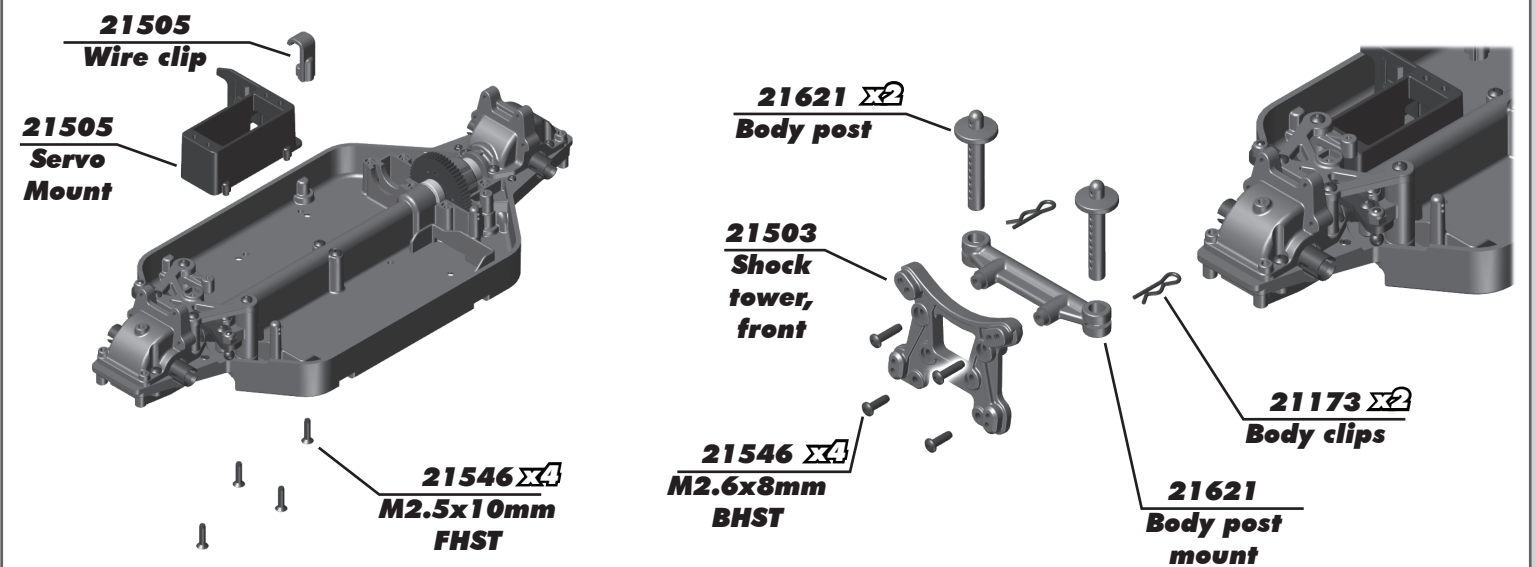
**:: Step 10**



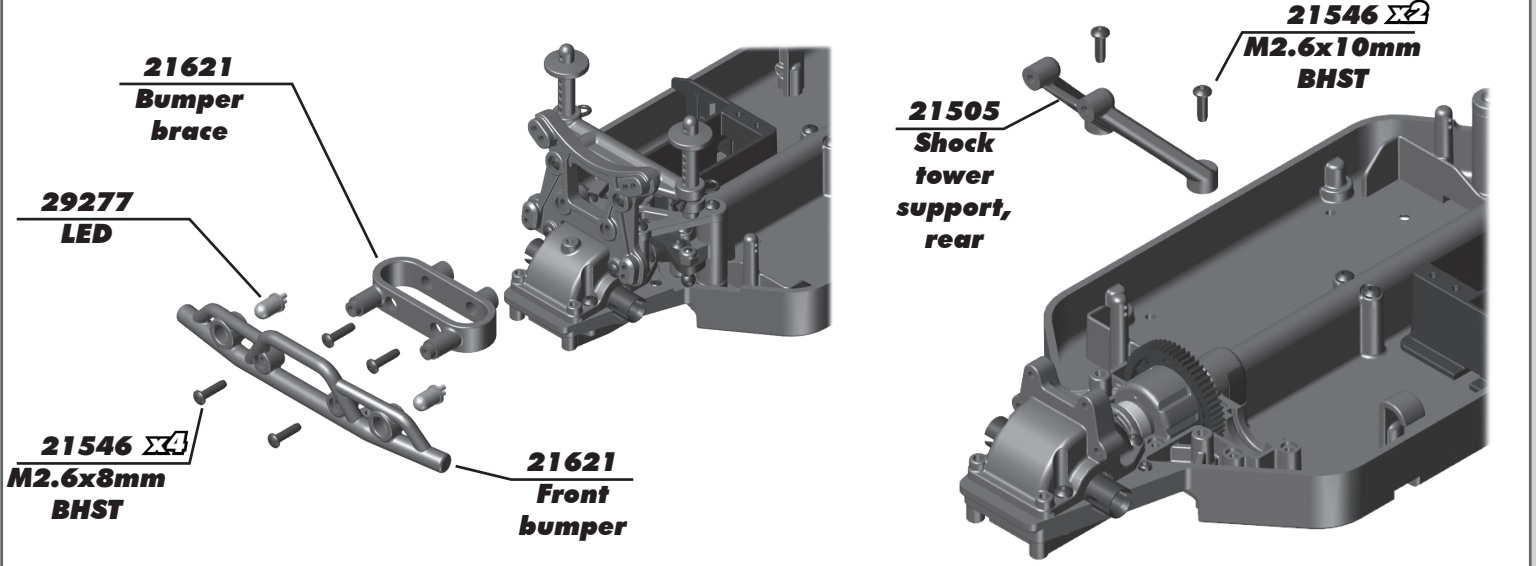
**:: Step 11**



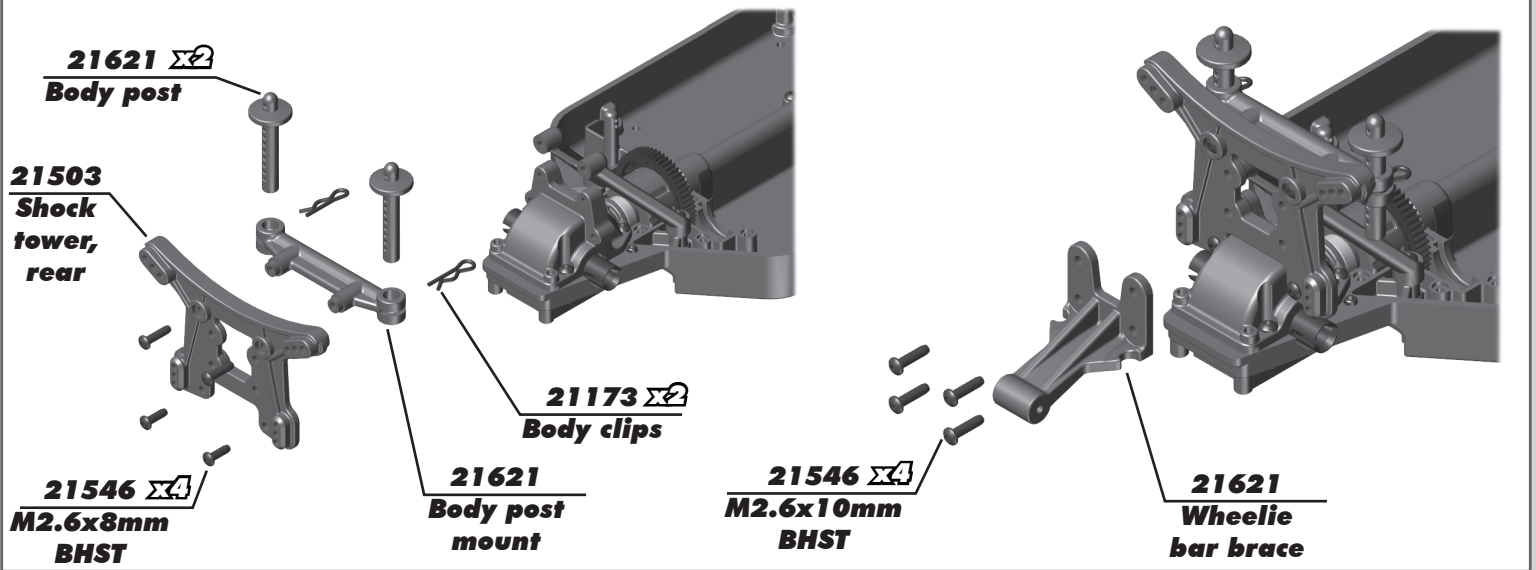
**:: Step 12**



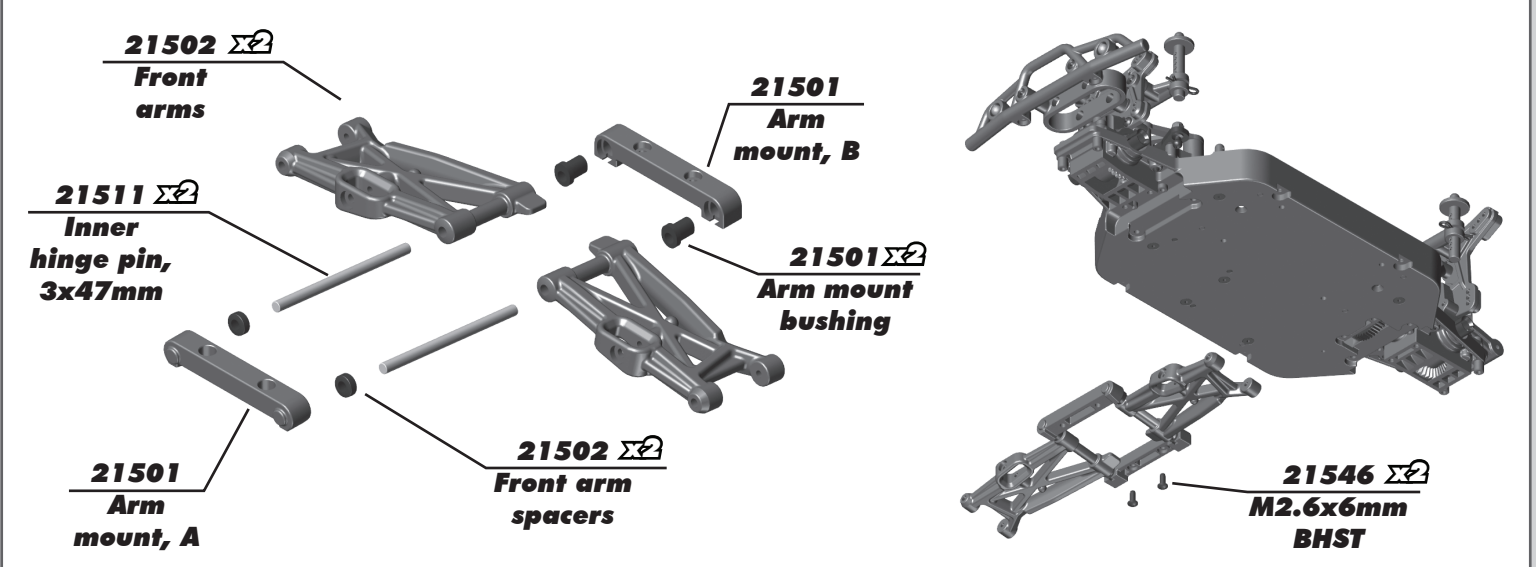
**:: Step 13**



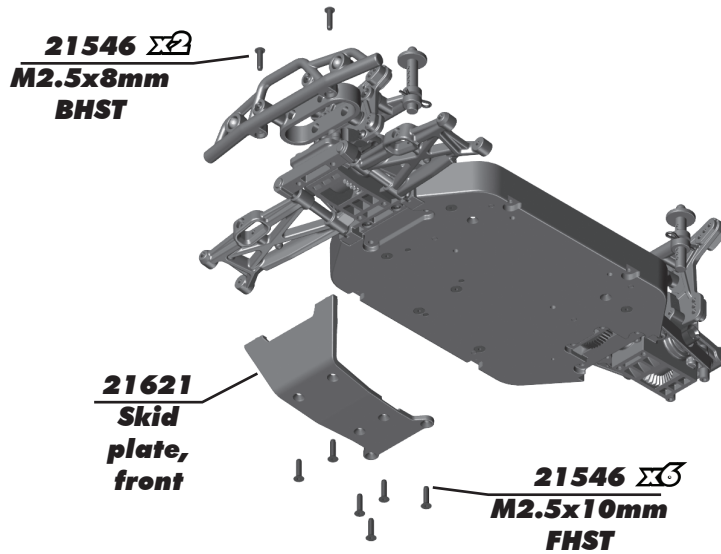
**:: Step 14**



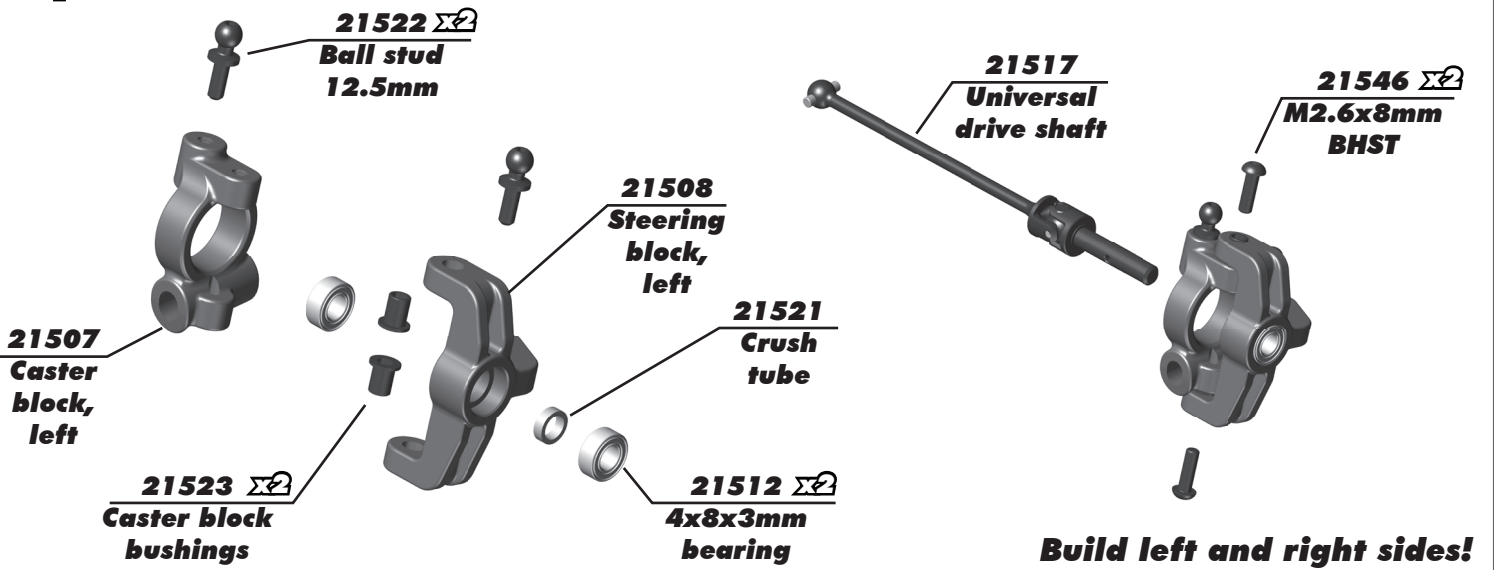
**:: Step 15**



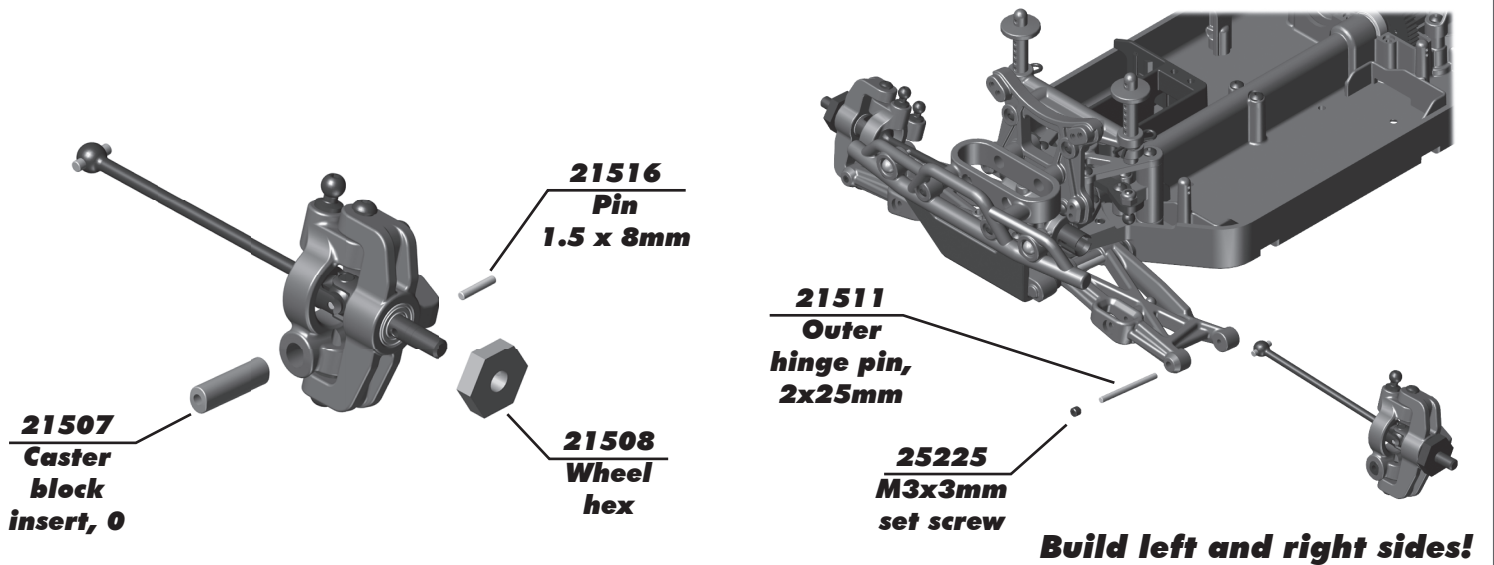
**:: Step 16**



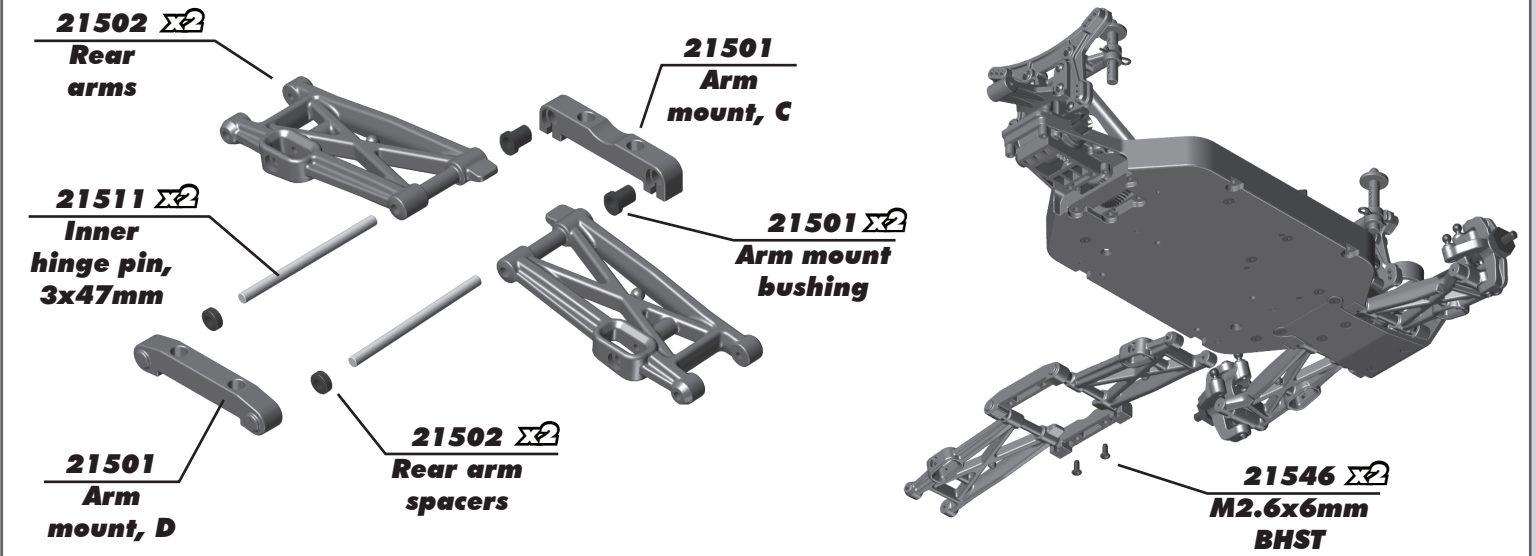
**:: Step 17**



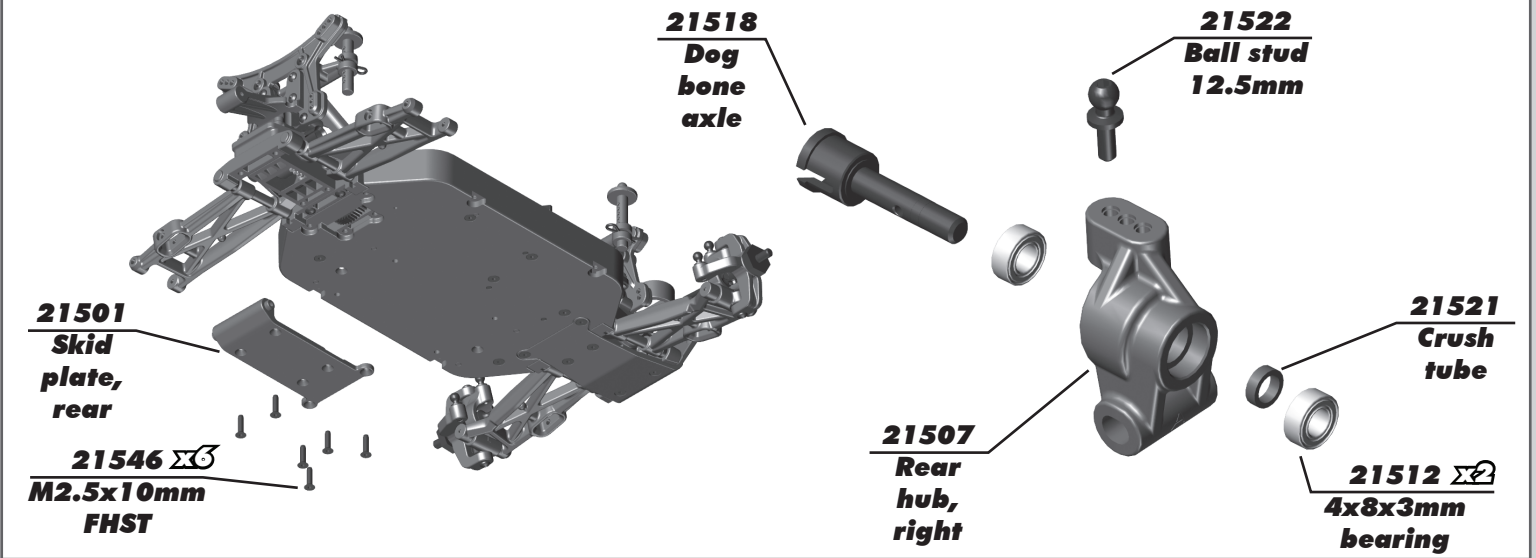
**:: Step 18**



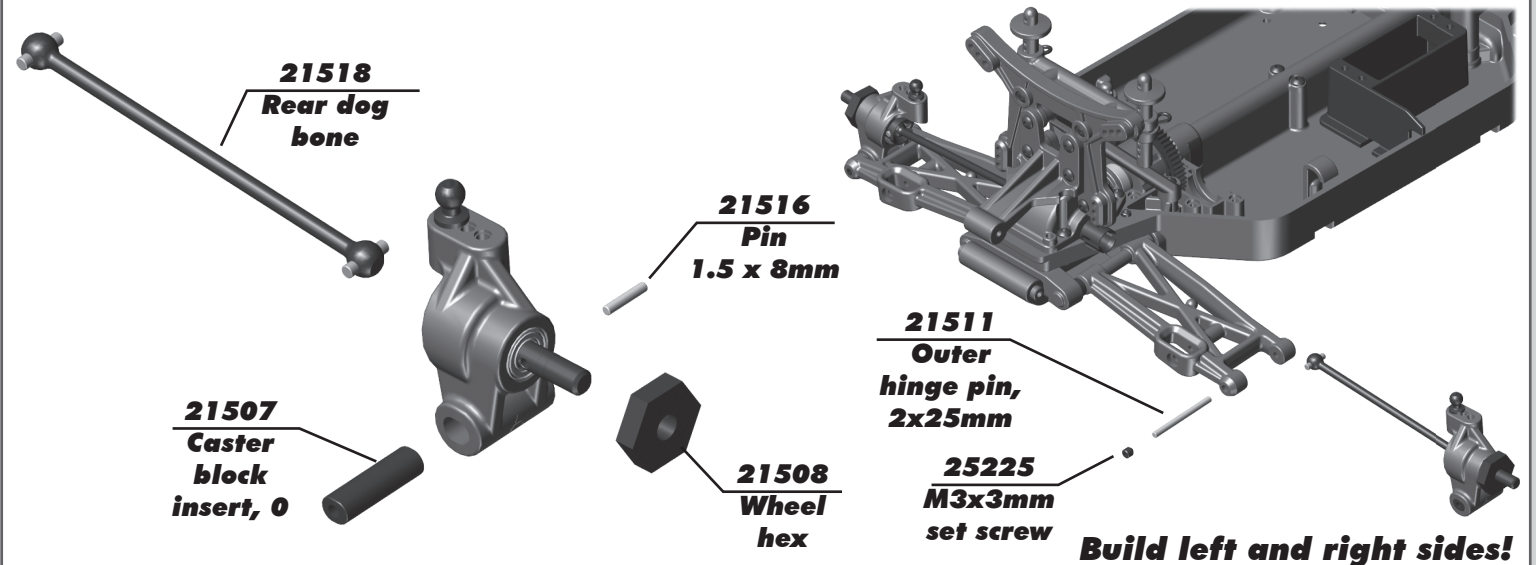
**:: Step 19**



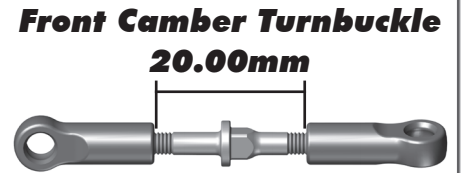
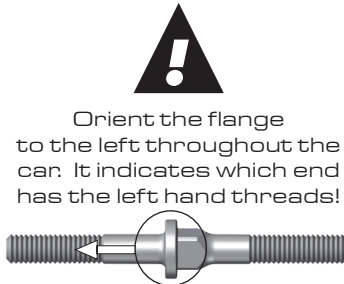
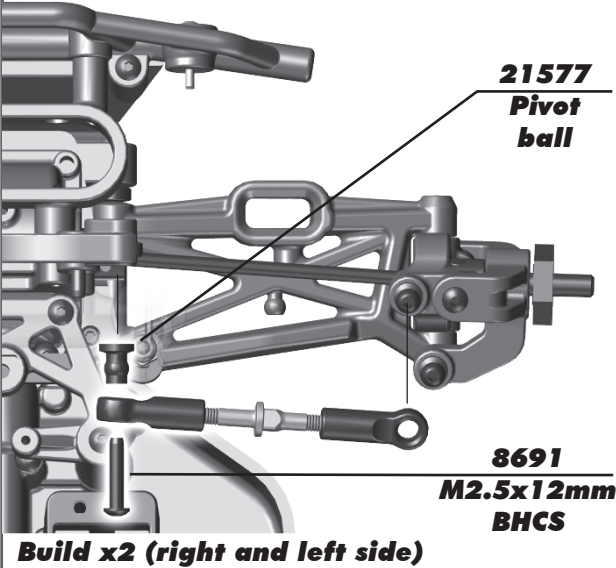
**:: Step 20**



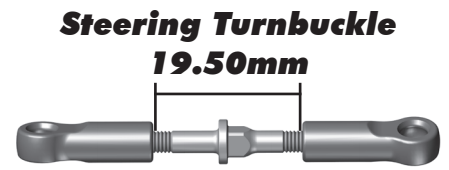
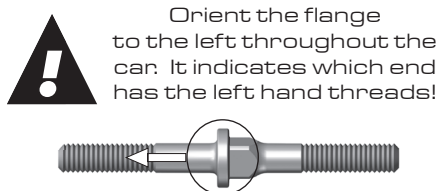
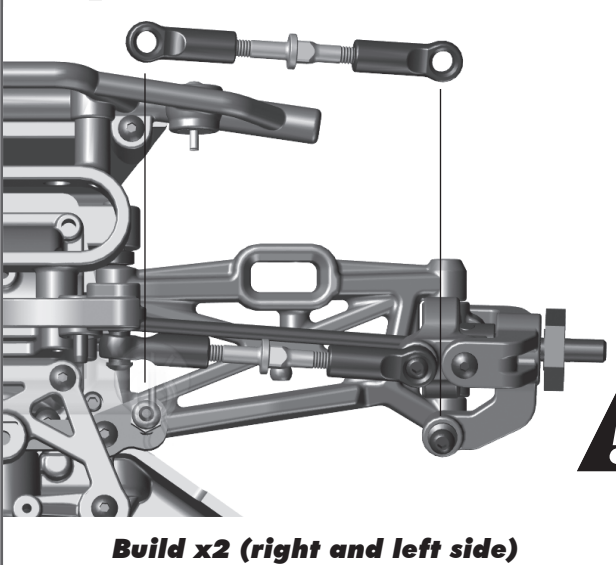
**:: Step 21**



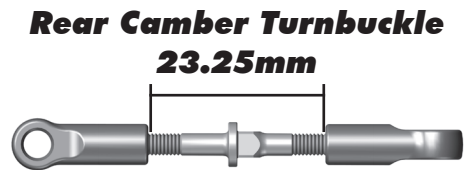
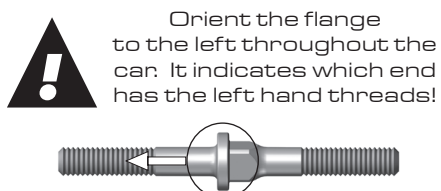
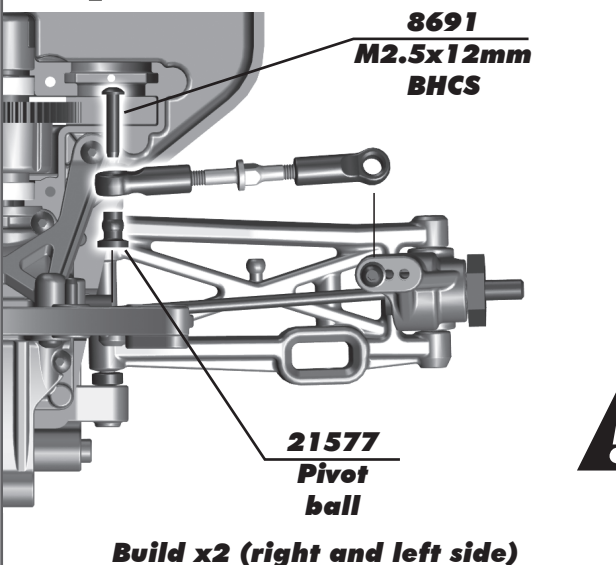
**:: Step 22**



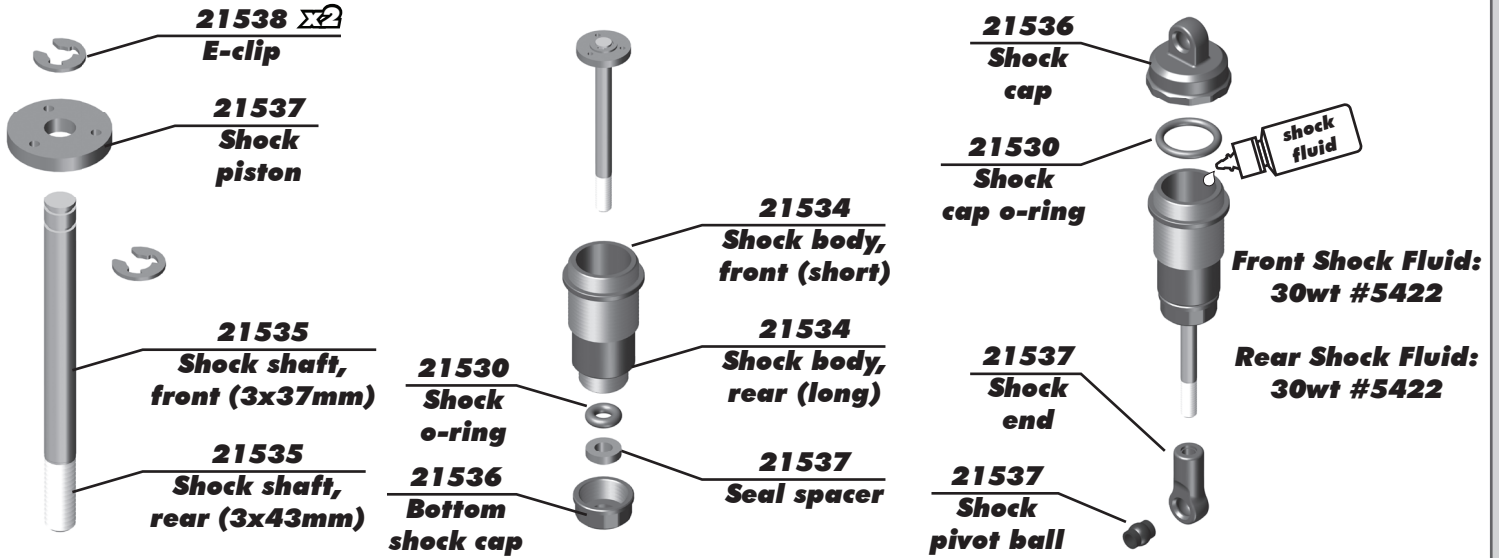
**:: Step 23**



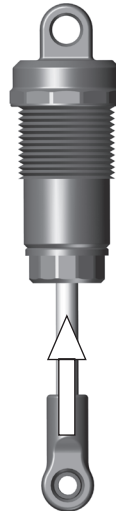
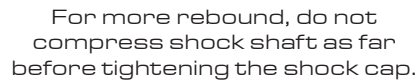
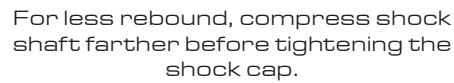
**:: Step 24**



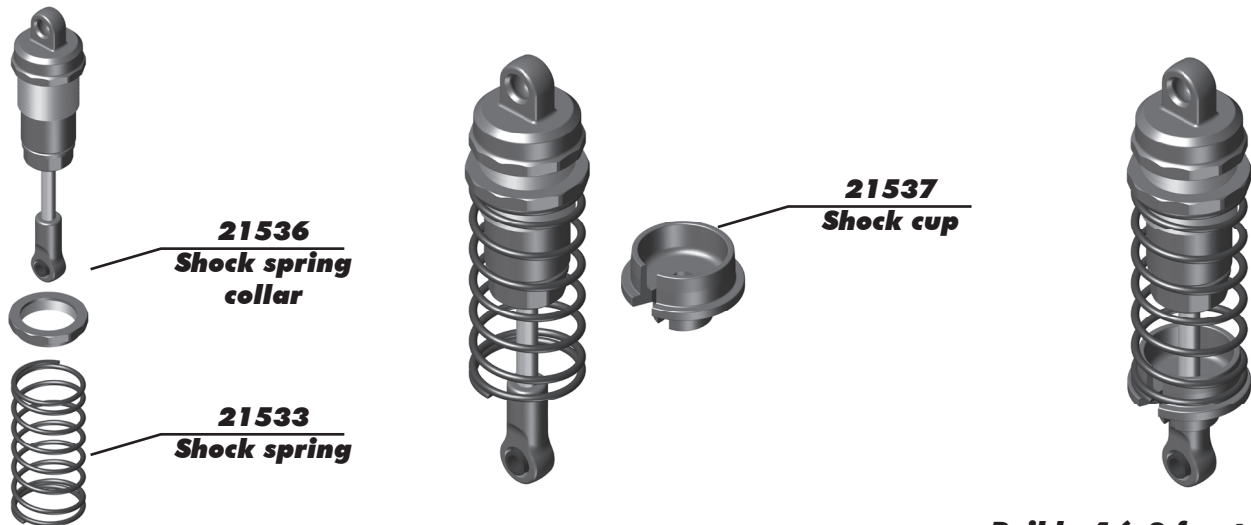
**:: Step 25**



**:: Step 26**

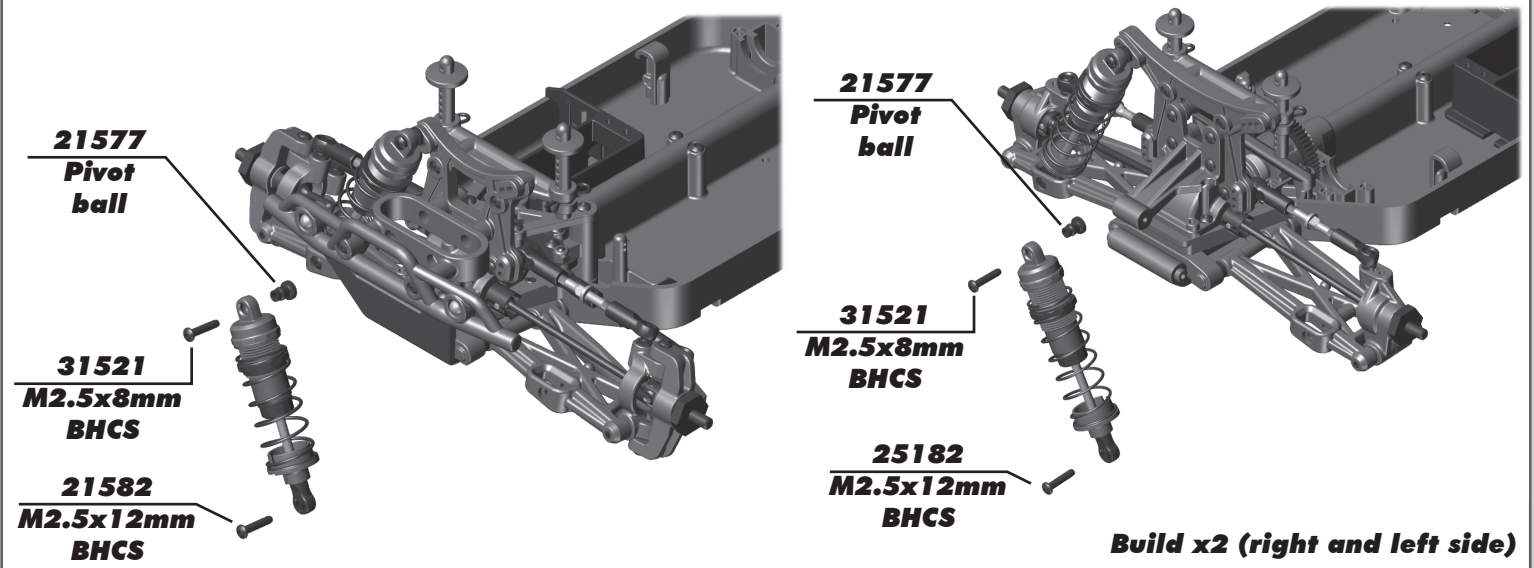


**:: Step 27**

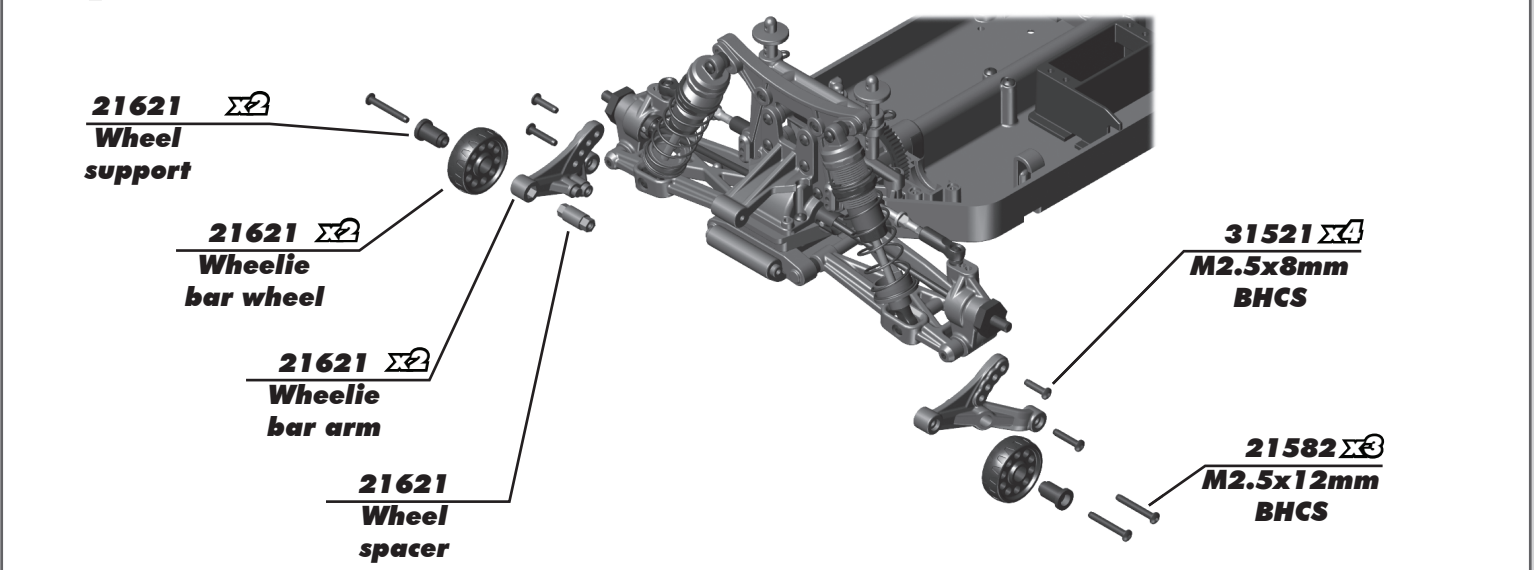


**Build x4 (x2 front, x2 rear)**

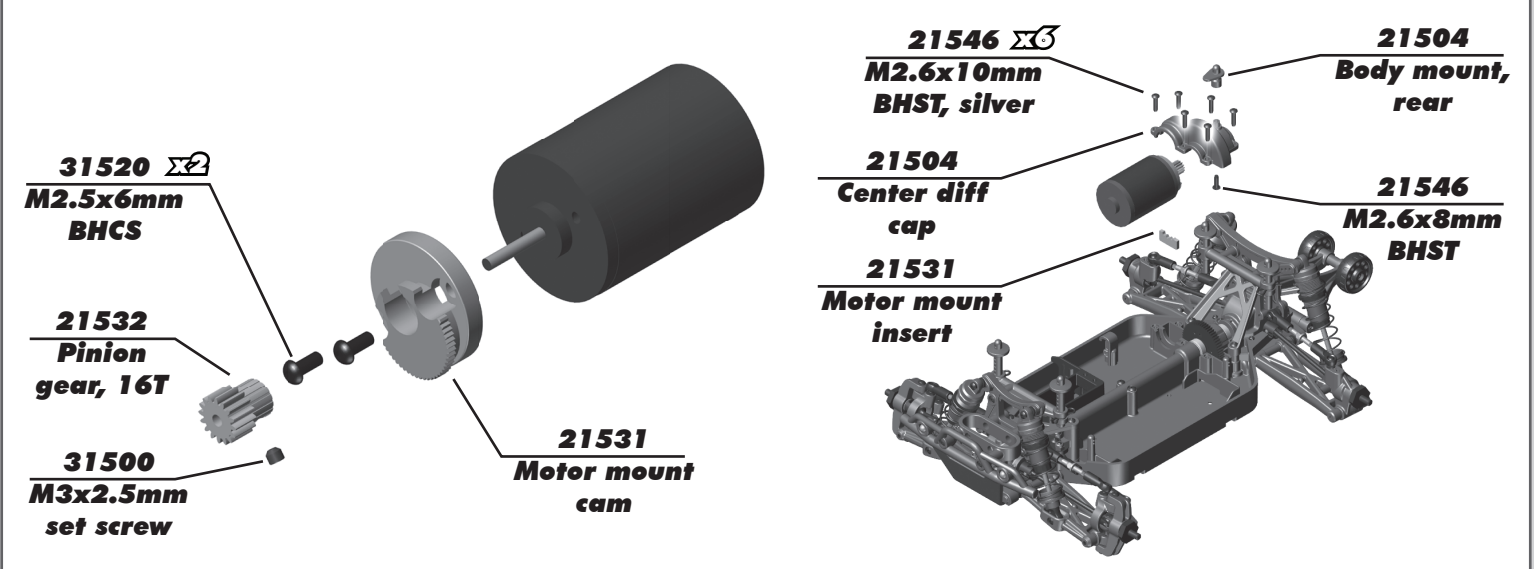
**:: Step 28**



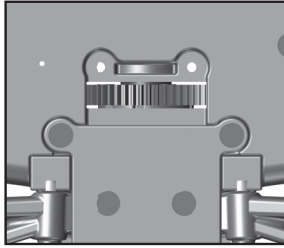
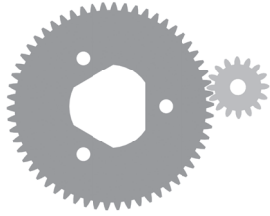
**:: Step 29**



**:: Step 30**

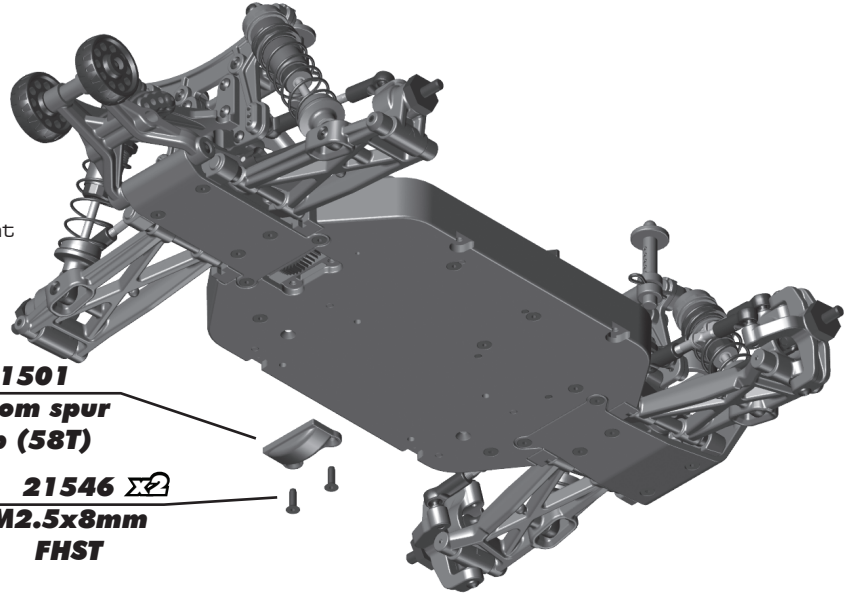


**:: Step 31**




**Set The Gear Mesh:**

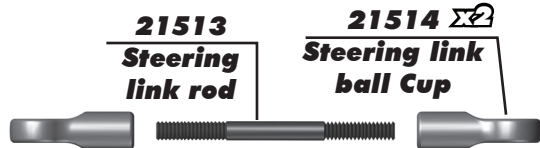
To set the gear mesh, push the teeth of the motor mount cam #21531 into the corresponding tooth pattern of the motor mount insert. Once the teeth are seated, you should be able to rock the spur gear back and forth without making the pinion gear move. Excessive amounts of spur gear movement (loose gear mesh) will cause premature gear failure. If the spur gear mesh is tight, there will be no movement between the spur and pinion gears. A gear mesh that is too tight or too loose will reduce power and damage the gear teeth.



**21501**  
**Bottom spur cap (58T)**

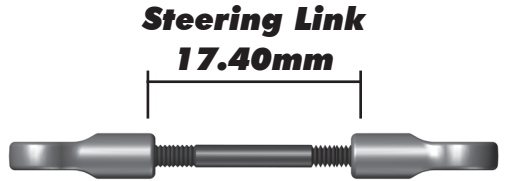
**21546**   
**M2.5x8mm**  
**FHST**

**:: Step 32**

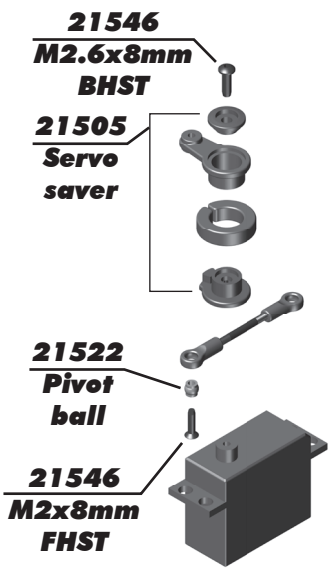


**21513**  
**Steering link rod**

**21514**   
**Steering link ball Cup**



**Steering Link**  
**17.40mm**




**21546**  
**M2.6x8mm**  
**BHST**

**21505**  
**Servo saver**


**21522**  
**Pivot ball**

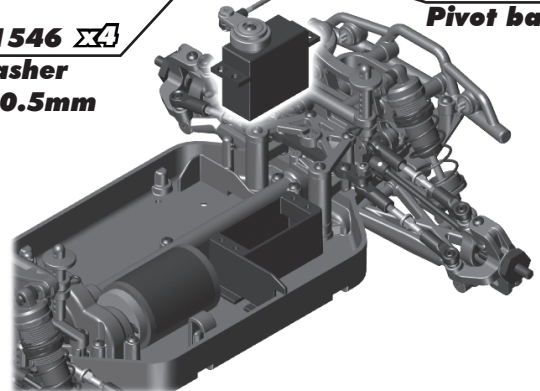
**21546**  
**M2x8mm**  
**FHST**

**21546**   
**M2.6x8mm**  
**BHST**

**21546**  
**M2x8mm**  
**FHST**

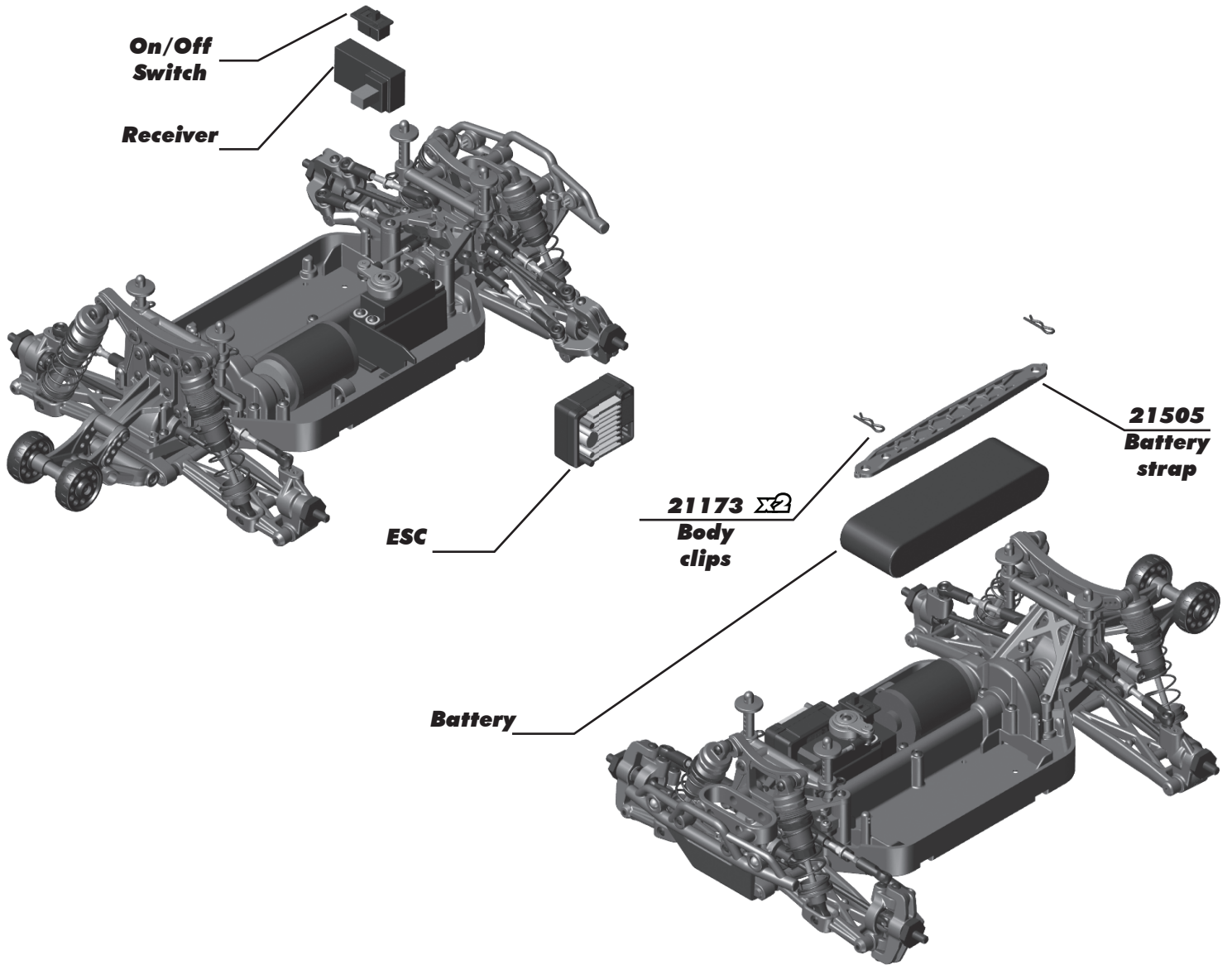
**21522**  
**Pivot ball**

**21546**   
**Washer**  
**2.7x0.5mm**

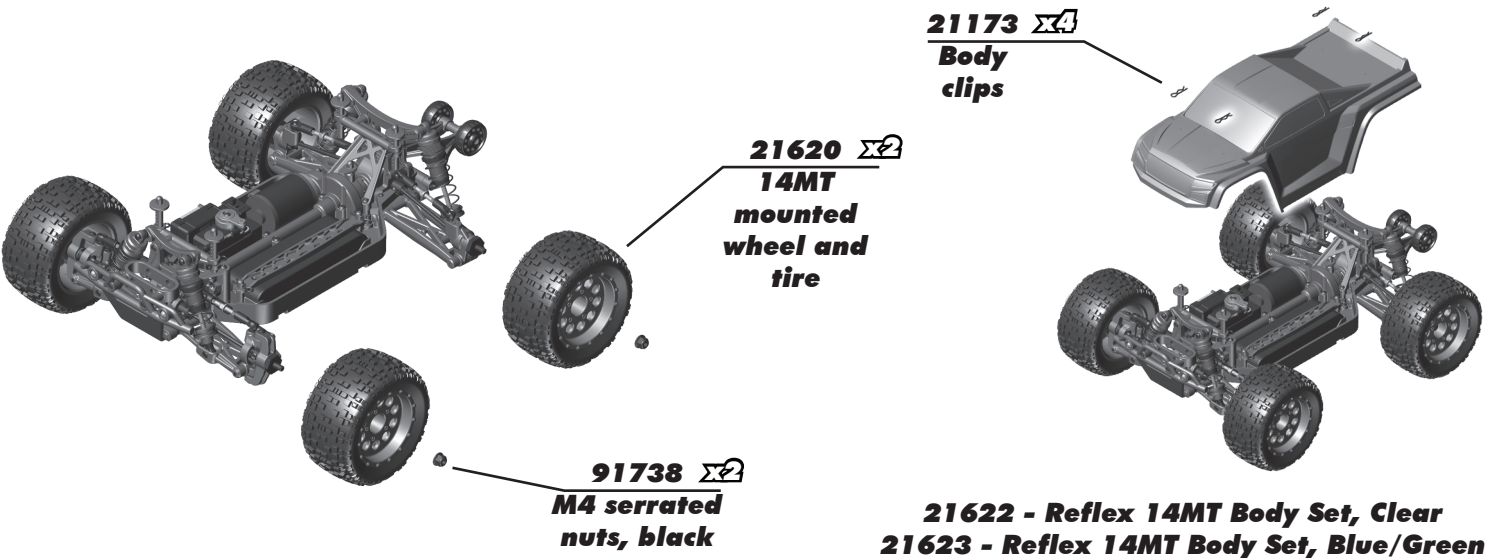




**:: Step 33**



**:: Step 34**



# FIND IT ON ASSOCIATEDELECTRICS.COM

## CARS & TRUCKS



### Vehicle Spare Parts

GO TO:

[AssociatedElectrics.com](#) →  
[Team Associated tab](#) →  
[Cars & Trucks](#) →  
[Scroll to your vehicle](#) →  
[Parts & Accessories link](#)

## SETUP SHEETS & MANUALS



### Setups and Manuals

GO TO:

[AssociatedElectrics.com](#) →  
[Team Associated tab](#) →  
[Manuals & Setups](#) →  
[Scroll to your vehicle](#)

## A-TEAM APPS



### Tuning Guides & Tips

GO TO:

[AssociatedElectrics.com](#) →  
[Support](#) →  
[A-Team Apps](#)



**Associated Electrics, Inc.**

**21062 Bake Parkway Lake Forest, CA 92630 USA**

**call: (949) 544-7500 - fax: (949) 544-7501**

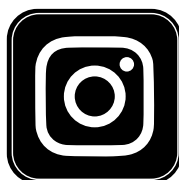
**Check out the following web sites for all of our kits, current products,  
new releases, setup help, tips, and racing info!**

**[www.AssociatedElectrics.com](http://www.AssociatedElectrics.com)**

**FOLLOW US ON SOCIAL MEDIA**



**TeamAssociated**  
**ReedyPower**  
**ElementRC**



**@TeamAssociatedRC**  
**@ReedyPower**  
**@Element\_RC**



**@Team\_Associated**  
**@ReedyPower**