

BRUNO

CLASSIC

BRUNO

FACTORY TEAM

1:10 Scale 4WD Electric
Off Road Monster Truck Kit

TEAM ASSOCIATED

1:10 Scale 4WD Electric Off Road Monster Truck Kit Manual

#20519 NT10 Classic Kit & #20524 NT10 Factory Team Kit



CHAMPIONS *by* DESIGN

AssociatedElectrics.com

TEAM ASSOCIATED



:: Introduction

Thank you for purchasing this Team Associated product. This assembly manual contains instructions and tips for building and maintaining your new vehicle. Please take a moment to read through the manual and familiarize yourself with the steps. We are continually changing and improving our designs; therefore, actual parts may appear slightly different than the illustrations. New parts will be noted on supplementary sheets located in the appropriate parts bags. Check each bag for these sheets before you start to build.

:: MT10 Kit Features

- Clear Body with New Livery Decal Sheet
- CVA Driveshafts front and rear
- All white, dyable plastics
- Gold Anodized Aluminum parts throughout
- New Gold Aluminum Bottom Chassis support
- New Gold Aluminum top deck chassis support
- White Dyable Monster Truck Method Wheels
- CNC Gold Caster Blocks
- CNC Gold Steering Spindles
- Three sealed gear differentials
- 12mm hex wheels inspired by Method Race Wheels
- High-traction all terrain tires
- Four-wheel independent suspension
- Threaded, Aluminum, Gold, oil-filled, coil over shock absorbers
- 4mm heavy-duty adjustable steel turnbuckles
- Steel center drive shaft
- Rugged adjustable wheelie bar
- Durable, impact-absorbing front bumper with LED mounts

:: Table of Contents

1..... Cover	11..... Center Diff - Bags 8
2..... Introduction	11..... Rear Clip and Electronics - Bags 2, 3, 4,
3..... 1:1 Hardware "Fold Out"	14..... Front Bumper - Bags 1, 4, 9
4..... Front and Rear Diffs - Bag 7	16..... Rear Wheelie Bar - Bags 10
4..... Steering Bell Crank - Bag 3	17..... Anti-Roll Bars - Bag 13
5..... Front End - Bags 1, 3, 5, 11, 12	18..... Shocks - Bag 14
8..... Chassis - Bags 1, 2, 4, 5	20..... Exhaust, Wheels & Tires, Body - Bags 1, 2, 12, 15, 16
9..... Rear End - Bags 2, 6, 11, 12	

:: Additional

Your new MT10 Kit comes unassembled and requires the following items for completion (refer to www.AssociatedElectrics.com and www.Reedypower.com for suggestions):

- R/C two channel surface frequency radio system
- Steering servo
- AA-size batteries for transmitter
- Electronic Speed Control ("ESC")
- R/C electric motor (540 size)
- Pinion gear (48P), size determined by type/turn or kV of motor
- Battery charger (a peak detection charger, or LiPo compatible charger)

- 2-3 cell LiPo battery pack
- Polycarbonate specific spray paint
- Cyanoacrylate glue ("CA") (#1697)
- Thread locking compound (#1596)

Tools included:

- 1.5mm, 2.0mm, 2.5mm Wrenches

:: Other Helpful Items

- Silicone Shock Fluid (Refer to catalog for complete listings)
- Silicone Diff Fluid (Refer to catalog for complete listings)
- Body Scissors (AE Part # 1737)
- Reamer / Hole Punch (#1499)
- Shock Pliers (#1681)
- Wire Cutters
- FT Hex/Nut Wrenches (AE Part # 1650)
- Needle Nose Pliers
- Hobby Knife
- Soldering Iron
- Calipers or a Precision Ruler
- Green Slime shock lube (AE Part # 1105)
- FT Turnbuckle Wrench (#1114)
- FT Universal Tire Balancer (#1498)

:: Hardware - 1:1 Scale View

Button Head (bhcs)

	2.5x5mm (31519)
	2.5x6mm (31520)
	3x4mm (91158)
	3x6mm (31531)
	3x8mm (31532)
	3x10mm (25211)
	3x12mm (89202)
	3x14mm (25187)
	3x16mm (89203)
	3x18mm (2308)
	3x20mm (25188)
	3x22mm (25189)
	3x38mm (25837)
	4x10mm (89206)
	4x12mm (89207)
	4x14mm (81260)

Set Screws

	3x3mm (25225)
	3x12mm (81258)
	4x12mm (25824)

Socket Head (shcs)

	2x10mm (25801)
	2.5x6mm (41079)
	3x18mm
	5x75mm (25837)

Flat Head (fhcs)

	2.5x8mm (31448)
	2.5x12mm
	3x6mm (31541)
	3x8mm (25201)
	3x10mm (25202)
	3x12mm (25203)
	3x14mm (89208)
	3x18mm (89209)
	3x20mm (89210)
	4x10mm (81262)
	4x12mm (89214)

Nuts (lock/plain)

	Plain M3 Nut (91477)
	M3 Alum. Locknut, Blue (31550)
	M3 Locknut, Black (25215)
	M4 Locknuts:
	Serrated Steel (Silver)(91826)
	FT Aluminum (Blue) (31551)
	Serrated Aluminum (Black) (91738)
	M5 Locknut w/Flange (25837)

Ball Bearings

	5x8x2.5mm (8680)
	5x11x4mm (25618)
	10x15x4mm (91563)
	8x16x5mm (91564)
	12x18x4mm (25843)

Shims and Washers

	2.5x6x0.2mm (25805)
	5x7x0.3mm (92143)
	3x10x0.3mm
	3.2x10x0.2mm (25810)
	3.6x10x0.2mm (25812)
	5x12x0.2mm (25810/25812)
	8x12x0.5mm
	11x14x0.4mm (25866)

:: Notes



There is a 1:1 hardware foldout page in the front of the manual. To check the size of a part, line up your hardware with the correct drawing until you find the exact size. Each part in the foldout has a number assigned to it for ordering replacement parts.



This symbol indicates a special note or instruction in the manual.

:: Bag 7 - Step 1

25810 Sun Gear Shim

25810 Diff O-Ring

25868 Diff Case (Front/Rear) White

91563 10x15x4mm Bearing

25847 Diff Outdrive

? Diff Case (Front/Rear) Gray

25810 Sun Gear Shim

25810 Diff O-Ring

25808 Ring Gear, 37T

91563 10x15x4mm Bearing

25847 Diff Outdrive

25810 Sun Gear

25810 Input Pin

25810 Sun Gear

25810 Input Pin

Build 2 (1 front, 1 rear)

:: Bag 7 - Step 2

25810 X2 Diff Cross Pin

25810 X4 Planetary Gear

25810 X4 Planetary Gear Shim

2.5x12mm FHCS

25808 Diff Gasket

diff fluid

#6358 black grease

Front Diff Fluid: 60k cst #5458

Rear Diff Fluid: 3k cst #5452

Build 2 (1 front, 1 rear)

:: Bag 3 - Step 3

25805 Upper Servo Saver Arm, Black

25866 Upper Servo Saver Arm, White

25866 Shim 11x14x0.4

25805 Servo Saver Spring

25866 Servo Saver Spring

25866 Servo Saver Tube, White

25805 Servo Saver Tube, Black

25866 Lower Servo Saver Arm, White

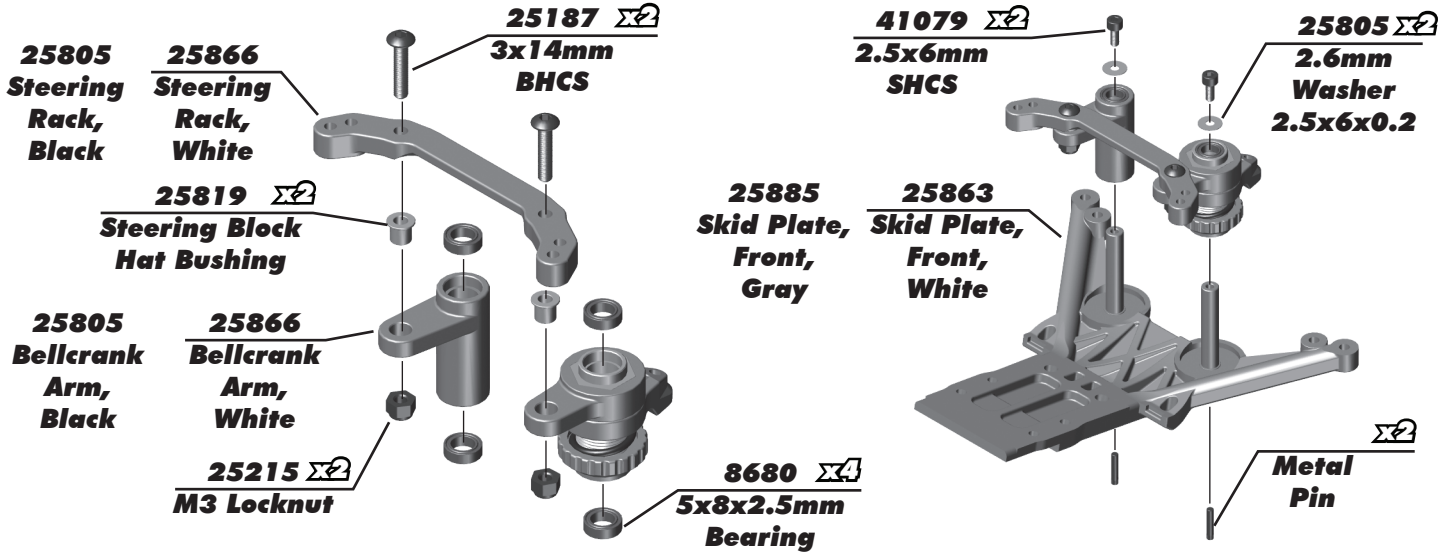
25805 Lower Servo Saver Arm, Black

25866 Servo Saver Spring Collar, White

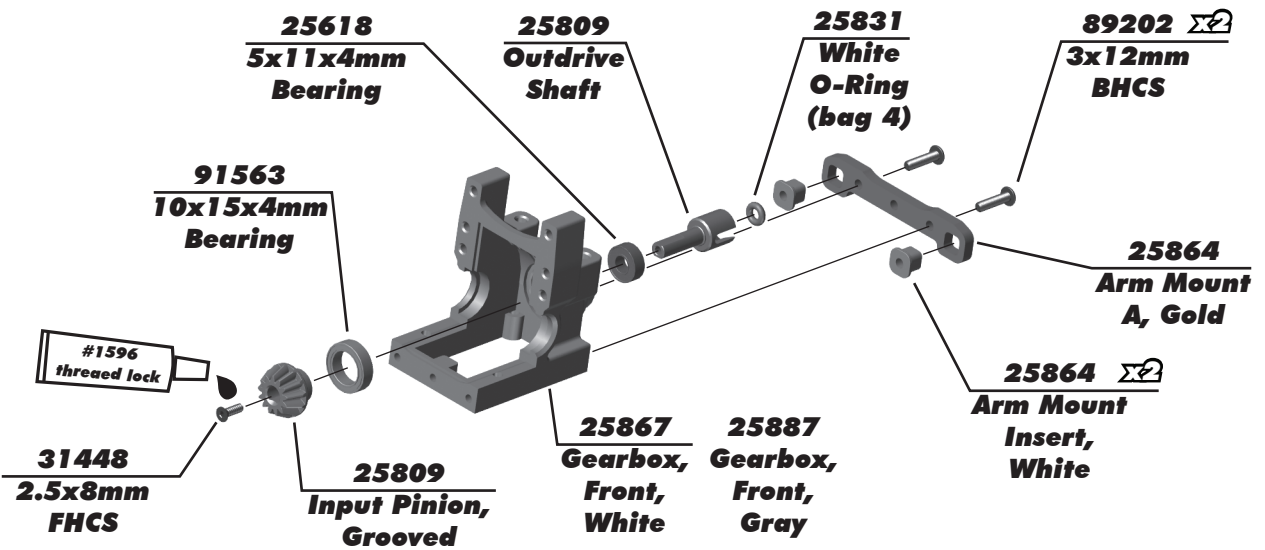
25805 Servo Saver Spring Collar, Black

2.5mm

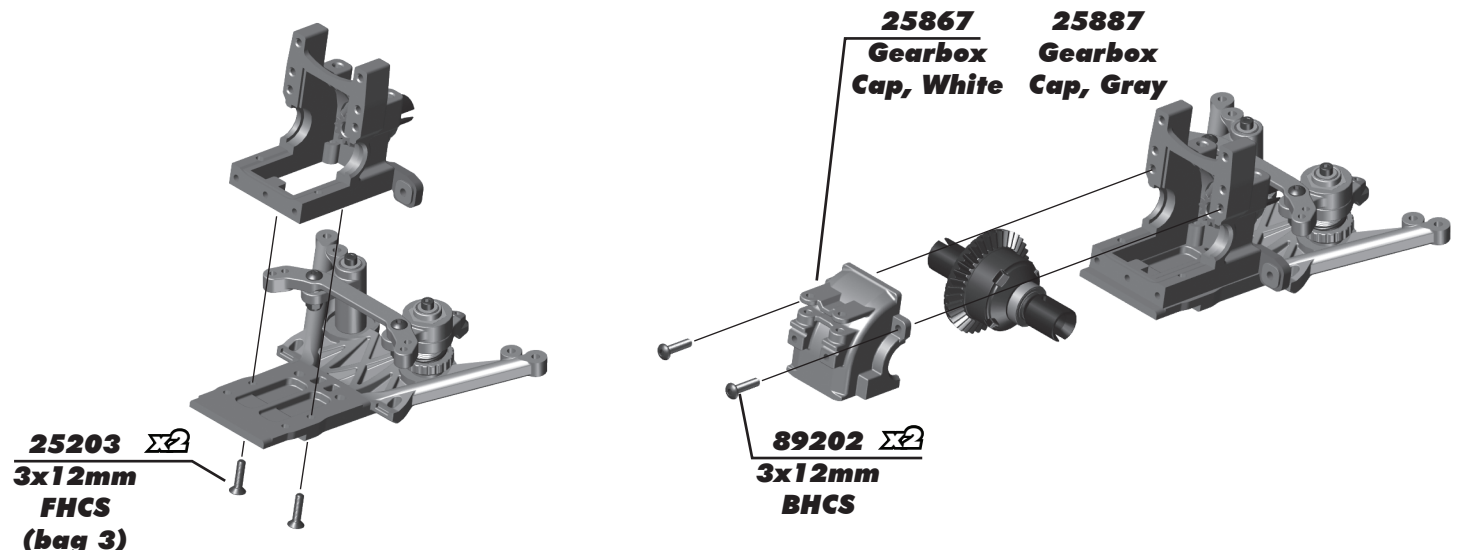
:: Bag 3 - Step 4



:: Bag 1 - Step 5



:: Bags 1, 3 - Step 6



:: Bag 1, 5 - Step 7

25864 Σ
**Arm Mount
 Insert,
 White**

25864
**Arm Mount
 A, Gold**

25211 Σ
**3x10mm
 BHCS**

25803 Σ
**Inner
 Hinge Pin**

25865 Σ
**Front Arm,
 White
 (bag 5)**

25886
**Front Arm,
 Gray
 (bag 5)**

:: Bag 1, 5 - Step 8

25888
**Front Shock
 Tower,
 Gray**

25870
**Front Shock
 Tower,
 White**

25211 Σ
**3x10mm
 BHCS**

89202 Σ
**3x12mm
 BHCS**

6332 Σ
**Body
 Clip**

25871 Σ
**Body
 Post,
 White**

25889
**Body
 Post,
 Gray**

25871
**Body
 Mount,
 White**

25889
**Body
 Mount,
 Gray**

:: Bag 5, 11, 12 - Step 9

25211 Σ
**3x10mm
 BHCS**

25872
**Caster
 Block,
 Gold**

25819 Σ
**Hat
 Bushing**

25873
**Steering
 Block,
 Gold**

25847
**Steel CVA Kit,
 Front
 (bag 11)**

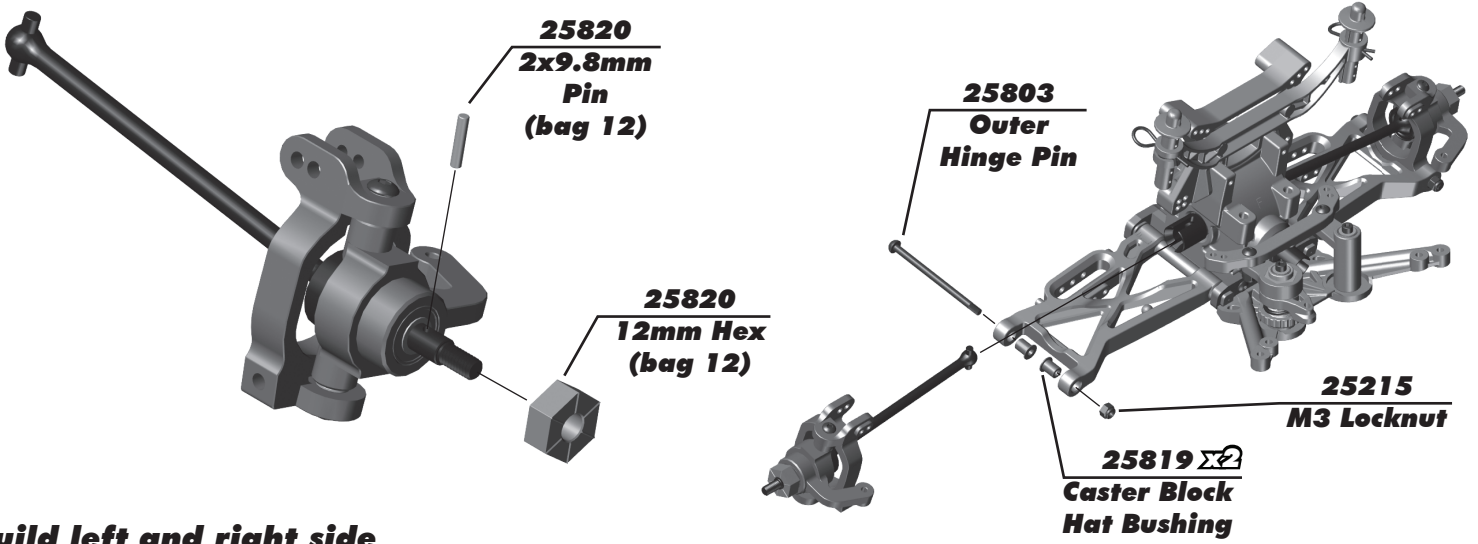
25618
**5x11x4mm
 Bearing**

91563
**10x15x4mm
 Bearing**

92143
**Shim
 5x7x0.20mm
 (bag 12)**

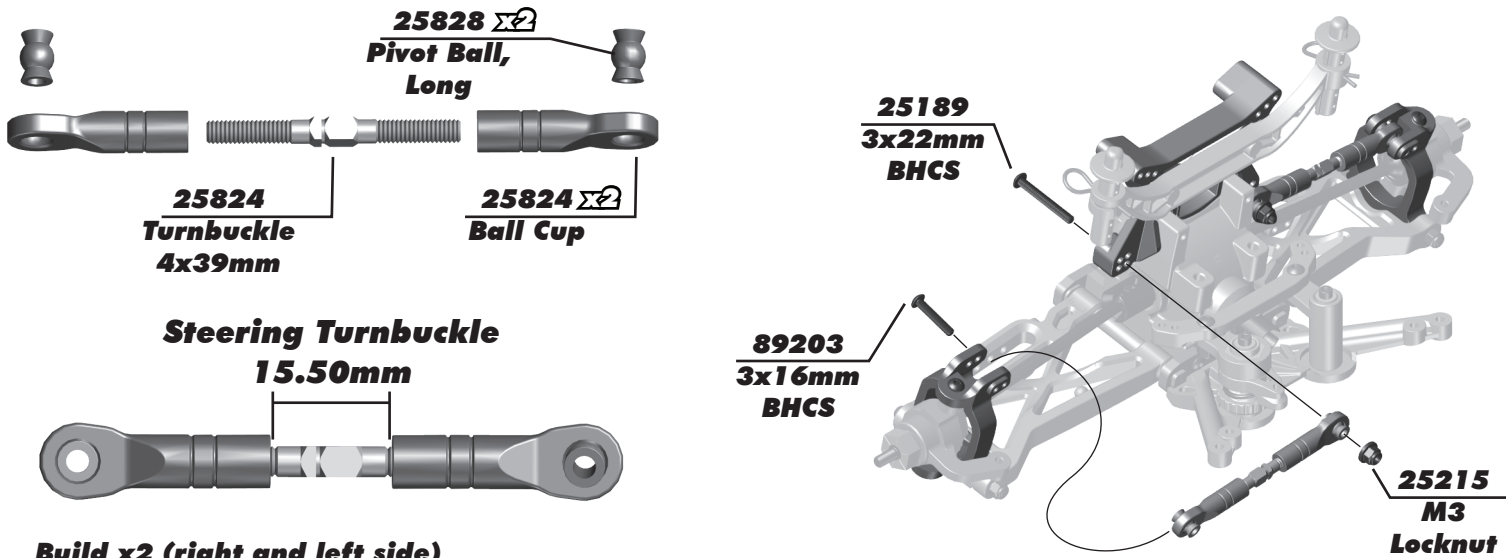
Build left and right side

:: Bag 5, 12 - Step 10



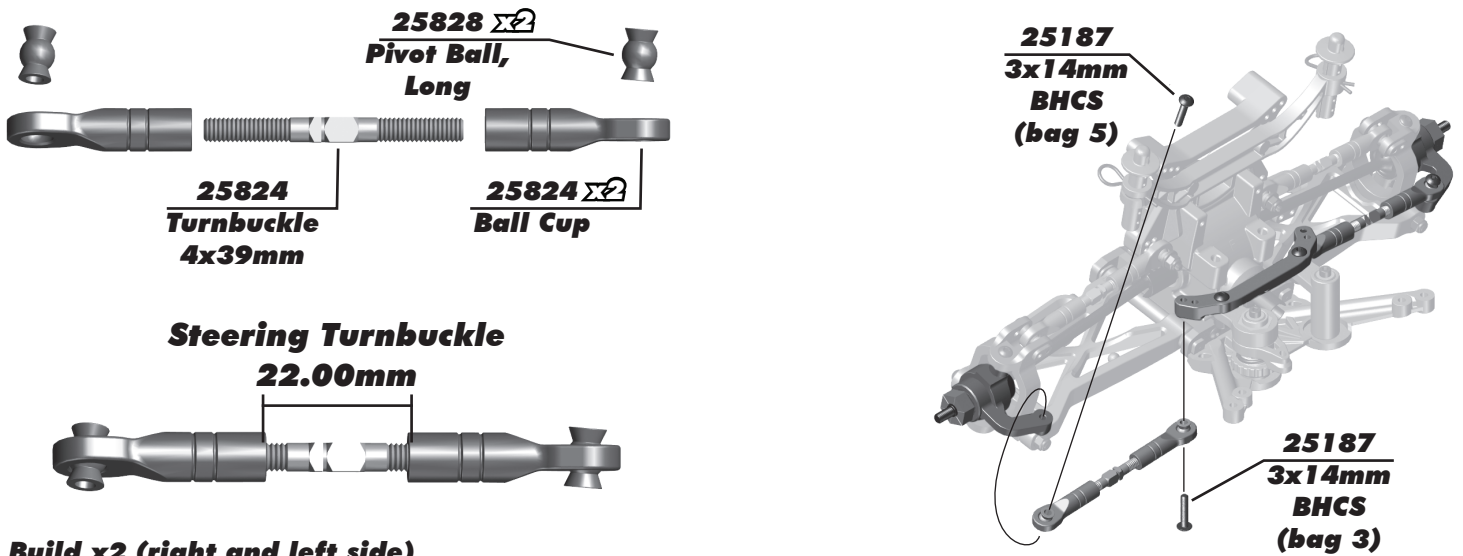
Build left and right side

:: Bag 1, 3 - Step 11



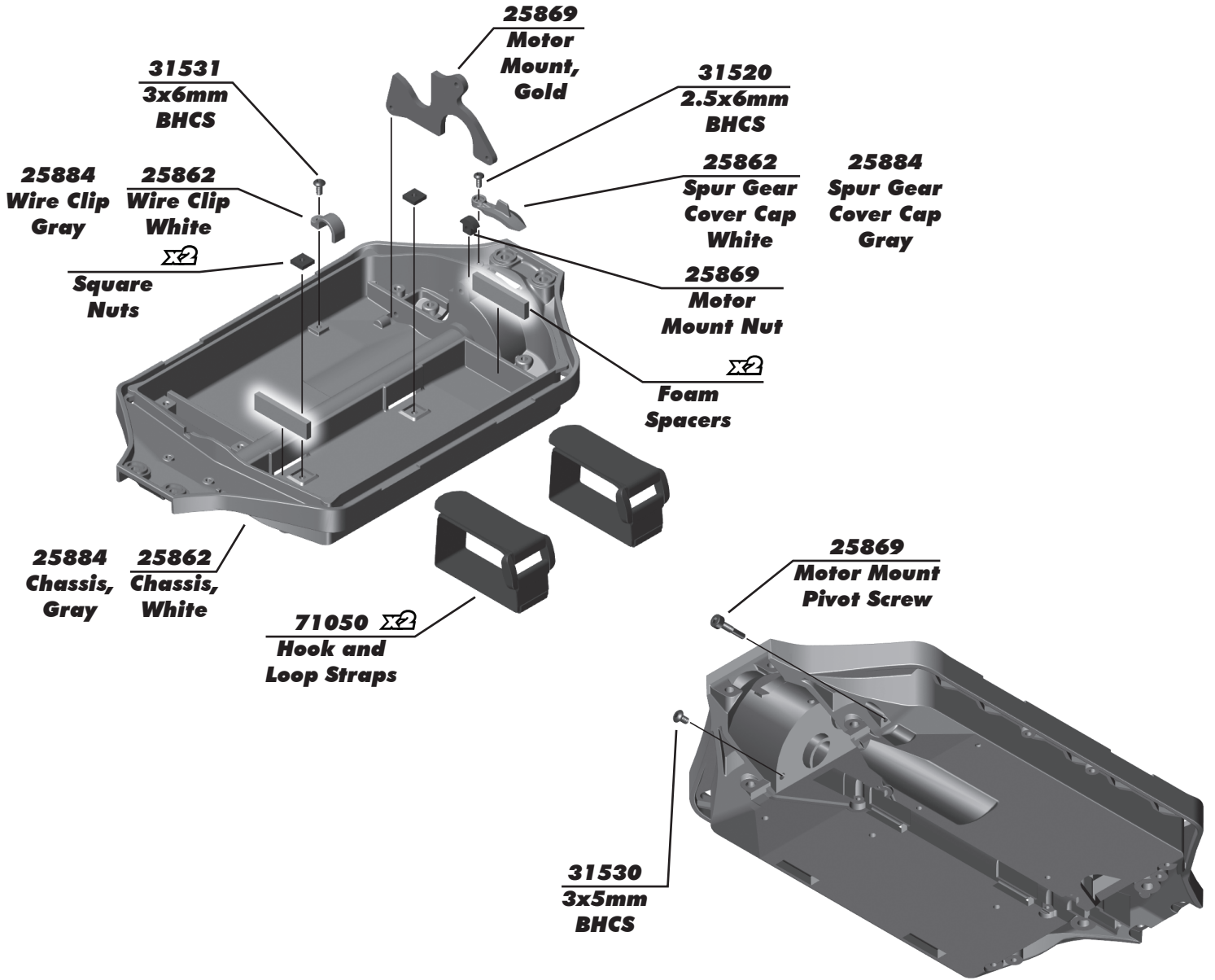
Build x2 (right and left side)

:: Bag 3, 5 - Step 12

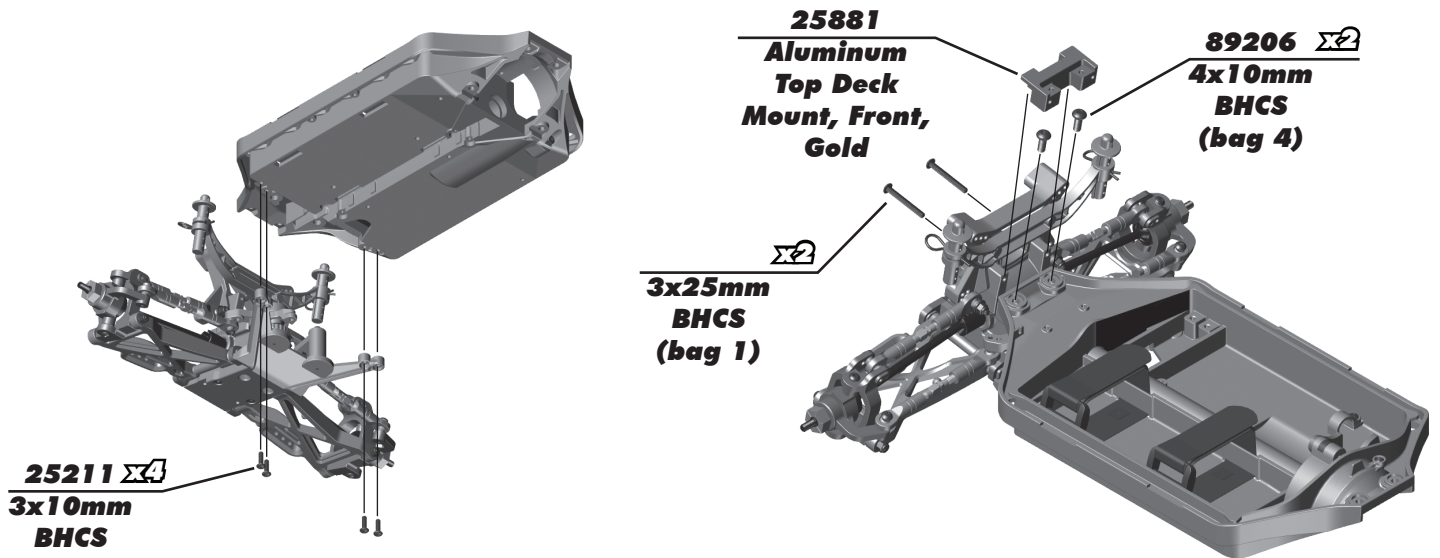


Build x2 (right and left side)

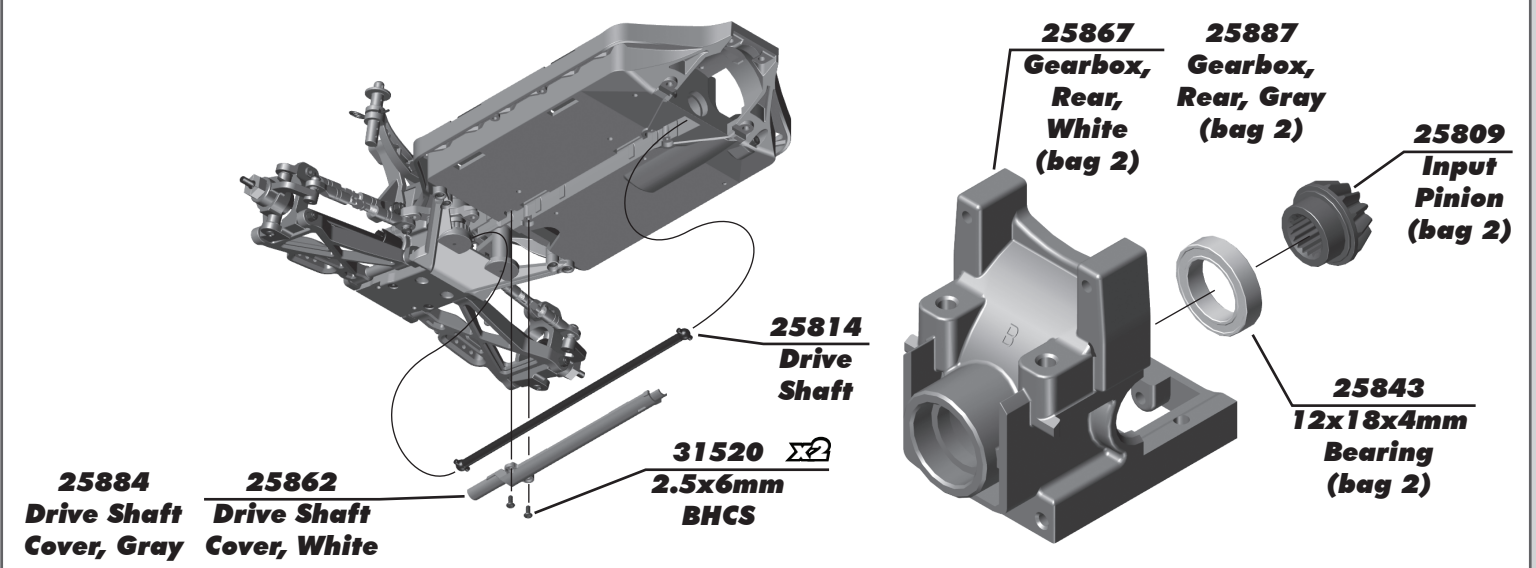
:: Bag 4 - Step 13



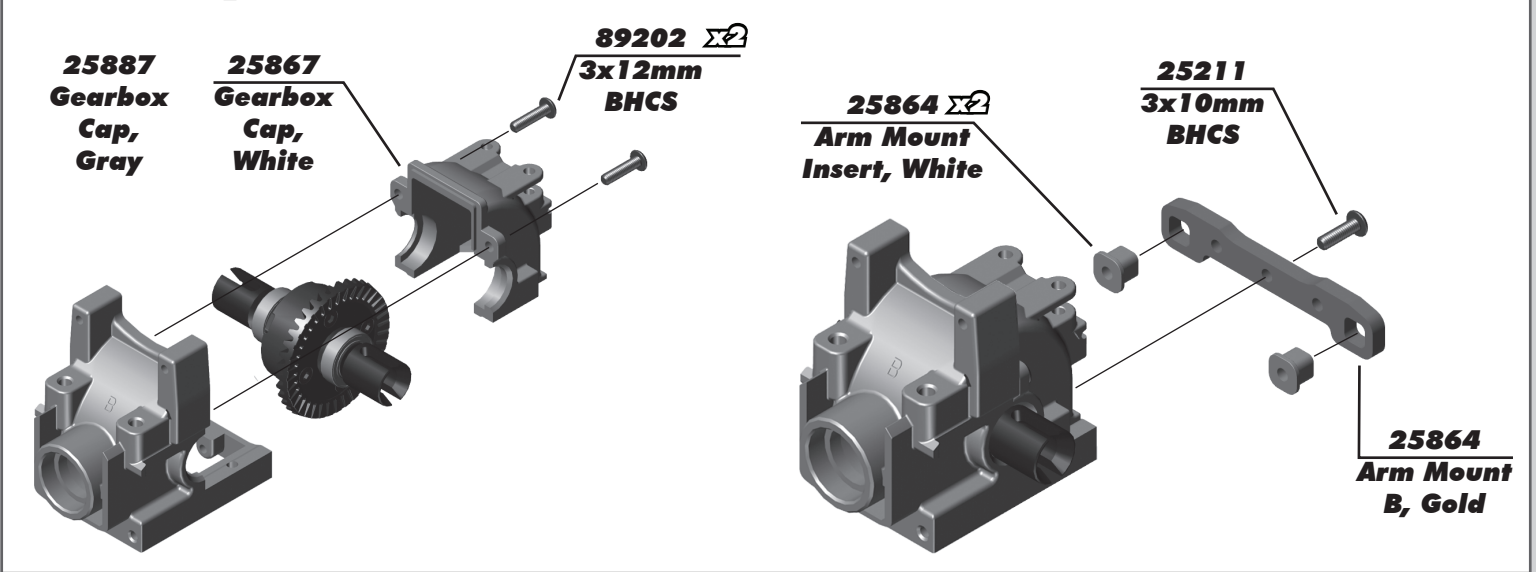
:: Bag 1, 4, 5 - Step 14



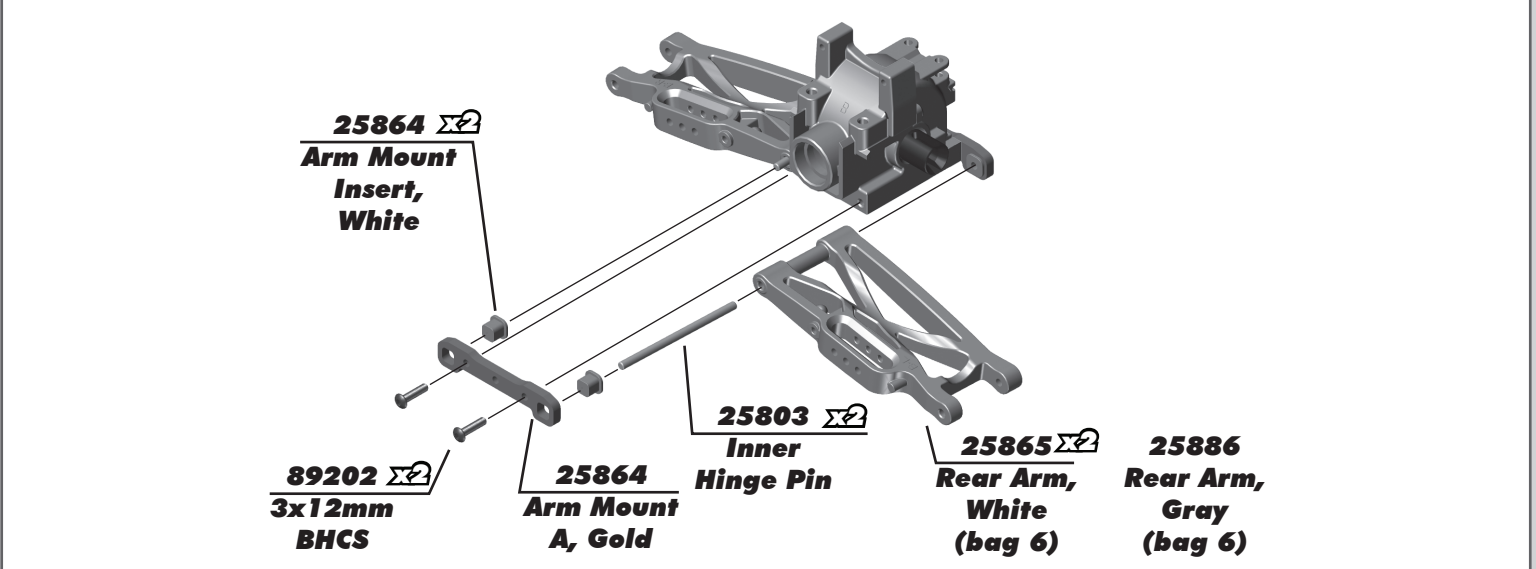
:: Bag 2, 4 - Step 15



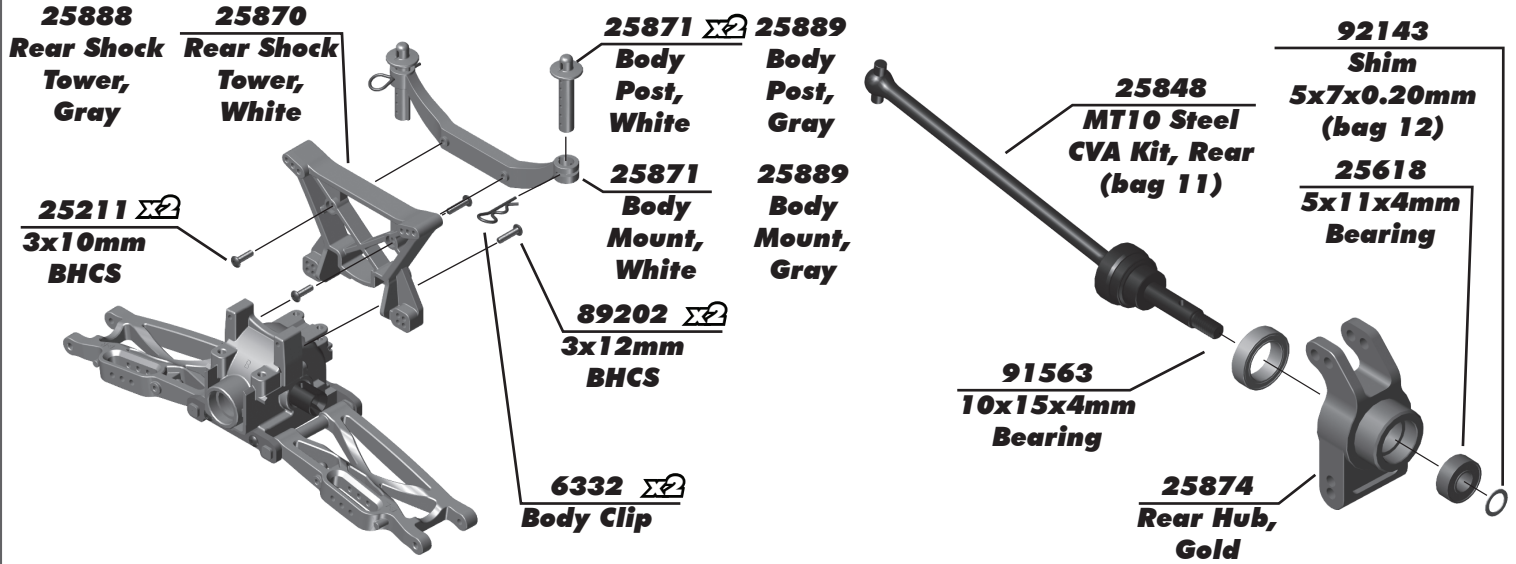
:: Bag 2 - Step 16



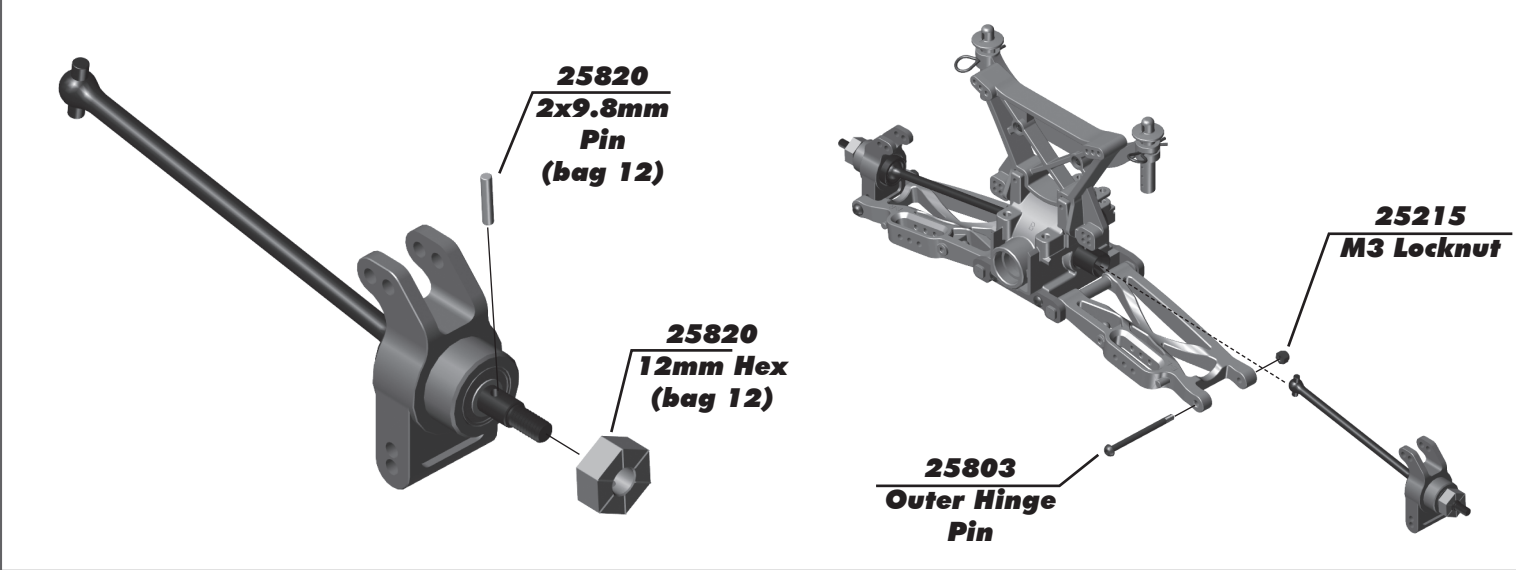
:: Bag 2, 6 - Step 17



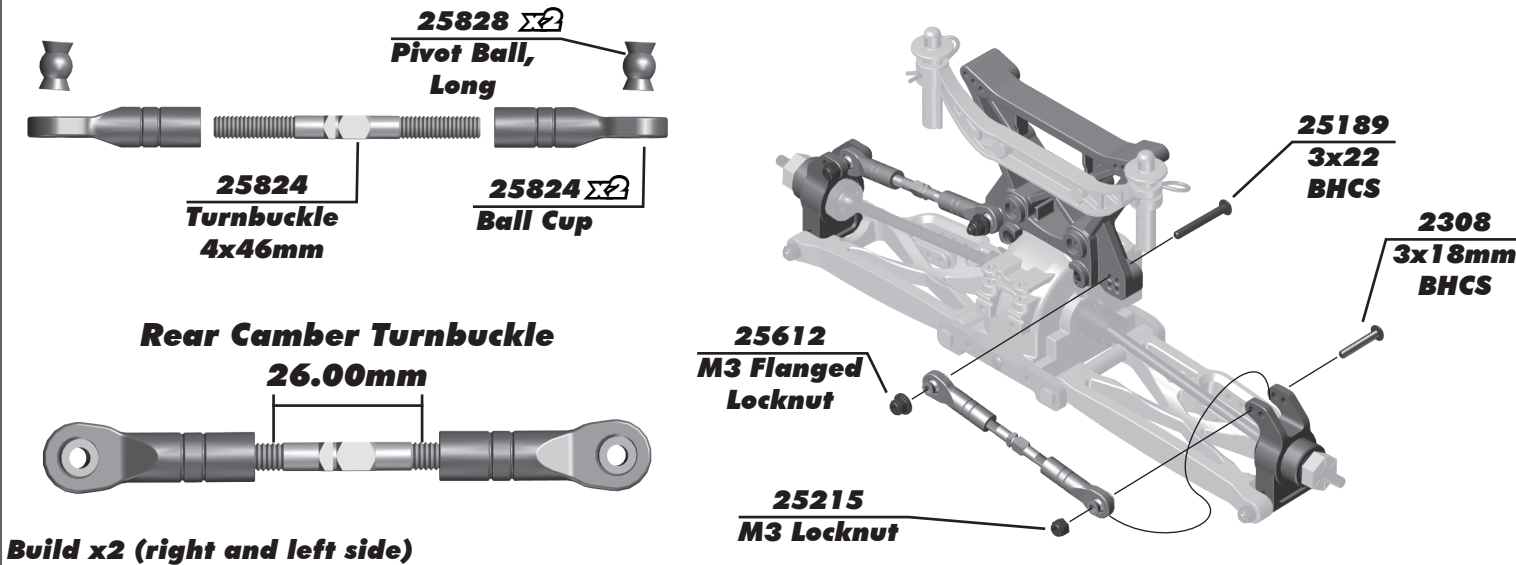
:: Bag 6, 11, 12 - Step 18



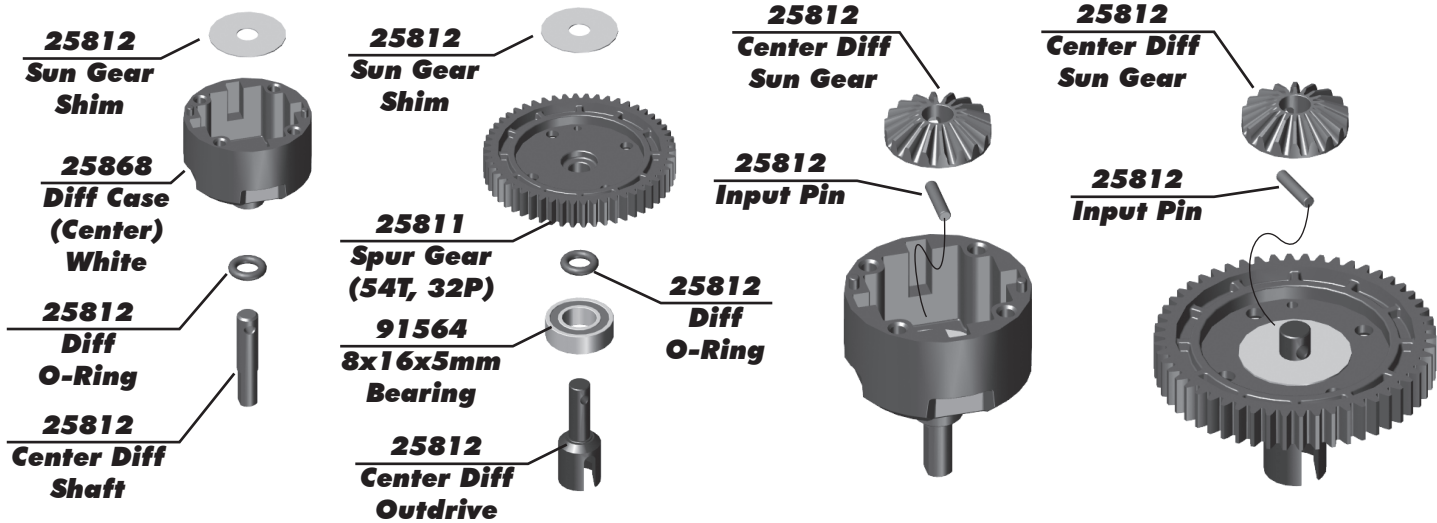
:: Bag 6, 12 - Step 19



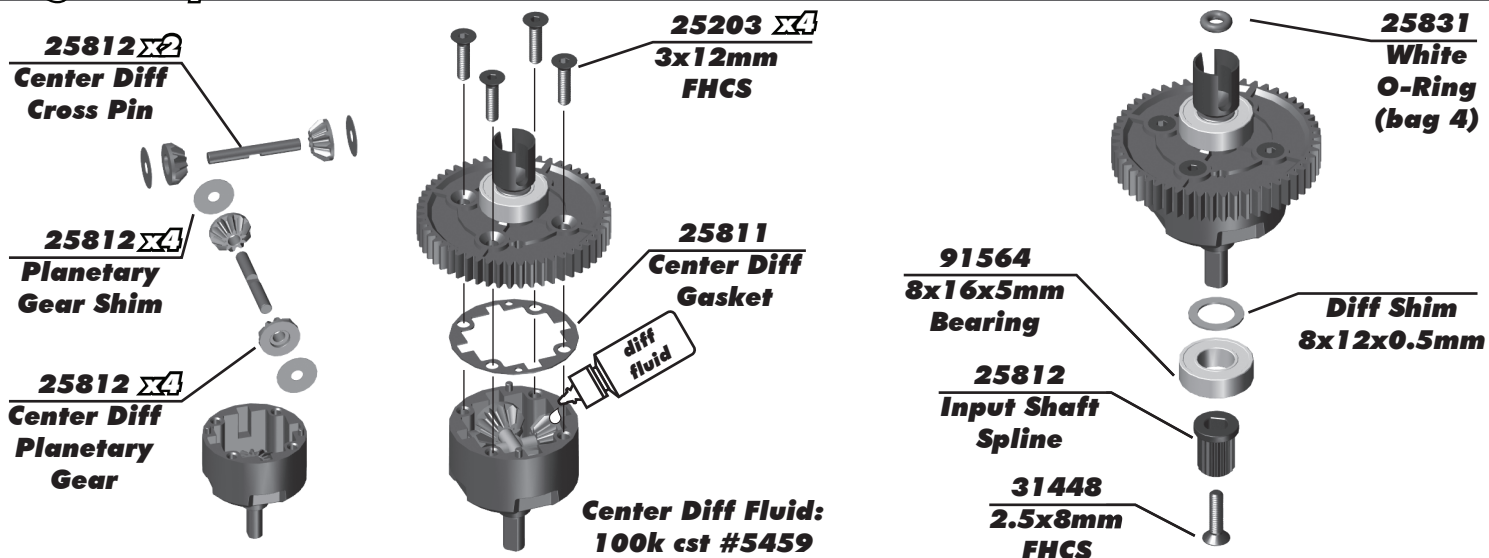
:: Bag 6 - Step 20



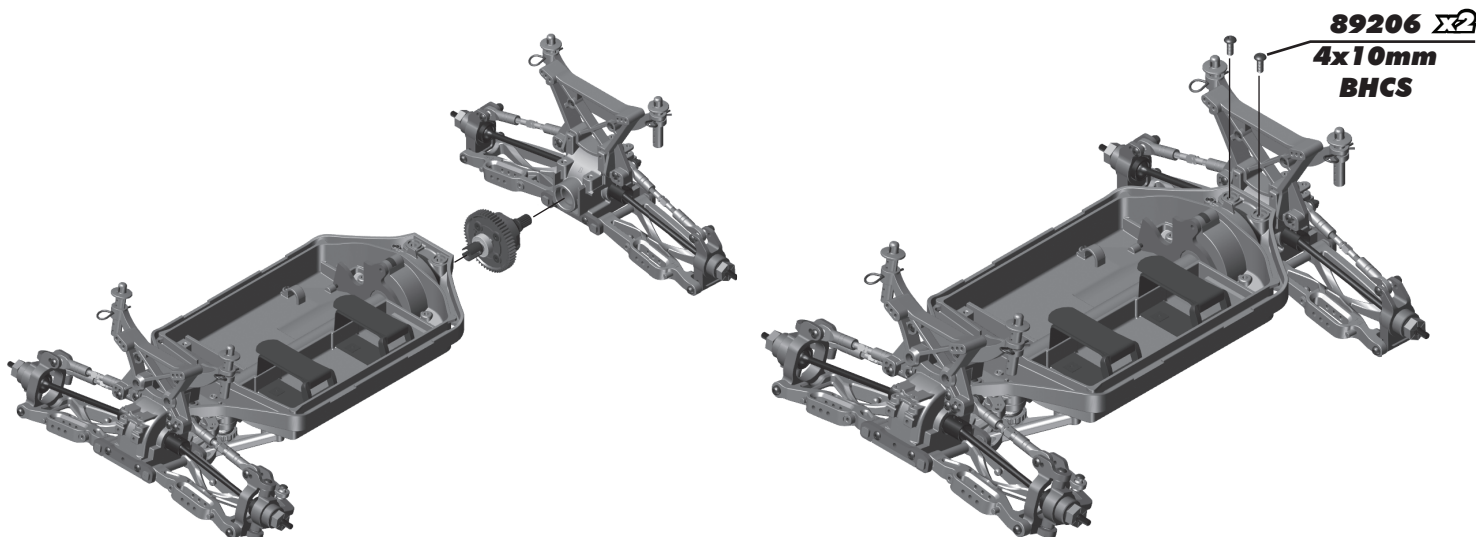
:: Bag 8 - Step 21



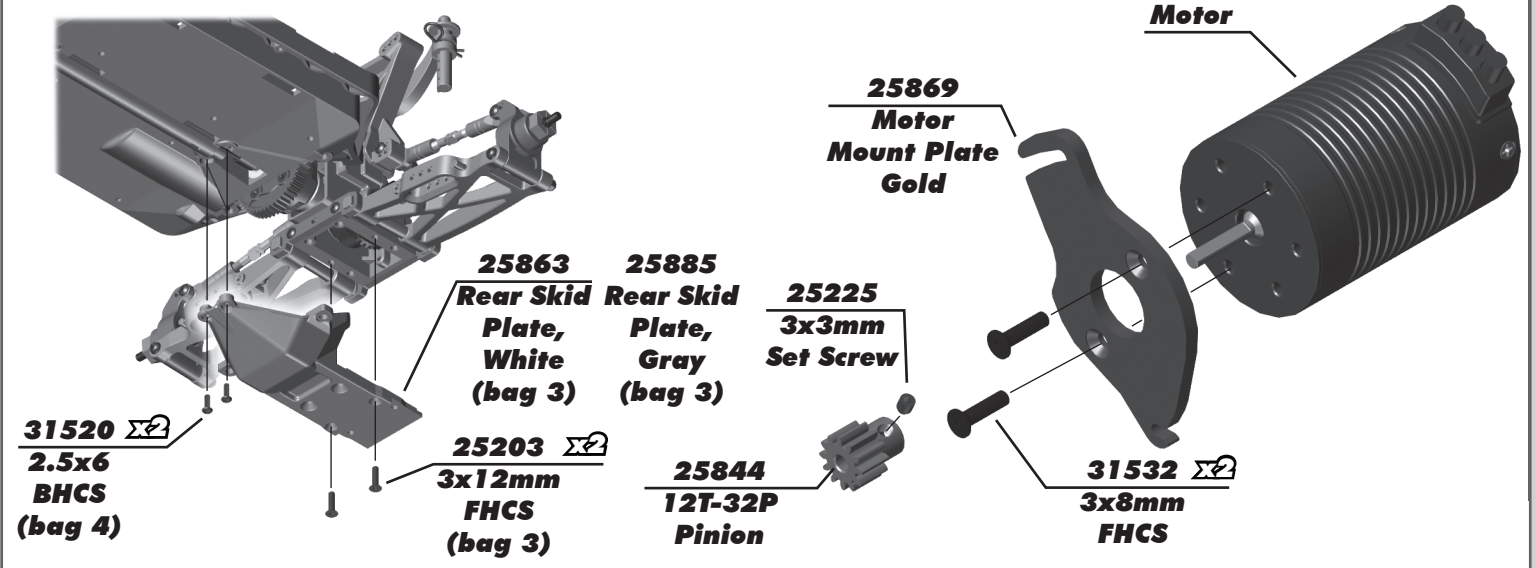
:: Bag 8 - Step 22



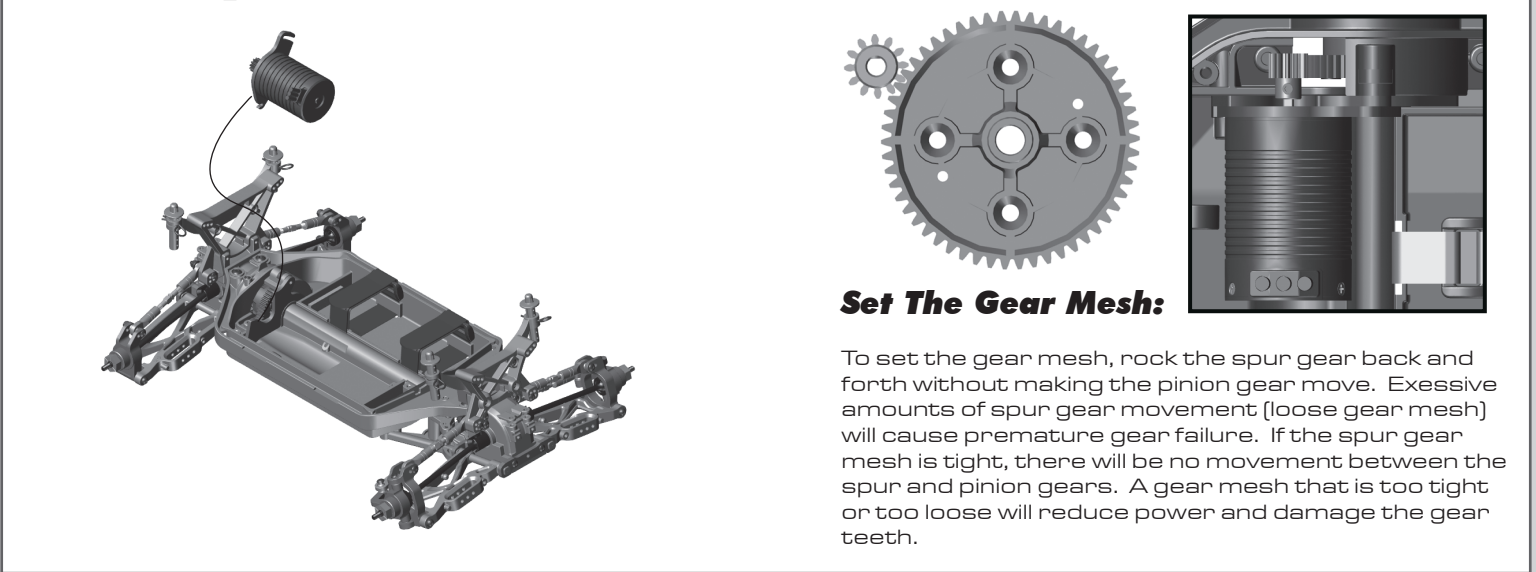
:: Bag 4 - Step 23



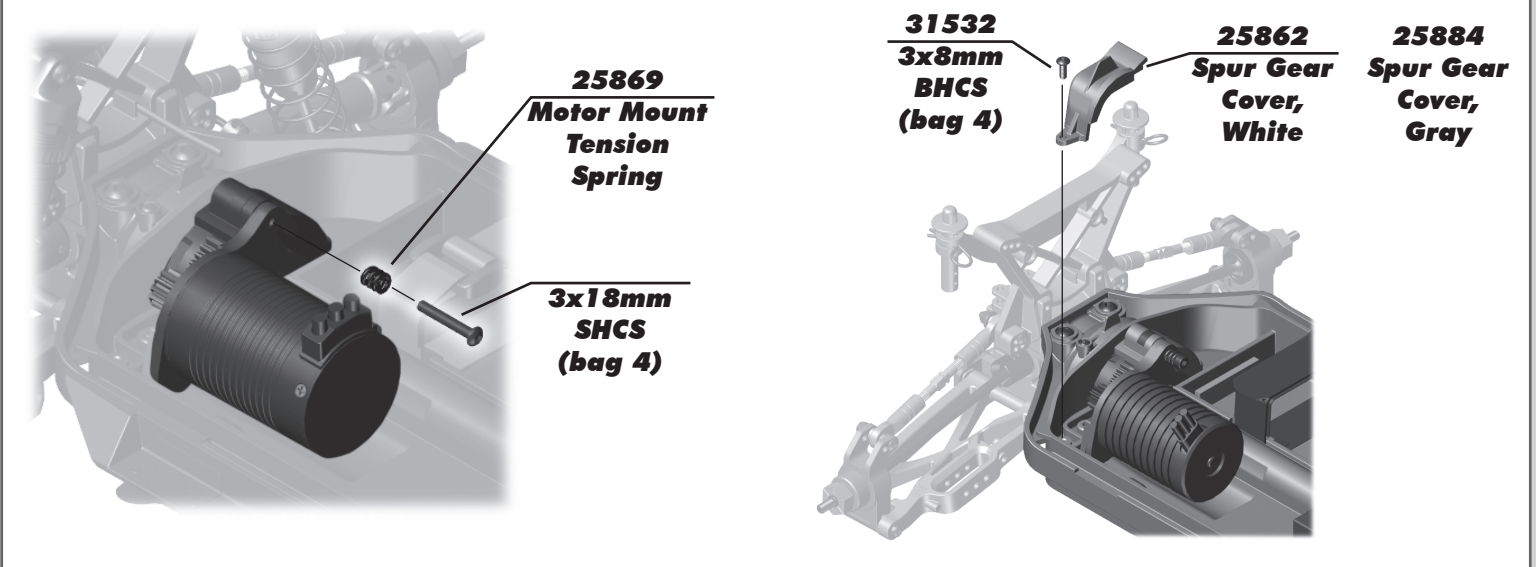
:: Bag 3, 4 - Step 24



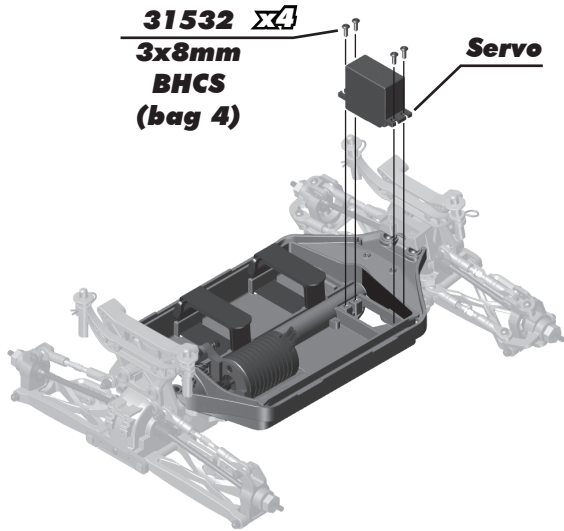
:: Bag 4 - Step 25



:: Bag 4 - Step 26

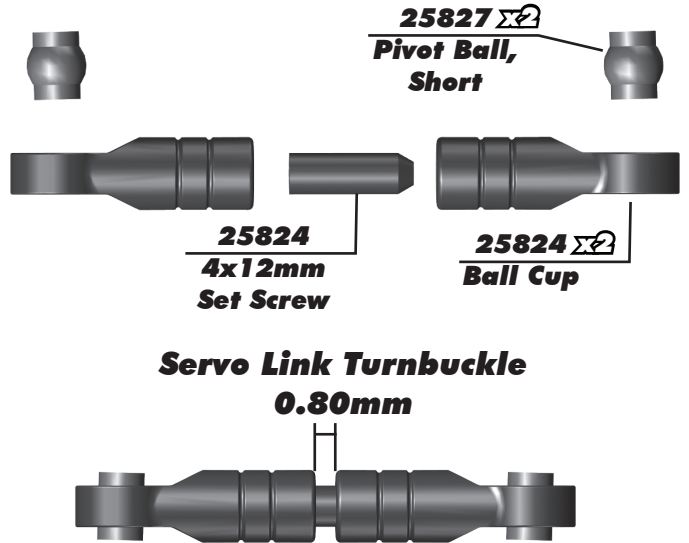


:: Bag 3, 4 - Step 27



31532 $\Sigma 4$
3x8mm
BHCS
(bag 4)

Servo



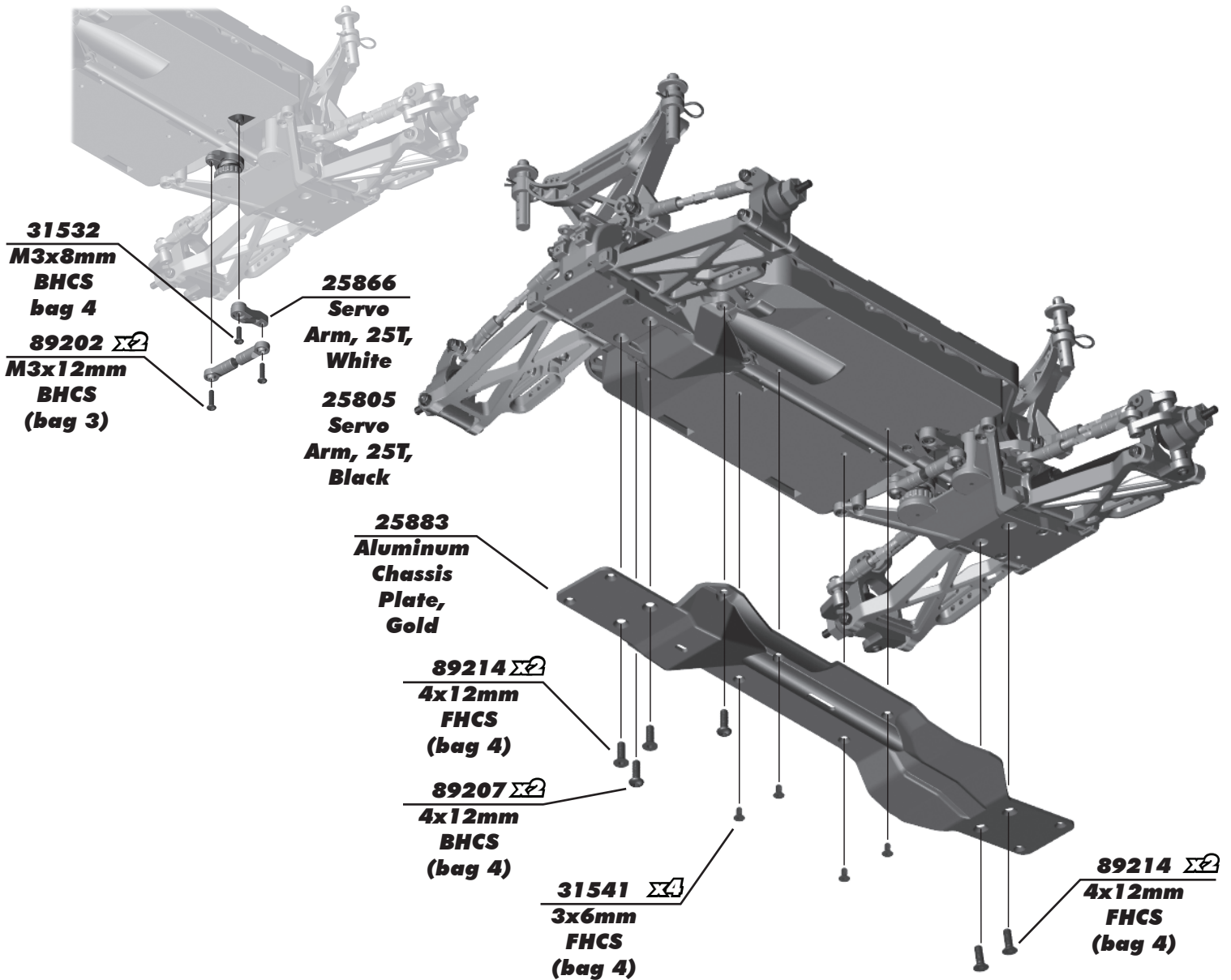
25827 $\Sigma 2$
Pivot Ball,
Short

25824
4x12mm
Set Screw

25824 $\Sigma 2$
Ball Cup

Servo Link Turnbuckle
0.80mm

:: Bag 3, 4 - Step 28



31532
M3x8mm
BHCS
bag 4
89202 $\Sigma 2$
M3x12mm
BHCS
(bag 3)

25866
Servo
Arm, 25T,
White
25805
Servo
Arm, 25T,
Black

25883
Aluminum
Chassis
Plate,
Gold

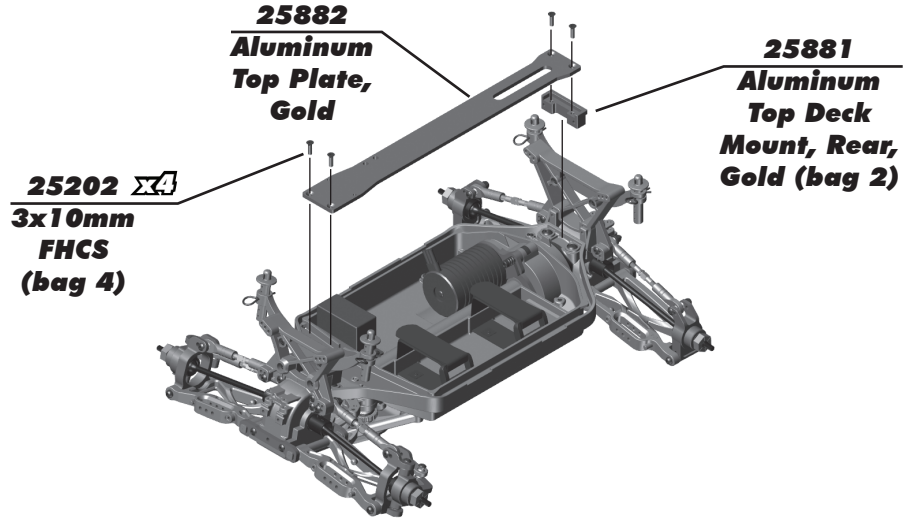
89214 $\Sigma 2$
4x12mm
FHCS
(bag 4)

89207 $\Sigma 2$
4x12mm
BHCS
(bag 4)

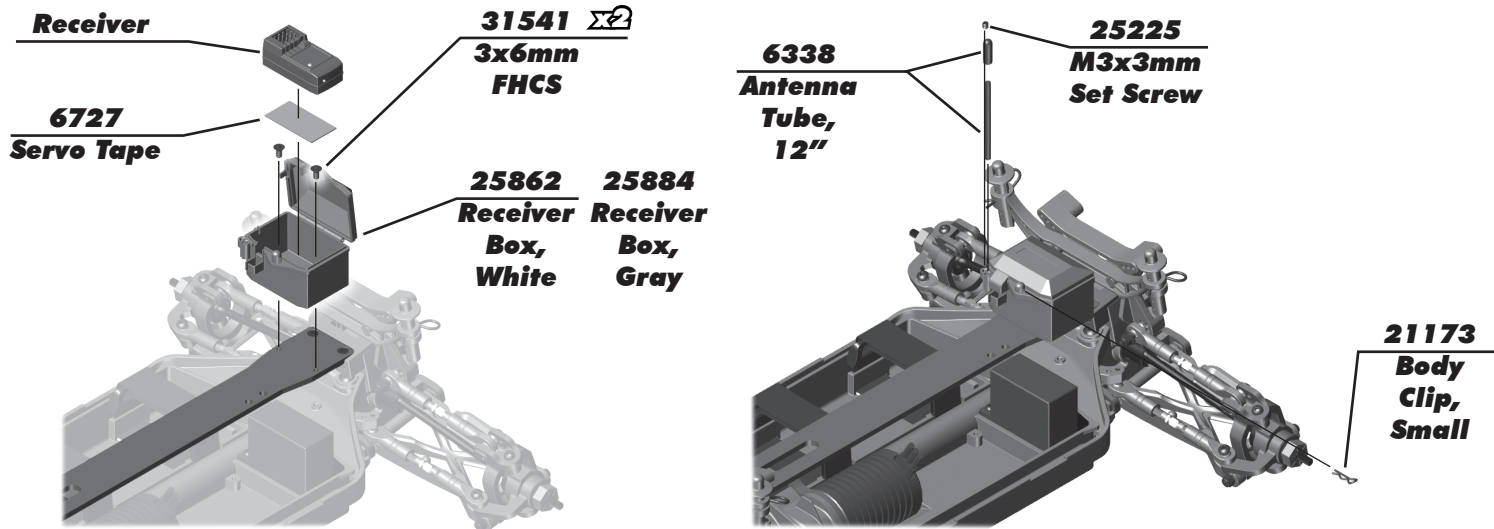
31541 $\Sigma 4$
3x6mm
FHCS
(bag 4)

89214 $\Sigma 2$
4x12mm
FHCS
(bag 4)

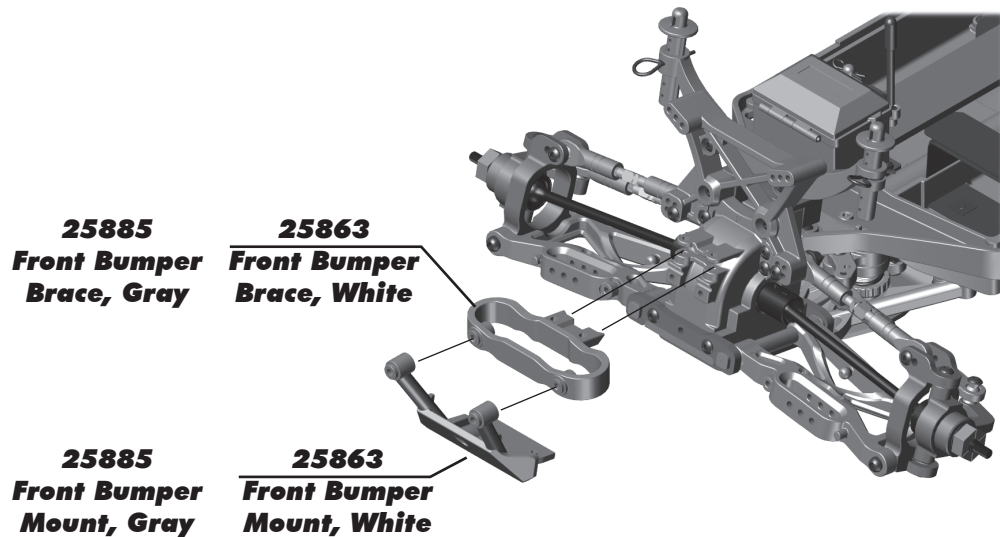
:: Bag 2, 4 - Step 29



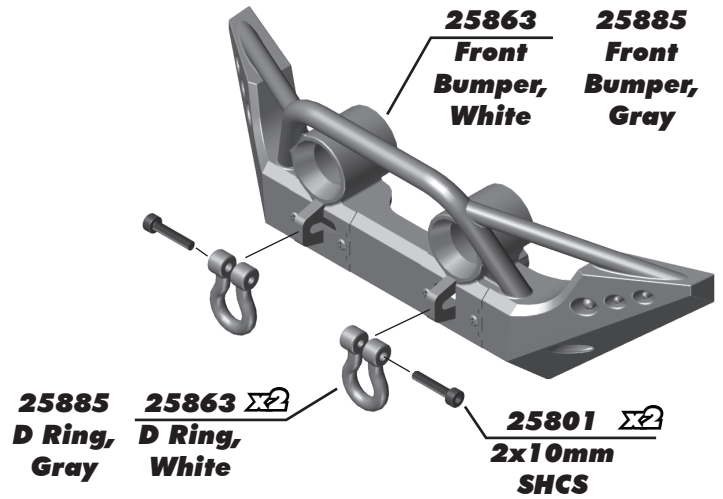
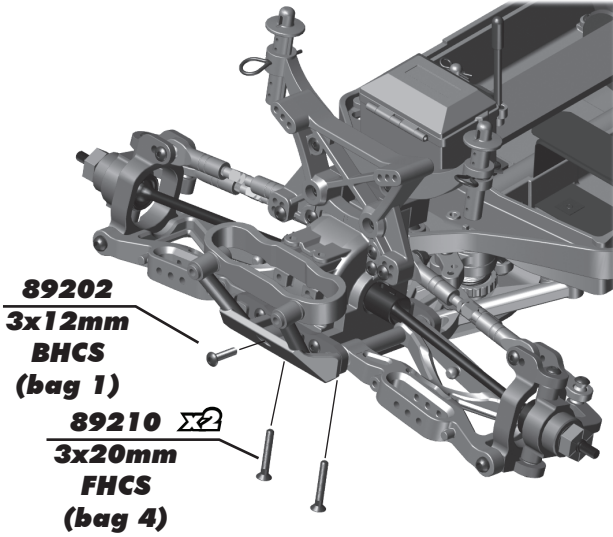
:: Bag 4 - Step 30



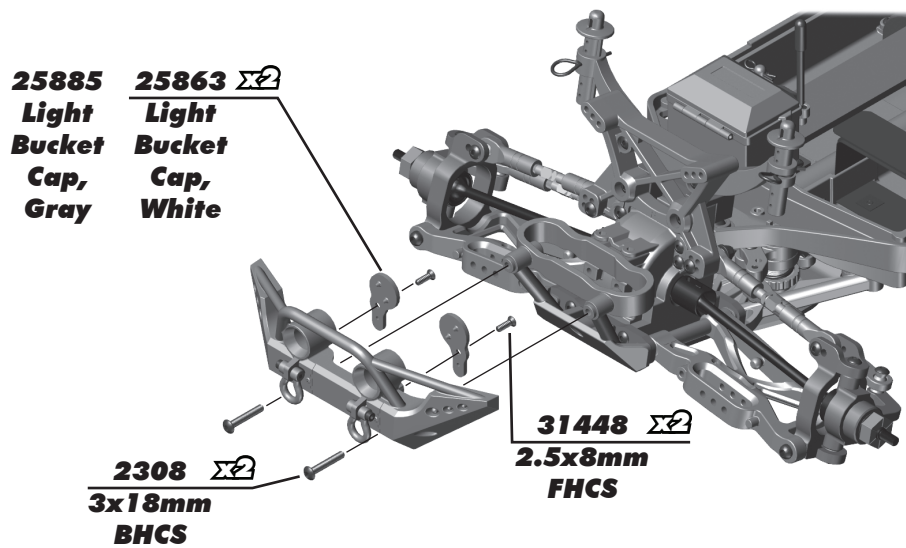
:: Bag 9 - Step 31



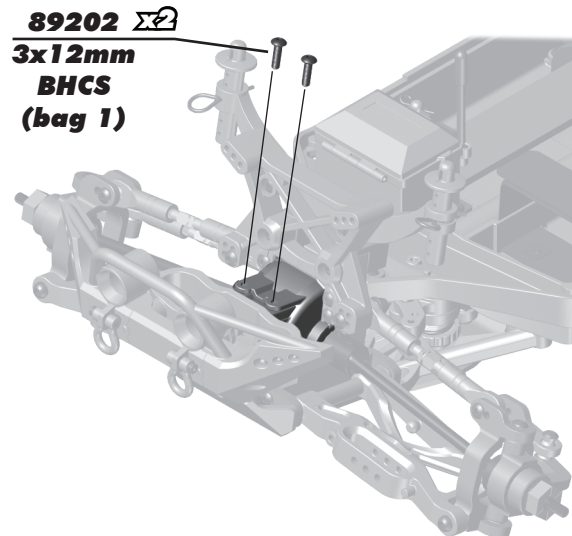
:: Bag 1, 4, 9 - Step 32



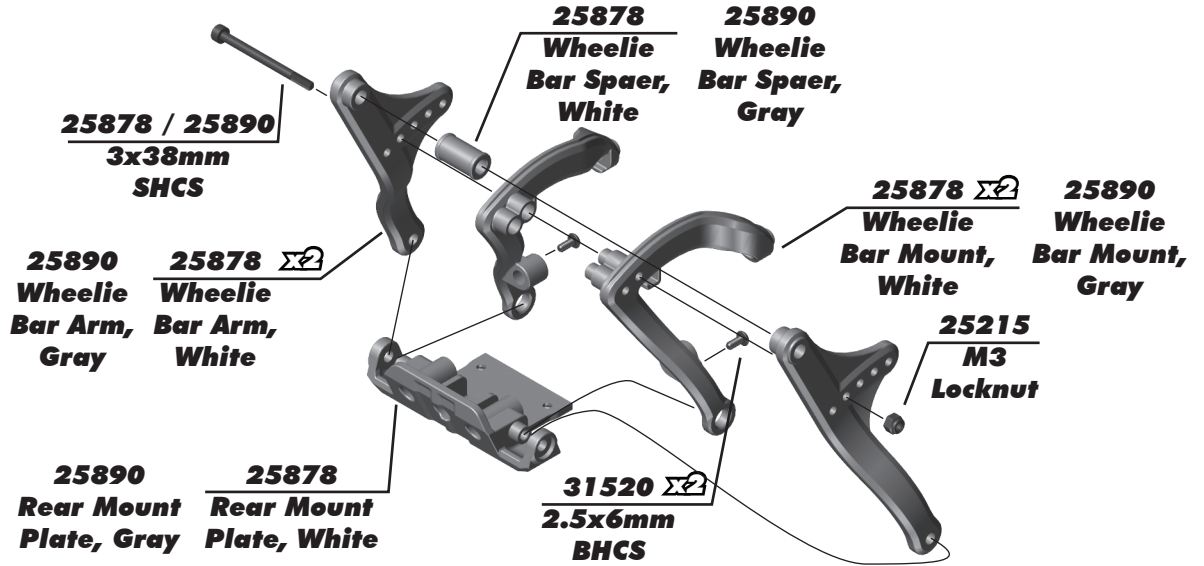
:: Bag 9 - Step 33



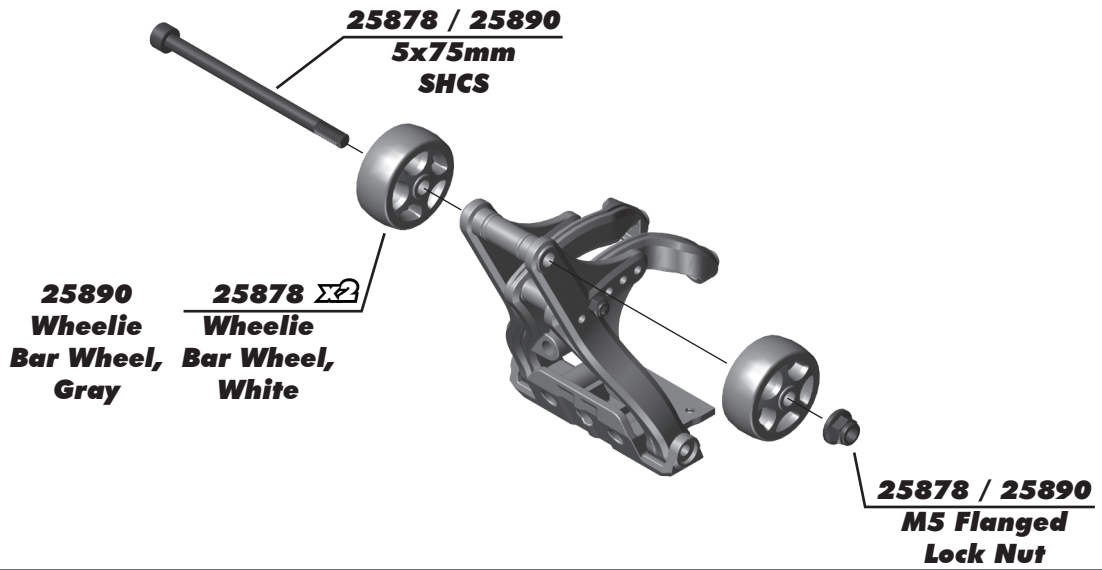
:: Bag 1, 9 - Step 34



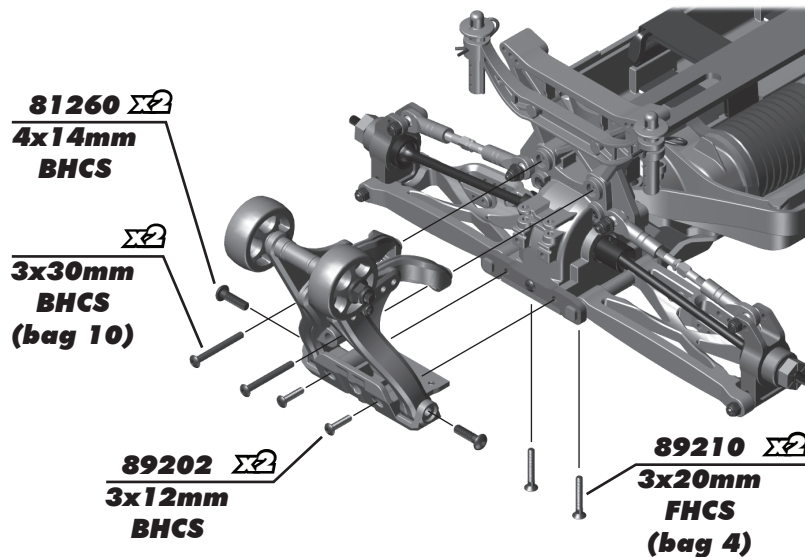
:: Bag 10 - Step 35



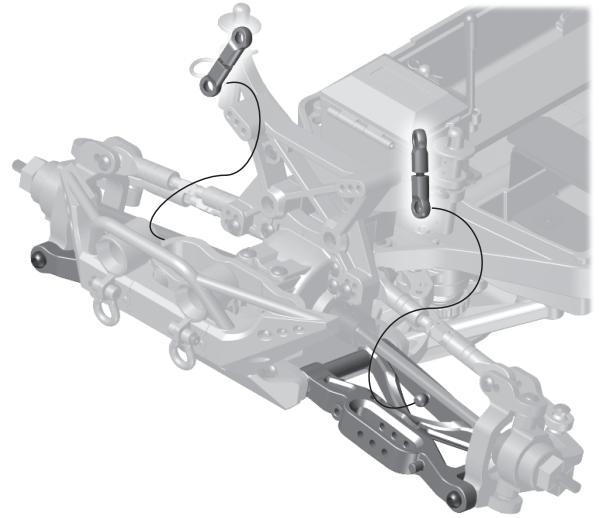
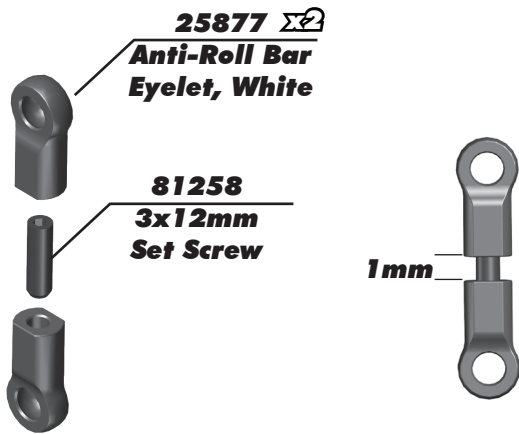
:: Bag 10 - Step 36



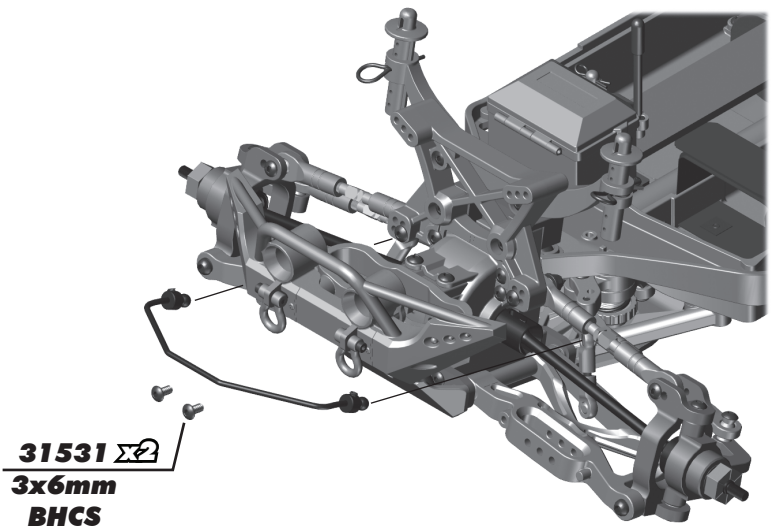
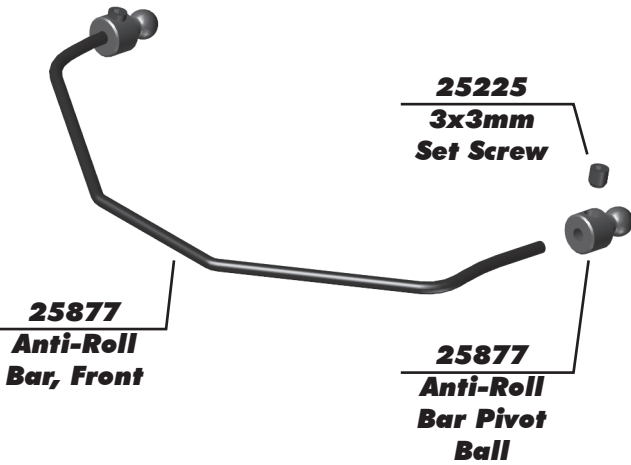
:: Bag 10 - Step 37



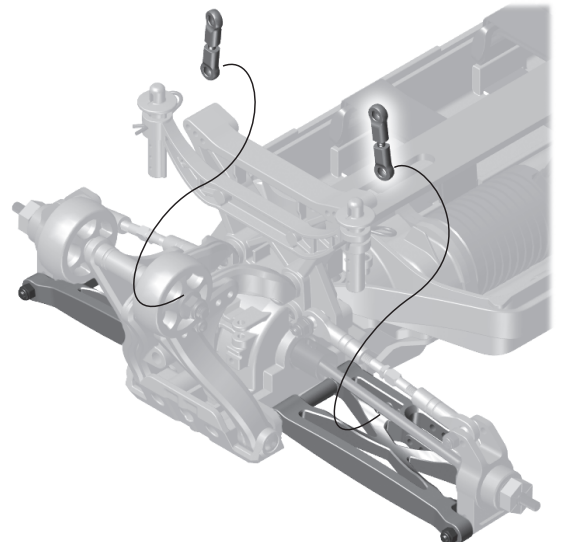
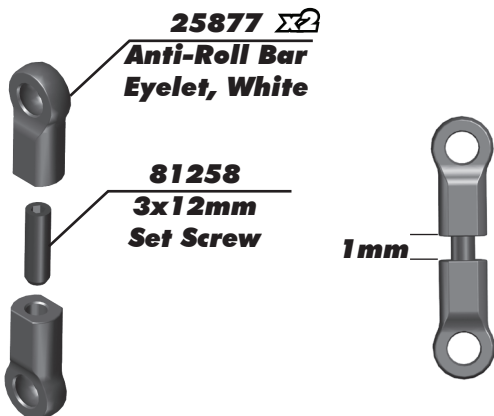
:: Bag 13 - Step 38



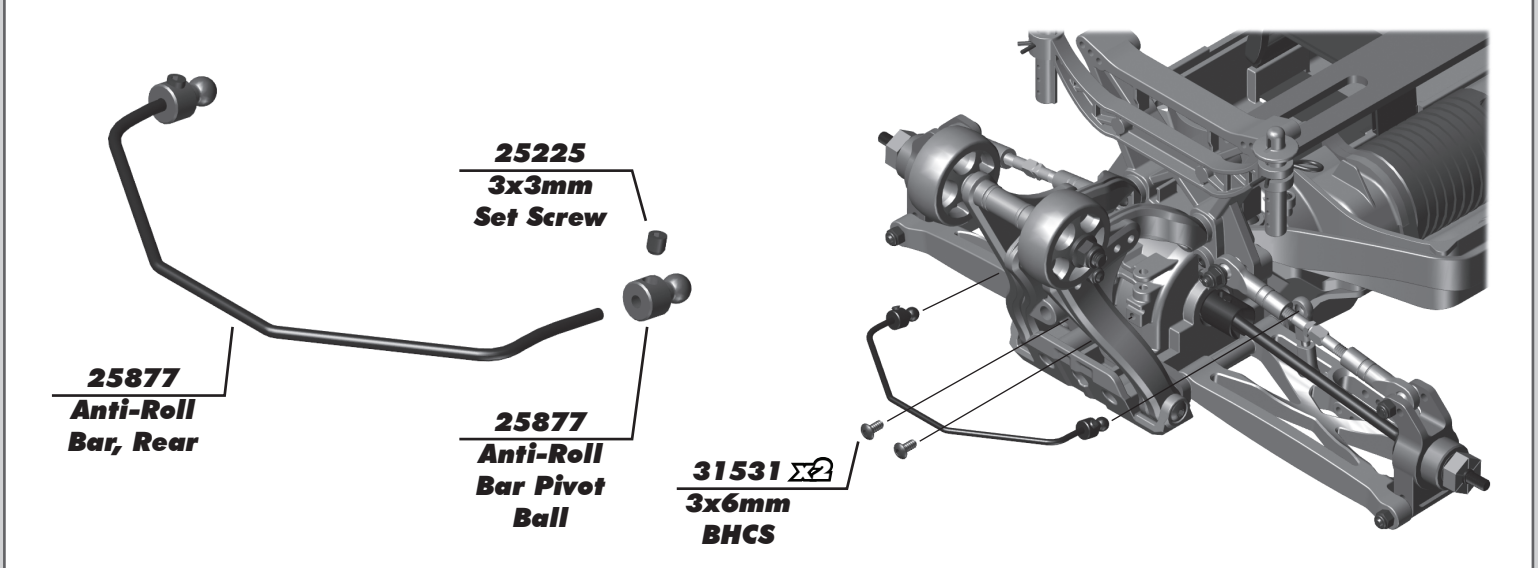
:: Bag 13 - Step 39



:: Bag 13 - Step 40

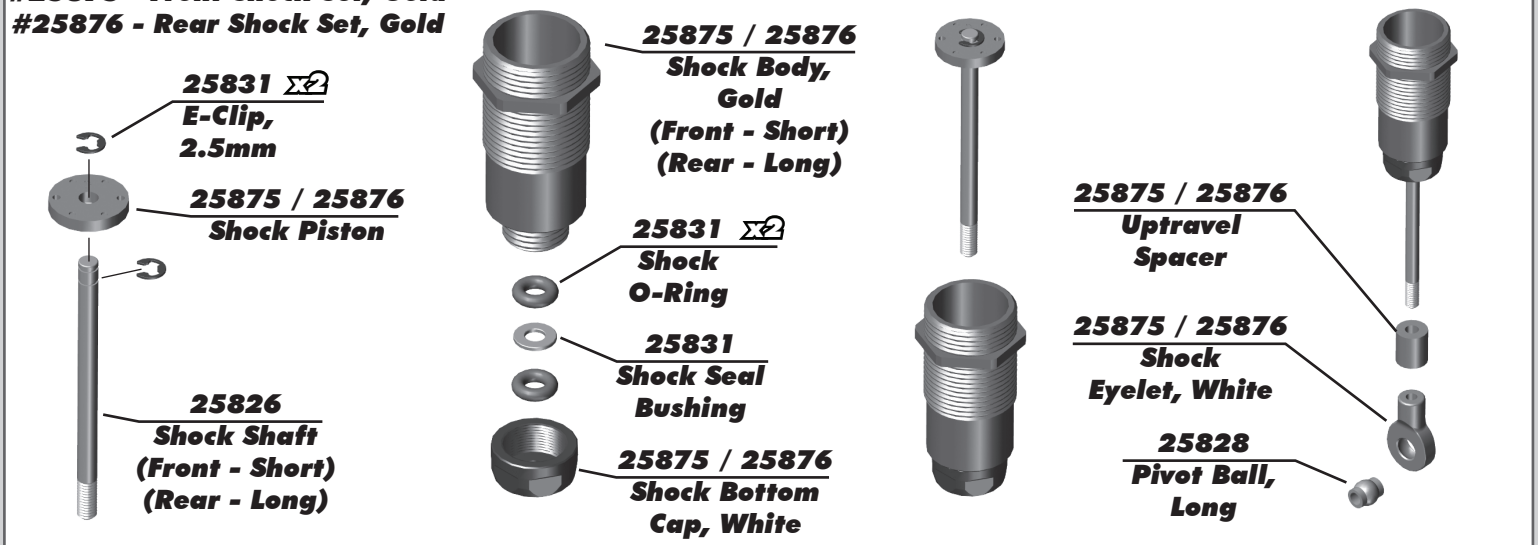


:: Bag 13 - Step 41

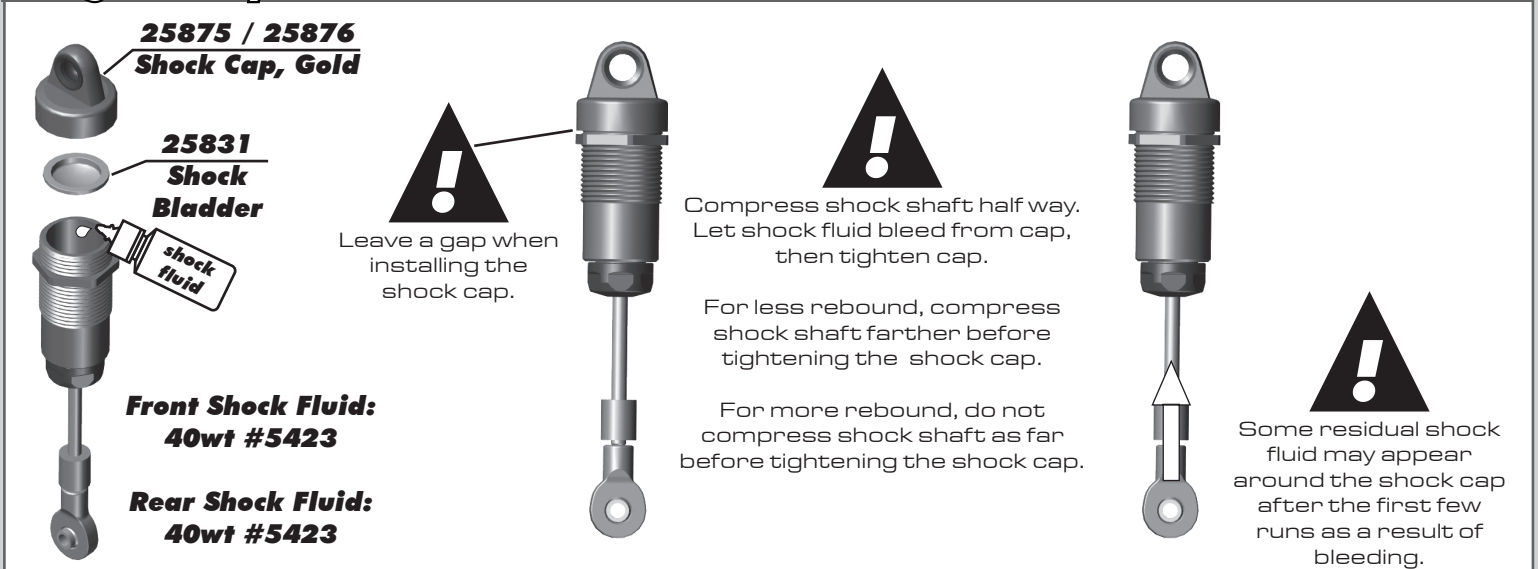


:: Bag 14 - Step 42

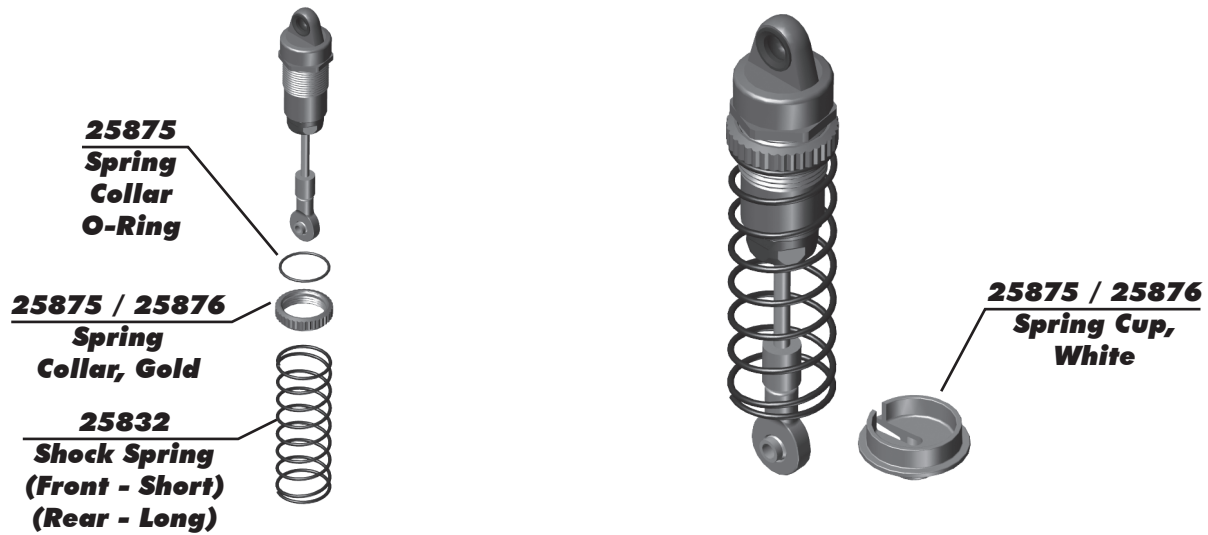
#25875 - Front Shock Set, Gold
#25876 - Rear Shock Set, Gold



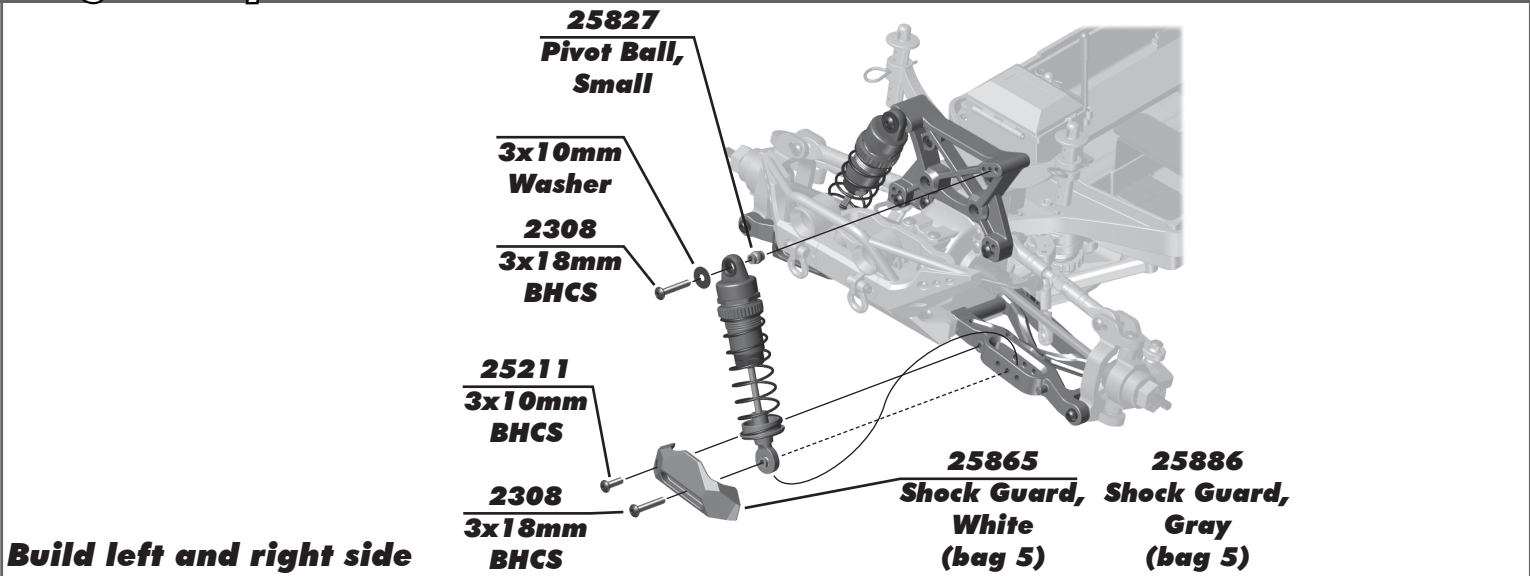
:: Bag 14 - Step 43



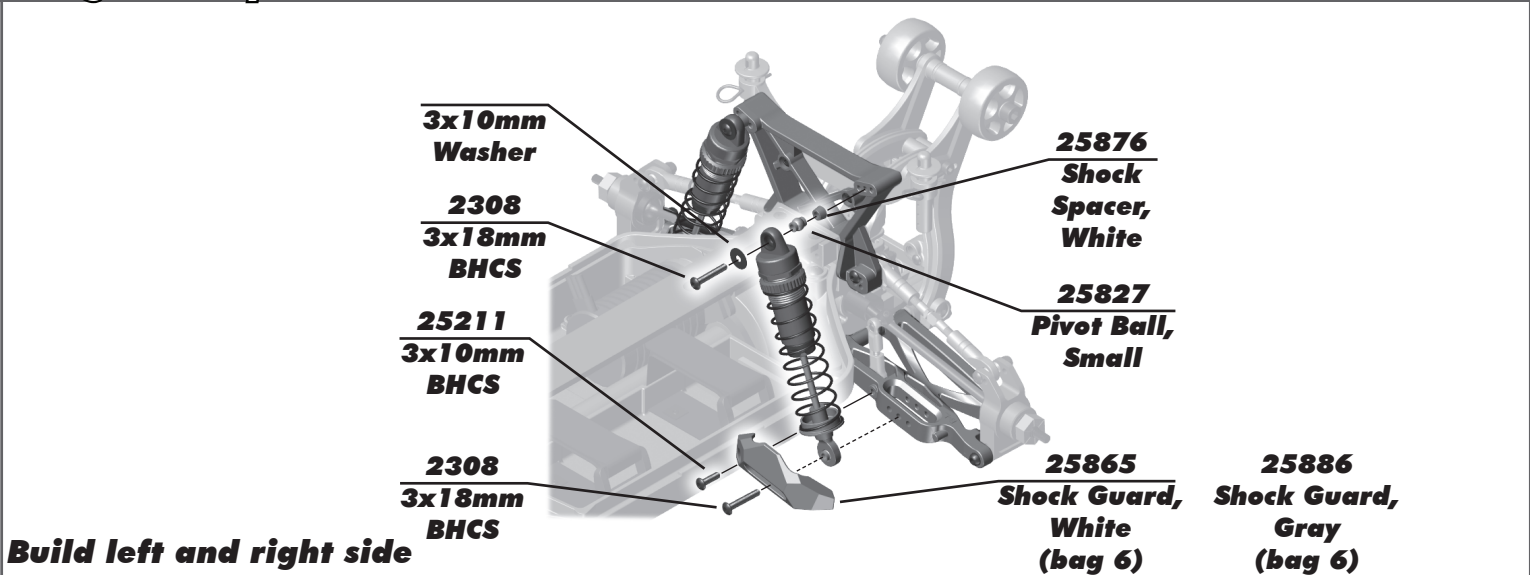
:: Bag 14 - Step 44



:: Bag 14 - Step 45



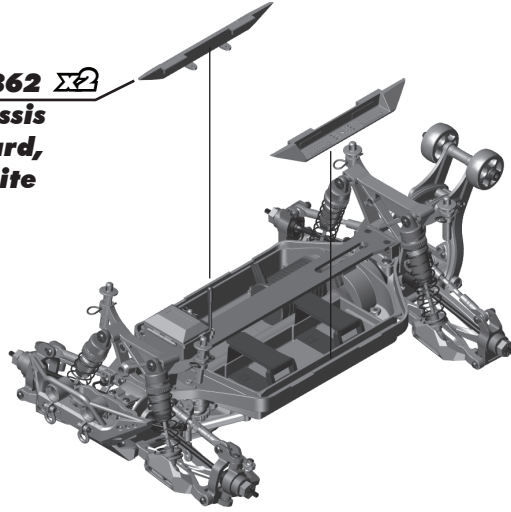
:: Bag 14 - Step 46



:: Bag 16 - Step 47

25884
Chassis
Guard,
Gray

25862 **X2**
Chassis
Guard,
White

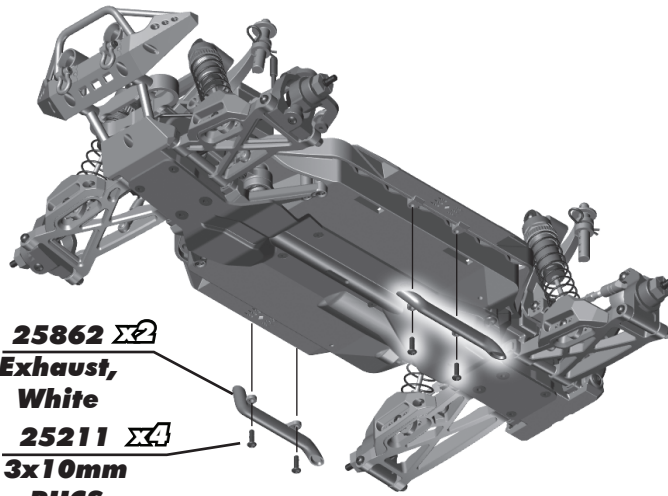


:: Bag 16 - Step 48

25884
Exhaust,
Gray

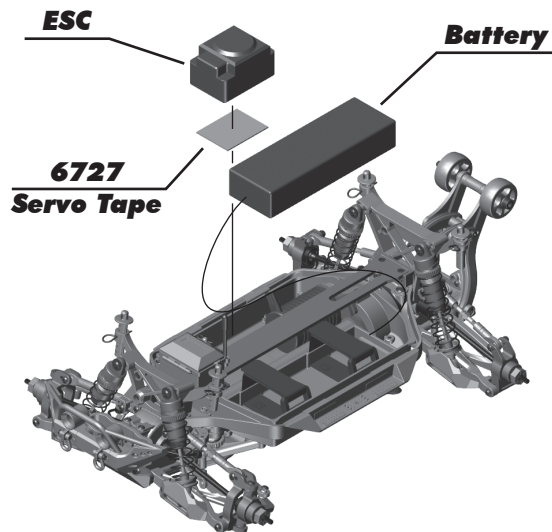
25862 **X2**
Exhaust,
White

25211 **X4**
3x10mm
BHCS



Build left and right side

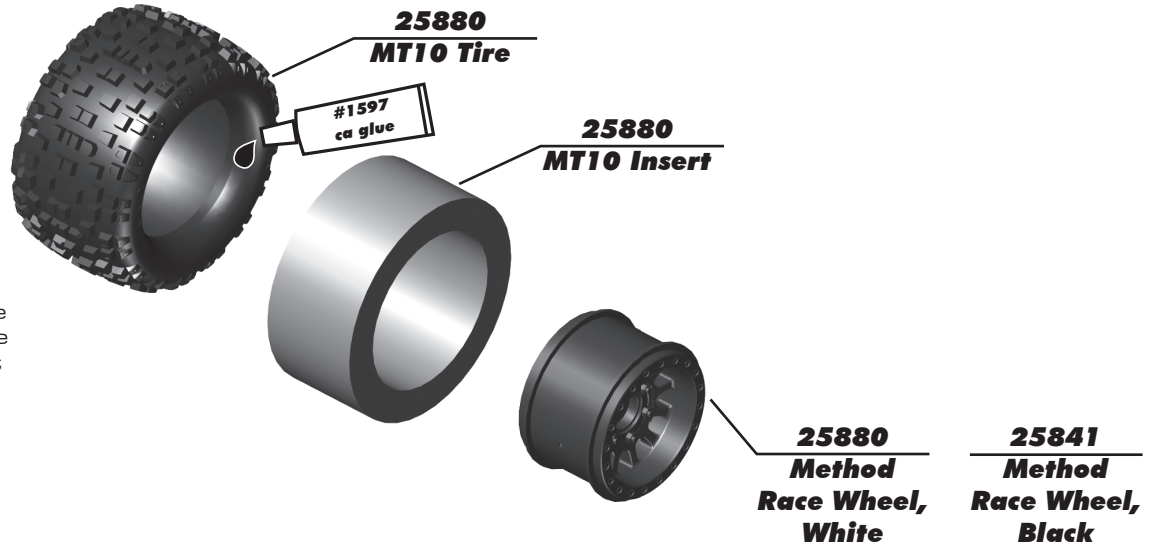
:: Bag 16 - Step 49



:: Bag 15 - Step 50



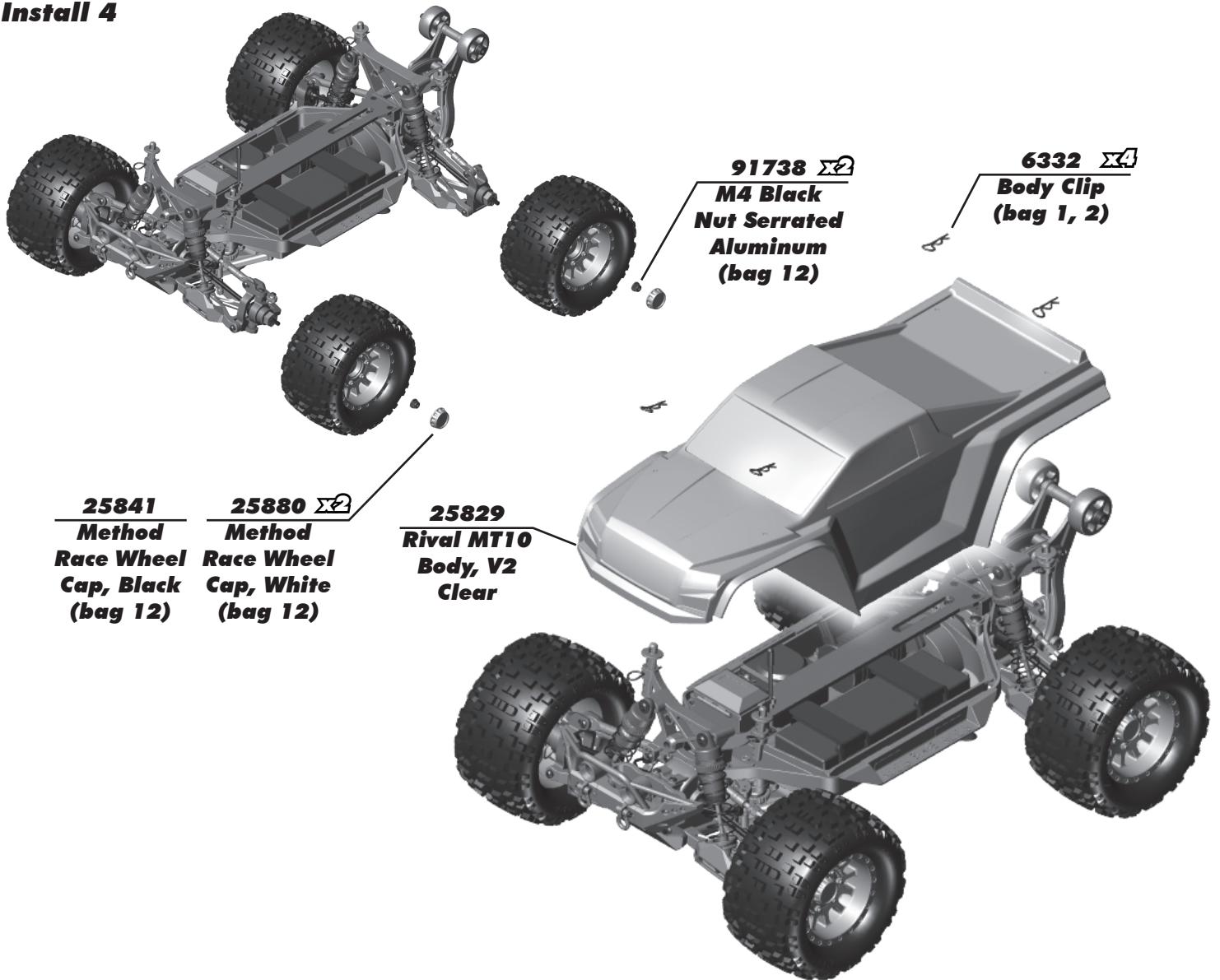
Carefully apply ca glue (tire adhesive) to the tire bead on the side. Do one side at a time, allowing it to dry before gluing the other side!
CA glue not included!



Build 4

:: Bag 1, 2, 12 - Step 51

Install 4





Associated Electrics, Inc.
21062 Bake Parkway Lake Forest, CA 92630 USA

call: (949) 544-7500 - fax: (949) 544-7501
Check out the following web sites for all of our kits, current products,
new releases, setup help, tips, and racing info!
www.AssociatedElectrics.com

FOLLOW US ON SOCIAL MEDIA



TeamAssociated
ReedyPower
ElementRC
FactoryTeam51



@TeamAssociatedRC
@ReedyPower
@Element_RC
@FactoryTeam_RC



@Team_Associated
@ReedyPower



@Associated_Electrics



TeamAssociatedRC
ElementRC



TeamAssociated
Reedy
Element-rc