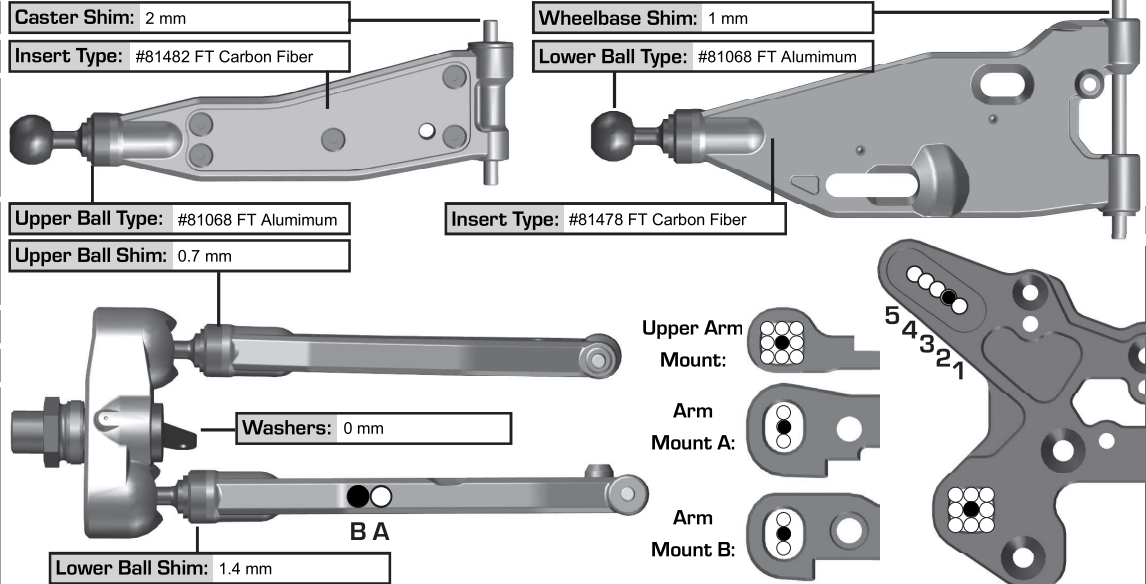


## Front Suspension:

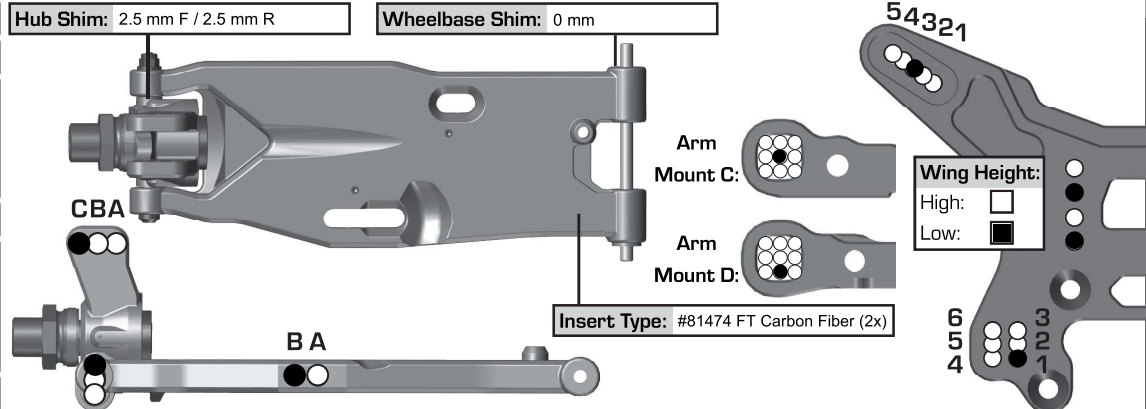
**RESET**

**Ride Height:** 36 mm  
**Toe:** 0° **Hex:** +9 mm  
**Anti-Roll Bar**  
**Size:** 2.2 mm  
**Gap:** 2 mm  
**Ackerman**  
 1 2 3  
**Steering Arm Plate:** #81066 0°  
**Drive Shaft:** CVAs:  Universals:   
**Notes:** #81012 Differential Outdrive, 17mm



## Rear Suspension:

**Ride Height:** 39 mm  
**Camber:** -1° **Hex:** #81080 +2 mm  
**Anti-Roll Bar**  
**Size:** 2.5 mm  
**Gap:** 2 mm  
**Drive Shaft:** CVAs:  Universals:   
**Chassis Brace**  
**Pivot Type:** Kit  
**Insert Type:** Kit  
**Notes:**



## Electronics:

**Radio:** **Servo:** #27153 Reedy RT5012A HV  
**EPA:** Throttle: 90 % Brake: 85 %  
**EXPO:** Throttle: -10 % Brake: 0 %  
**ESC:** #27007 Reedy Blackbox 850R **Motor:** #27407 Reedy Sonic 877 2000kV  
**Battery:** Saddle  Brick   
**Battery Position:** Rear  Center  Forward   
**Battery Tray Position:** Rear  Forward   
**Notes:**

## Differential:

	Front	Center	Rear
<b>Fluid:</b>	FT Mixed 12.5k	#5447 FT 15k	#5455 FT 10k
<b>Gears:</b>	#81382 LTC	#81380 HTC	#81382 LTC
<b>Mass:</b>	N/A	N/A	N/A
<b>Notes:</b>	2x #89116 Diff Gaskets Per Diff		

**Gearing:**  
**Spur Gear:** #81386 46T **Pinion:** 16T Steel  
**Notes:** Steel Spur Gear & Pinion

## Shocks:

	Front	Rear
<b>Piston:</b>	FT 5 x 1.4 Flat	FT 5 x 1.5 Flat
<b>Fluid:</b>	#5476 FT 40wt	#5474 FT 35wt
<b>Bladder:</b>	#81184 Bleeder	#81184 Bleeder
<b>Rebound:</b>	0 mm	0 mm
<b>Spring:</b>	Tekno Pink	Tekno Green
<b>Length:</b>	110 mm	129.5 mm
<b>Eyelet:</b>	+2 mm	+2 mm
<b>Notes:</b>		



## Track Info:

**Size:** Small  Medium  Large  Extra Large   
**Surface:** Dirt  Carpet  AstroTurf  Multi Surface   
**Traction:** Low  Medium  High  Very High   
**Moisture:** Dry  Damp  Wet   
**Condition:** Indoor  Outdoor  Dusty  Hard Packed   
 Bumpy  Grooved  Smooth  Loamy   
**Temperature:** Ambient: \_\_\_\_\_ Track: \_\_\_\_\_  
**Notes:**

## Tires:

**Front Tire/Compound/Insert/Wheel:**  
 JConcepts  
**Rear Tire/Compound/Insert/Wheel:**  
 JConcepts  
**Notes:**

## Body and Wing:

**Body:** JConcepts F2  
**Rear Wing:** JConcepts Razor  
**Angle:** 0°  2°  4°  **Button:** Flat  Fin   
**Vent Holes:**  
**Weight:**  
**Total Weight:**  
**Notes:**

## Vehicle Comments:

**Notes:** Mugen E2227 Front & E2272 Rear Universals