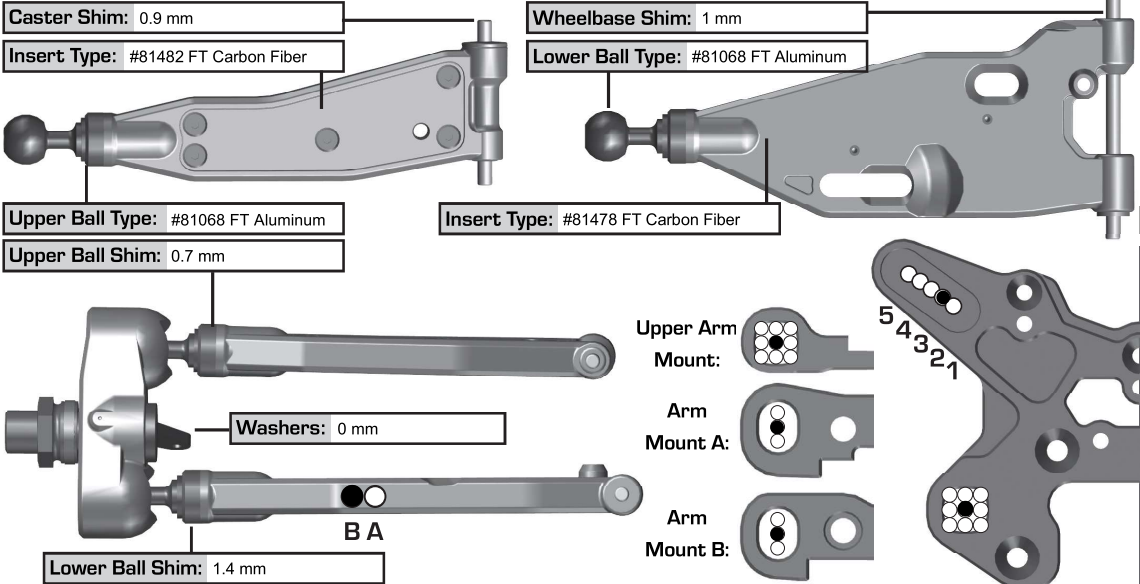


Front Suspension:

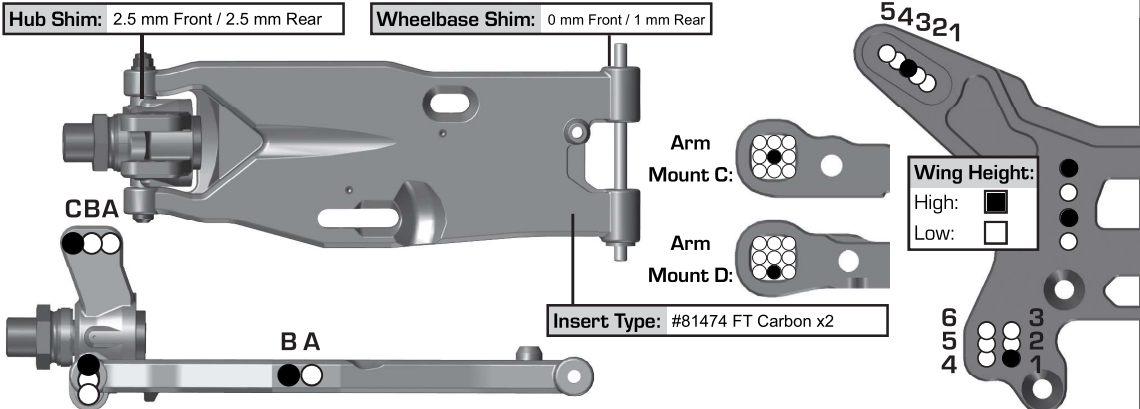
RESET

Ride Height: 36 mm (Body On + Full Tank)
Toe: Tierod Gap = 63 mm **Hex:** Tekno +4
Anti-Roll Bar
Size: 2.2 mm
Gap: 2 mm
Ackerman
 1 2 3
Steering Arm Plate: #81063 +2 (Kit)
Drive Shaft: CVAs: Universals:
Notes: #81012 17 mm Outdrive



Rear Suspension:

Ride Height: 38 mm (Body On + Full Tank)
Camber: -2° **Hex:** #81080 FT +2 mm
Anti-Roll Bar
Size: 2.5 mm
Gap: Reversed & Flush
Drive Shaft: CVAs: Universals:
Chassis Brace
Pivot Type: Kit
Insert Type: Kit
Notes: #81489 FT Rear Hubs, Aluminum



Electronics and Engine:

Radio: Futaba T10Px
Receiver Battery: Protek 2300
Throttle Servo: Savox 2290
Steering Servo: Savox 2290
EPA: Throttle: 44 % Brake: 65 %
Brake Bias: 50%F / 50%R **D/R:** 100 %
Engine: Reds SuperVeloce 721 Gen3 **Temp:** N/A
Pipe: Reds 2143 **Fuel:** VP Powermaster Pro Race 30%
Restrictor: 8 mm **Glow Plug:** TS3
Notes:

Differential:

	Front	Center	Rear
Fluid:	12.5 K Mixed	#5455 FT 10k	#5455 FT 10k
Gears:	LTC	HTC	LTC
Mass:	2.5g (Dry)	2.5g (Dry)	2.5g (Dry)
Notes:			

Clutch and Gearing:

Spur Gear: 46T **Bell:** 13T
Shoes: 2 x #81377 Hard Plastic + 2 x #81375 Hard Aluminum
Springs: 2 x #81366 0.95 + 2 x #81367 1.00
Notes:

Shocks:

	Front	Rear
Piston:	8 x 1.3 MIP (Clear Flap)	8 x 1.3 MIP (Blue Flap)
Fluid:	#5433 FT 37.5 wt	#5432 FT 32.5 wt
Bladder:	#81184 Bleeder	#81184 Bleeder
Rebound:	None	None
Spring:	Tekno Pink	Tekno Green
Length:	110.5 mm	129.5 mm
Eyelet:	+0	+2
Notes:		



Track Info:

Size: Small Medium Large Extra Large
Surface: Dirt Carpet AstroTurf Multi Surface
Traction: Low Medium High Very High
Moisture: Dry Damp Wet
Condition: Indoor Outdoor Dusty Hard Packed
 Bumpy Grooved Smooth Loamy
Temperature: Ambient: 60F Track: 60F
Notes:

Tires:

Front Tire/Compound/Insert/Wheel:
 JConcepts Reflex / Green / JConcepts Dirt Tech / JConcepts Mono
Rear Tire/Compound/Insert/Wheel:
 JConcepts Reflex / Green / JConcepts Dirt Tech / JConcepts Mono
Notes:
Radio Tray Flex Assembly:
Transponder Mount: **None:**
Radio Tray Brace:

Body and Wing:

Body: JConcepts F2
Rear Wing: JConcepts F2I (Back Cut)
Angle: 0° 2° 4° **Button:** Flat Fin
Vent Holes:
Weight:
Total Weight:
Notes:

Vehicle Comments:

Notes: Mugen E2227 Front and E2272 Rear Universals