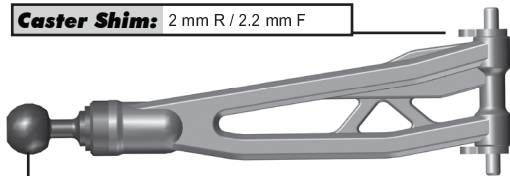
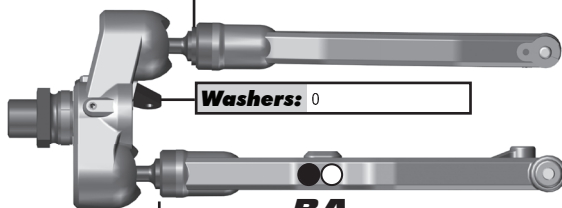


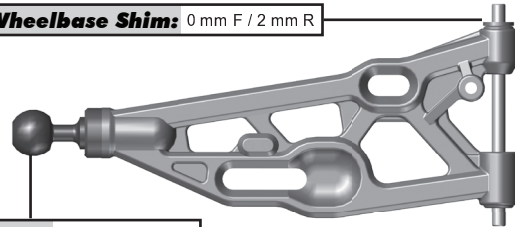
Front Suspension:

Ride Height: 41 mm (Body Off)
Camber: -1
Toe: +2* (Tierod Gap = 62.0 mm)
Anti-Roll Bar
Size: 2.4 mm (Green)
Gap: 2 mm
Ackerman
Notes: #81066 Steering Block Arms
Drive Shaft: CVAs: <input checked="" type="checkbox"/> Universals: <input type="checkbox"/>
Chassis Brace: Short: <input checked="" type="checkbox"/> Long: <input type="checkbox"/>
Hex: #81319 Hex Drive, 17mm Offset
Notes: 1mm Removed From Front A-Arm; 2mm Shim Between Sway Bar Links; #81084 RC8B3.1 Servo Saver Tube & Spring

Caster Shim: 2 mm R / 2.2 mm F

Upper Ball Type: #81067 Steel

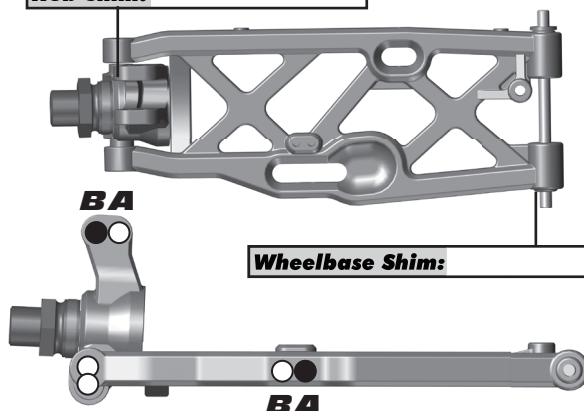
Upper Ball Shim: 0.35 mm (Thin)

Washers: 0

BA
Lower Ball Shim: 1.4 mm (Thick)

Wheelbase Shim: 0 mm F / 2 mm R

Lower Ball Type: #81067 Steel

Upper
Arm
Mount:
Arm
Mount A:
Arm
Mount B:
Rear Suspension:

Ride Height: 45mm (Body Off)
Camber: -2* (Tierod Gap = 55.5mm)
Anti-Roll Bar
Size: 2.7 mm (Blue)
Gap: 0 mm (Ball Reversed)
Drive Shaft: CVAs: <input checked="" type="checkbox"/> Universals: <input type="checkbox"/>
Chassis Brace: Short: <input type="checkbox"/> Long: <input checked="" type="checkbox"/>
Hex: #81319 Hex Drive, 17mm Offset
Notes: #81077 FT Aluminum Hubs (Middle); Sway Bar Link Moved 3mm Back In A-Arm

Hub Shim: 2.5 mm F / 2.5 mm R

BA
Wheelbase Shim:
BA
Arm
Mount C:
Arm
Mount D:
Electronics:

Radio: Futaba 4PK
Servo: #27107 Reedy RT2207A
EPA: Throttle: 100 % Brake: 100 %
EXPO: Throttle: 0 % Brake: 0 %
ESC: N/A
Motor: N/A
Battery: #318 Reedy 4S 6500 mAh
Notes:

Differential Fluid:

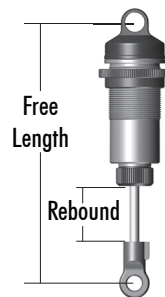
Front: 20,000
Center: 30,000
Rear: 10,000
Notes: V2 Diffs

Gearings:

Spur Gear: 46	Pinion: 16
Notes:	

Shocks:

	Front	Rear
Piston:	8 x 1.35	8 x 1.35
Fluid:	55wt	50wt
Cap:	#81179 Bleeder	#81179 Bleeder
Rebound:	0 mm	0 mm
Spring:	Tekno Green (80 mm)	Tekno Yellow (94 mm)
Free Length:	108 mm	126 mm
Notes:	#81176 & #81177 Chrome Shock Shafts; #81407 Shock Seal Busing Set; #81164 & #81165 Fox Shock Bodies	


Track Info:

Size: Small <input type="checkbox"/> Medium <input checked="" type="checkbox"/> Large <input checked="" type="checkbox"/> Extra Large <input type="checkbox"/>
Surface: Dirt <input checked="" type="checkbox"/> Carpet <input type="checkbox"/> Astroturf <input type="checkbox"/> Multi Surface <input type="checkbox"/>
Traction: Low <input type="checkbox"/> Medium <input checked="" type="checkbox"/> High <input type="checkbox"/> Very High <input type="checkbox"/>
Moisture: Dry <input checked="" type="checkbox"/> Damp <input type="checkbox"/> Wet <input type="checkbox"/>
Condition: Indoor <input type="checkbox"/> Outdoor <input checked="" type="checkbox"/> Dusty <input checked="" type="checkbox"/> Hard Packed <input checked="" type="checkbox"/> Bumpy <input checked="" type="checkbox"/> Grooved <input type="checkbox"/> Smooth <input type="checkbox"/> Loamy <input type="checkbox"/>
Temperature: Ambient: 97F Track: 115F
Notes:

Tires:

Front Tires: Pro-Line Blockade
Front Compound: MX
Front Insert: Pro-Line Closed Cell
Rear Tires: Pro-Line Blockade
Rear Compound: MX
Rear Insert: Pro-Line Closed Cell
Wheel (F/R): Pro-Line
Notes:

Body, Wings:

Body: #81324 Team Associated Kit
Wings: #81106 Team Associated Kit
Wing Height: High: <input checked="" type="checkbox"/> Low: <input type="checkbox"/>
Gap to Tower: 20 mm
Weight:
Total Vehicle Weight: 4280g
Notes:

Vehicle Comments:
Notes: #81274 Upper Titanium Screw Kit; #1363 FT Aluminum Servo Horn, 18.5 mm; #81085 Servo Saver Arm, Aluminum;