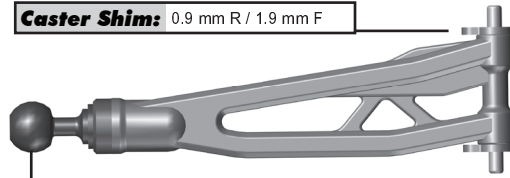
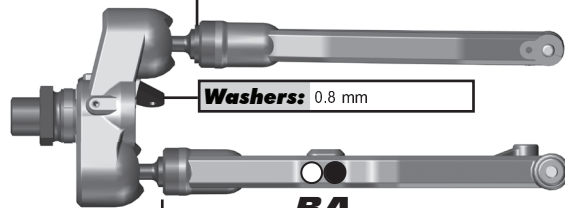


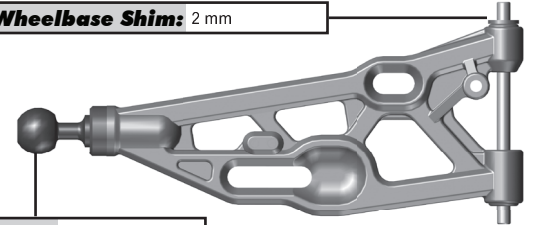
**RESET**
**Front Suspension:**

<b>Ride Height:</b> 39 mm (Body Off)
<b>Camber:</b> 0°
<b>Toe:</b> +3°
<b>Anti-Roll Bar</b>
<b>Size:</b> 2.4 mm (Green)
<b>Gap:</b> 2 mm
<b>Ackerman</b>
<b>Notes:</b> #81066 Kit Ackerman
1 2 3 4 5
<b>Drive Shaft:</b> CVAs: <input type="checkbox"/> Universals: <input checked="" type="checkbox"/>
<b>Chassis Brace:</b> Short: <input type="checkbox"/> Long: <input checked="" type="checkbox"/>
<b>Hex:</b> ##89095 RC8.2 Hex
<b>Notes:</b> 2mm Between Sway Bar Links Front Arm Moved Forward 1 mm

**Caster Shim:** 0.9 mm R / 1.9 mm F

**Upper Ball Type:** #81068 Aluminum

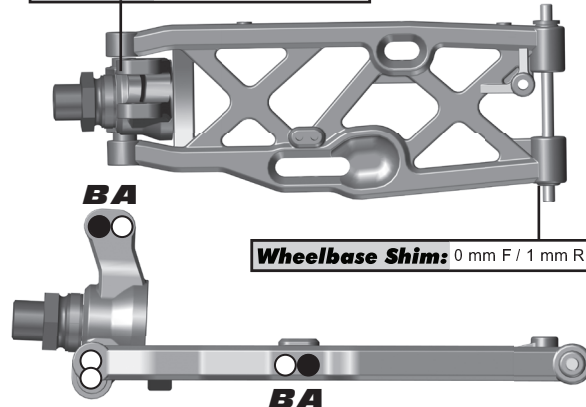
**Upper Ball Shim:** 0.7 mm (Medium)

**Washers:** 0.8 mm

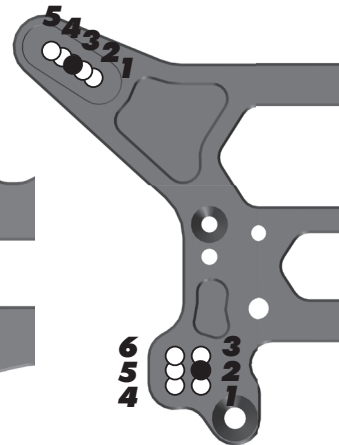
**BA**
**Lower Ball Shim:** 1.4 mm (Thick)

**Wheelbase Shim:** 2 mm

**Lower Ball Type:** #81068 Aluminum

**Upper Arm Mount:**
**Arm Mount A:**
**Arm Mount B:**
**Rear Suspension:**

<b>Ride Height:</b> 41 mm (Body Off)
<b>Camber:</b> -2°
<b>Anti-Roll Bar</b>
<b>Size:</b> 2.9 mm (Red)
<b>Gap:</b> 0 mm
<b>Drive Shaft:</b> CVAs: <input type="checkbox"/> Universals: <input checked="" type="checkbox"/>
<b>Chassis Brace:</b> Short: <input type="checkbox"/> Long: <input checked="" type="checkbox"/>
<b>Hex:</b> #81319 RC8T3 Kit
<b>Notes:</b> Sway Bar Link Moved Back 3mm In A-Arm #81077 FT Hubs (Pin Height Location = Middle)

**Hub Shim:** 2.5 mm F / 2.5 mm R

**BA**
**Wheelbase Shim:** 0 mm F / 1 mm R

**BA**
**Arm Mount C:**
**Arm Mount D:**

**Electronics:**

<b>Radio:</b> Sanwa M12S
<b>Servo:</b> #27106 Reedy RS1806
<b>EPA:</b> Throttle: 95 % Brake: 70 %
<b>EXPO:</b> Throttle: 0 % Brake: 0 %
<b>ESC:</b> Hobbywing XR8PLUS / Software 4.0.53 / USBLink 4.0.1
<b>Motor:</b> 2000 kV
<b>Battery:</b> #318 Reedy 6500 mAh
<b>Notes:</b> ESC: Brake Force = 37.5%; Punch Level = 5; BEC = 7.4v Dead Band = 6%; Drag Brake = 0%; No Timing

**Differential Fluid:**

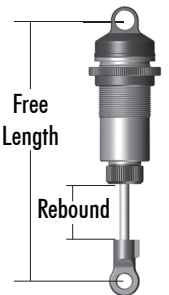
<b>Front:</b> 10,000 V2
<b>Center:</b> 30,000 V2
<b>Rear:</b> 7,000 V2
<b>Notes:</b> Filled 1 mm Above Cross Pins

**Gearings:**

<b>Spur Gear:</b> 46	<b>Pinion:</b> 16
<b>Notes:</b> Metal Spur Gear	

**Shocks:**

	Front	Rear
<b>Piston:</b>	6 x 1.3 Flat Kit	6 x 1.3 Flat Kit
<b>Fluid:</b>	42.5 wt	40 wt
<b>Cap:</b>	Bladder	Bladder
<b>Rebound:</b>	0 mm	0 mm
<b>Spring:</b>	75/7.75	Orange
<b>Free Length:</b>	106 mm	126 mm
<b>Notes:</b>		


**Track Info:**

<b>Size:</b> Small <input type="checkbox"/> Medium <input type="checkbox"/> Large <input checked="" type="checkbox"/> Extra Large <input type="checkbox"/>
<b>Surface:</b> Dirt <input checked="" type="checkbox"/> Carpet <input type="checkbox"/> AstroTurf <input type="checkbox"/> Multi Surface <input type="checkbox"/>
<b>Traction:</b> Low <input type="checkbox"/> Medium <input checked="" type="checkbox"/> High <input type="checkbox"/> Very High <input type="checkbox"/>
<b>Moisture:</b> Dry <input checked="" type="checkbox"/> Damp <input type="checkbox"/> Wet <input type="checkbox"/>
<b>Condition:</b> Indoor <input type="checkbox"/> Outdoor <input checked="" type="checkbox"/> Dusty <input checked="" type="checkbox"/> Hard Packed <input type="checkbox"/> Bumpy <input checked="" type="checkbox"/> Grooved <input type="checkbox"/> Smooth <input type="checkbox"/> Loamy <input checked="" type="checkbox"/>
<b>Temperature:</b> Ambient: 90F Track: 100F
<b>Notes:</b>

**Tires:**

<b>Front Tires:</b> JConcepts Reflex
<b>Front Compound:</b> Blue or Green
<b>Front Insert:</b> JConcepts Dirt Tech
<b>Rear Tires:</b> JConcepts Reflex
<b>Rear Compound:</b> Blue or Green
<b>Rear Insert:</b> JConcepts Dirt Tech
<b>Wheel (F/R):</b> JConcepts Bullett
<b>Notes:</b>

**Body, Wings:**

<b>Body:</b> JConcepts Finisher Lightweight
<b>Wing:</b> Team Associated Kit
<b>Wing Height:</b> High: <input type="checkbox"/> Low: <input checked="" type="checkbox"/>
<b>Gap to Tower:</b> 20 mm To Front Of Rear Tower
<b>Weight:</b>
<b>Total Vehicle Weight:</b> 4200g
<b>Notes:</b>

**Vehicle Comments:**
**Notes:** #81274 Titanium Screw Kit;