

RC8B T3E TEAM KIT

ELECTRICO

#80918 RC8T3e Team Kit



RC10.COM
World Champion R/C Cars

REEDY
POWERED

TEAM
ASSOCIATED

1:18 Scale Electric 4WD Off Road Truggy Kit Manual & Catalog

TEAM ASSOCIATED



Designed in California, USA

:: Introduction

Thank you for purchasing this Team Associated product. This assembly manual contains instructions and tips for building and maintaining your new RC8T3e Kit. Please take a moment to read through this manual to help familiarize yourself with these steps. We are continually changing and improving our designs; therefore, actual parts may appear slightly different than in the illustrations. New parts will be noted on supplementary sheets located in the appropriate parts bags. Check each bag for these sheets before you start to build.

:: KIT Features

Features in the RC8T3e Kit:

- 7075-T6 hard anodized aluminum chassis features an optimized weight bias layout for improved handling and stability
- New V2 diffs included for longer life and improved performance.
- Front suspension features pillow ball uprights for increased adjustability and improved durability
- Lightweight ring gears and optimized precision ball bearing sizing, reduces drivetrain rotational mass for improved acceleration and battery efficiency
- Gearboxes feature a 4.6:1 internal gear ratio with fast access differentials for quick removal, tuning and maintenance
- Six universal drive shafts for efficient drivetrain power delivery and ease of maintenance
- 7075-T6 aluminum 16mm "Big Bore" threaded shocks with TiN coated 3.5mm shafts, larger diameter precision springs, and optimized bladders for more precise volume compensation
- 7075-T6 aluminum shock towers front and rear feature finely tuned shock mounting and upper arm positions
- Refined suspension geometry with lower hinge pin inserts for quick and easy roll center adjustments
- Lightweight one-piece wing mounts feature height and forward positioning adjustment for more precise handling
- Proline RC8T3e clear body and Team Associated molded wing included
- The RC8T3e shares over 90% parts compatibility with the RC8T3 nitro truggy, offering the perfect solution for multi-class racers

:: Additional

Your new RC8T3e Kit comes as a kit. There are some items you will need to complete your kit (refer to catalog for suggestions):

- 2 channel radio/transmitter set with switch – FM/PCM/2.4GHz recommended
- Transmitter batteries (#302 recommended)
- Steering servo (#29166, 29167, 29168, 27100, 27101 recommended)
- 14.8v LiPo battery pack (#318, 756, 757 recommended)
- Quick charger (#616, 27200 recommended)
- 1/8 scale specific electronic speed control
- 1/8 scale specific electric motor (#988, 989, 993 recommended)
- 1/8th scale buggy tires
- Polycarbonate specific spray paint or polycarbonate specific bottled paint and airbrush
- Thread locking compound (#1596 recommended)
- Hobby knife
- CA (Cyanoacrylic) glue (#1597 recommended)
- Needle nose pliers
- Shock shaft pliers (#1675 recommended)
- Reamer/hole punch
- Ride height gauge (#1449 recommended)

:: Other Helpful Items

- Silicone Shock/Diff Fluids (Refer to catalog for complete listings)
- FT Turnbuckle Wrench (AE #89240)
- FT Hex Wrenches (AE #1519, 1655)
- FT Nut Drivers (AE #1663-1668)
- Soldering Iron
- Calipers or Precision Ruler
- Green Slime shock lube (AE #1105)
- Body Scissors (AE #1737)
- Wire Cutters
- T Handle Ratchet Driver (AE #1679)













Associated Electrics, Inc.
26021 Commercentre Dr.
Lake Forest, CA 92630














Customer Service
Tel: 949.544.7500
Fax: 949.544.7501

:: Hardware - 1:1 Scale View






Flat Head (fhcs)

	2.5x6mm (4675)
	2.5x8mm (31448)
	3x6mm (31541)
	3x8mm (25201) Titanium (91592)
	3x10mm (25202) Titanium (91593)
	3x12mm (25203) Titanium (91594)
	3x14mm (89208) Titanium (91595)
	4x10mm (81262)
	4x12mm (89214)
	4x14mm (89217)
	4x16mm (81263)
	4x20mm (81264)






Button Head (bhcs)

	2.5x6mm (31520)
	2.5x8mm (31521)
	2.5x18mm (81259)
	3x6mm (31531) Titanium (91580)
	3x10mm (25211)
	3x14mm (25187) Titanium (91584)
	3x16mm (89203) Titanium (91585)
	3x20mm (25188)
	3x24mm (89204) Titanium (91589)
	4x14mm (81260)
	4x16mm (81261)





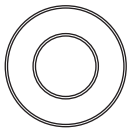
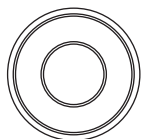
Socket Head (shcs)

	2x5mm (31511)
	2x16mm (7184)
	3x8mm (89223)
	3x10mm (25620)
	3x24mm (89225)

Set Screws

	3x3mm (25225)
	3x6mm (81257)
	3x10mm (4671)
	3x12mm (81258)
	4x4mm (7732)
	5x4mm (89221)

Ball Bearings

	5x8x2.5mm (89161)
	5x10x4mm (91560)
	6x10mm (31404)
	6x12x4mm (91561)
	8x16x5mm (91564)
	8x16x5mm flanged (91565)

:: Table of Contents

1..... Cover	16.....Center Bulkhead/ Brakes Build (Bag M, N)
2..... Introduction	17 - 18Anti-Roll Bars Build (Bag O)
3..... 1:1 Hardware "Fold Out"	18 - 19.....Shocks Build (Bag P, Q)
4..... Table of Contents	20.....Radio Tray Build (Bag R)
5 - 7.....Differentials Build (Bag A, B, C)	21.....Receiver Box / Linkage Build (Bag S)
7 - 8.....Steering / Chassis Build (Bag D, E)	22.....Wheel/Tire/Body Build (Misc. Bag)
9 - 10.....Front Gearbox Build (Bag F, G)	23.....Droop Settings
11 - 12.....Front Uprights Build (Bag H, I)	24 - 33.....Catalog
12 - 14.....Rear Gearbox Build (Bag J, K)	34..... Back Cover
15 - 16.....Rear Uprights / Turnbuckles Build (Bag L)	

:: Notes

This symbol indicates a special note or instruction in the manual.



This symbol indicates a Racers Tip.



Scanning this QR code will take you to Team Associated's Tech Tips videos. These videos will help you with your build and setup!



There is a 1:1 hardware foldout page in the front of the manual. To check the size of a part, line up your hardware with the correct drawing until you find the exact size. Each part in the foldout has a number assigned to it for ordering replacement parts.

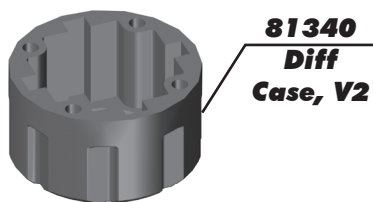
**Associated Electrics, Inc.
26021 Commercentre Dr.
Lake Forest, CA 92630**



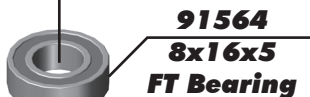
**Customer Service
Tel: 949.544.7500
Fax: 949.544.7501**

<http://www.TeamAssociated.com> • <http://www.RC10.com> • http://twitter.com/Team_Associated • <http://bit.ly/AEonFacebook>

:: Differential Build (Front and Rear) - Bag A, B, C - Step 1



81340
Diff Case, V2



91564
8x16x5 FT Bearing



81344
Diff Outdrive, V2



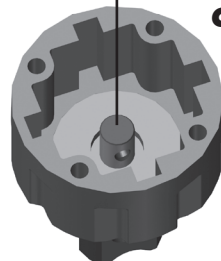
Racer's Tip:
Use black grease (#6588) to lube the O-Rings before installation!



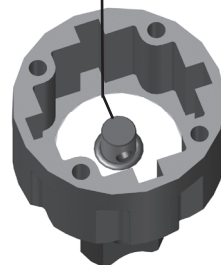
81343
Diff Shim, V2



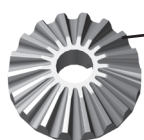
81345
Diff O-Ring, V2



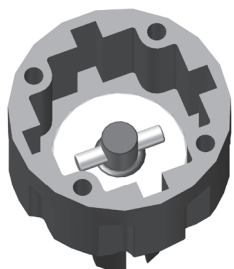
81342
Diff Outdrive Pin, V2



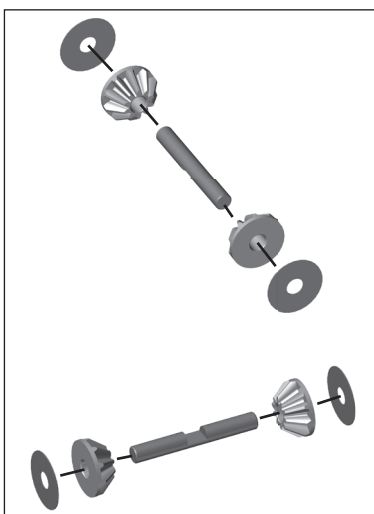
:: Differential Build (Front and Rear) - Bag A, B, C - Step 2



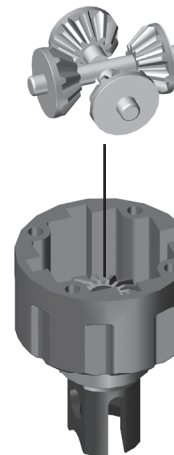
81342
Diff Sun Gear, V2




Align pin with groove in sun gear



81342
Diff Planet Gears, V2



:: Differential Build (Front and Rear) - Bag A, B, C - Step 3



81006
Diff Ring Gear, 46T, V2



91564
8x16x5 FT Bearing



81344
Diff Outdrive, V2



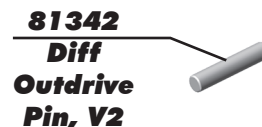
Racer's Tip:
Use black grease (#6588) to lube the O-Rings before installation!



81343
Diff Shim, V2



81345
Diff O-Ring, V2



81342
Diff Outdrive Pin, V2



:: Differential Build (Front and Rear) - Bag A, B, C - Step 4

81342
Diff Sun Gear, V2

81341
Diff Case Gasket, V2

89208 $\times 4$
3x14mm FHCS

Diff Fluid

Front Diff Fluid:
10,000cst #5455

Rear Diff Fluid:
7,000cst #5454

Racer's Tip:
Fill diff to the top of the planet gear pins.

Align pin with groove in sun gear

:: Differential Build (Center) - Bag A, B, C - Step 5

81340
Diff Case, V2

91564
8x16x5 FT Bearing

#6588 black grease

81343
Diff Shim, V2

81345
Diff O-Ring, V2

81342
Diff Outdrive Pin, V2

Racer's Tip:
Use black grease (#6588) to lube the O-Rings before installation!

:: Differential Build (Center) - Bag A, B, C - Step 6

81342
Diff Sun Gear, V2

81342
Diff Planet Gears, V2

Align pin with groove in sun gear

:: Differential Build (Center) - Bag A, B, C - Step 7

81353
Spur Gear,
46T, V2
(plastic)

91564
8x16x5
FT Bearing

#6588
black grease

81344
Diff
Outdrive, V2

Racer's Tip:
Use black grease
[#6588] to
lube the O-Rings
before installation!

81343
Diff
Shim, V2

81345
Diff
O-Ring, V2

81342
Diff
Outdrive
Pin, V2

:: Differential Build (Center) - Bag A, B, C - Step 8

81342
Diff Sun
Gear, V2

81341
Diff Case
Gasket, V2

89208 $\Sigma 4$
3x14mm
FHCS

Racer's Tip:
Fill diff to the top of
the planet gear pins.
Center Diff Fluid:
10,000cst #5455

Align pin with
groove in sun gear

:: Steering / Chassis Build - Bag D, E - Step 1

25201
3x8mm
FHCS

81001 $\Sigma 2$
Side
Guards

81091 $\Sigma 2$
Steering
Post

81311
RC8T3e
Chassis

25201
3x8mm
FHCS

31541 $\Sigma 2$
3x6mm
FHCS

25201
3x8mm
FHCS

25201 $\Sigma 2$
3x8mm
FHCS

25201
3x8mm
FHCS

31541 $\Sigma 2$
3x6mm
FHCS

#1596
thread lock
(not included)

81262 $\Sigma 2$
4x10mm
FHCS

:: Steering / Chassis Build - Bag D, E - Step 2

81087 Servo Saver Tube

81086 Steering Bellcrank

81086 Steering Bellcrank

81087 Servo Saver Shim

81087 Servo Saver Spring

81087 Servo Saver Spring Retainer

31511 2x5mm SHCS

Racer's Tip:
Use black grease (#6588) to lube the bellcrank halves before installation!

1mm

! Tighten 2x5mm SHCS snug. Set servo saver tension to 3mm. Then tighten 2x5mm SHCS to lock.

#1596 thread lock (not included)

:: Steering / Chassis Build - Bag D, E - Step 3

31404 x4 6x10x3mm Bearing

81086 Steering Bellcrank

81089 Steering Rack

81093 x2 Turnbuckle Ball, 4mm

25211 x2 3x10mm BHCS

89161 x4 5x8x2.5mm Bearing

#1596 thread lock (not included)

Kit Setup:
1
2
3
4
5

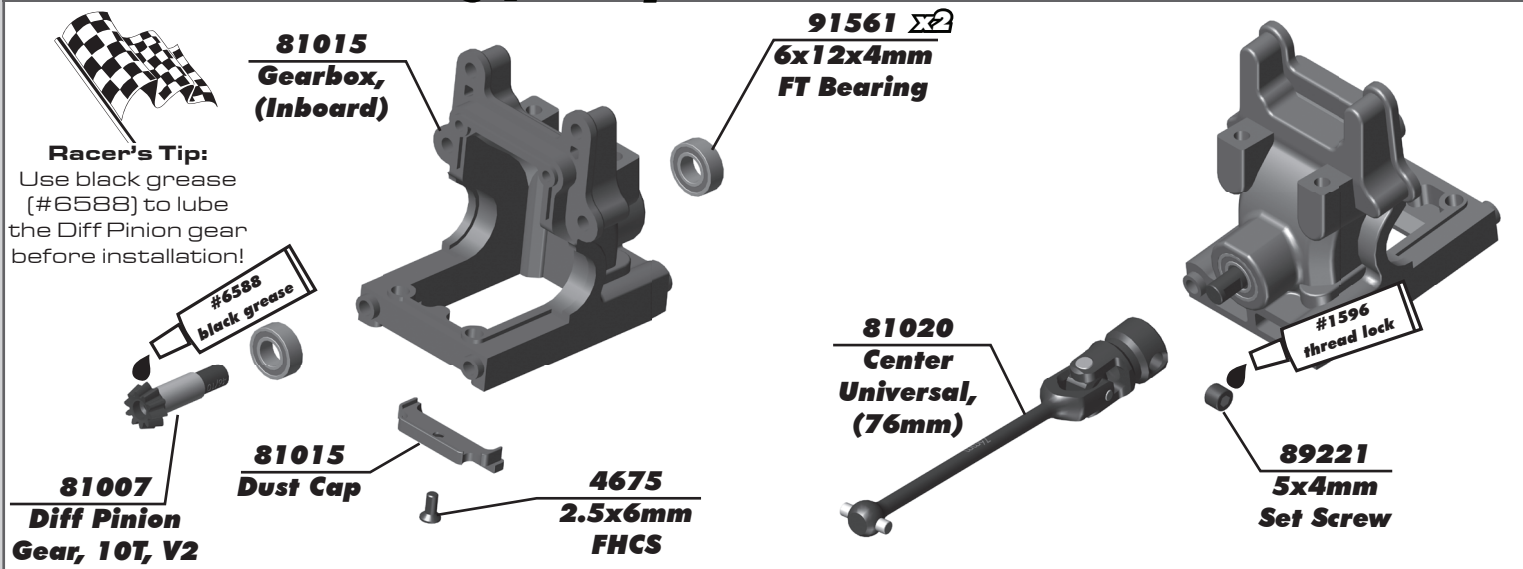
:: Steering / Chassis Build - Bag D, E - Step 4

81088 x2 Steering Bellcrank Nut

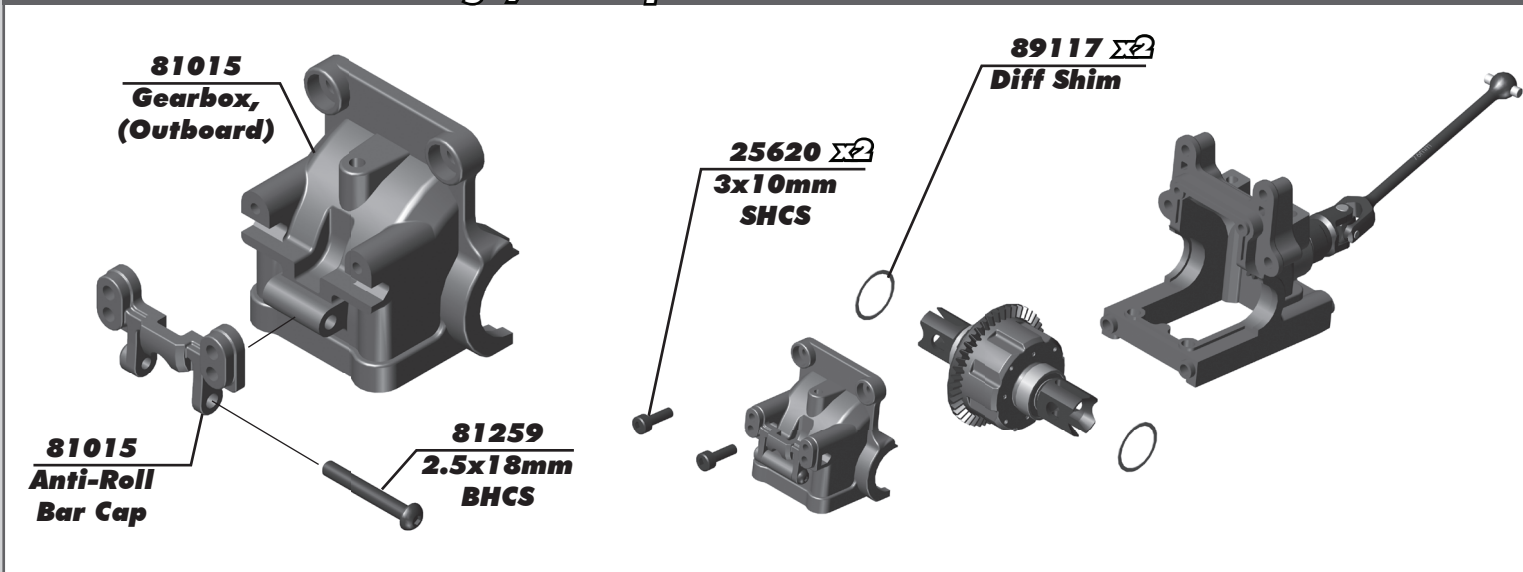
25201 x2 3x8mm FHCS

#1596 thread lock (not included)

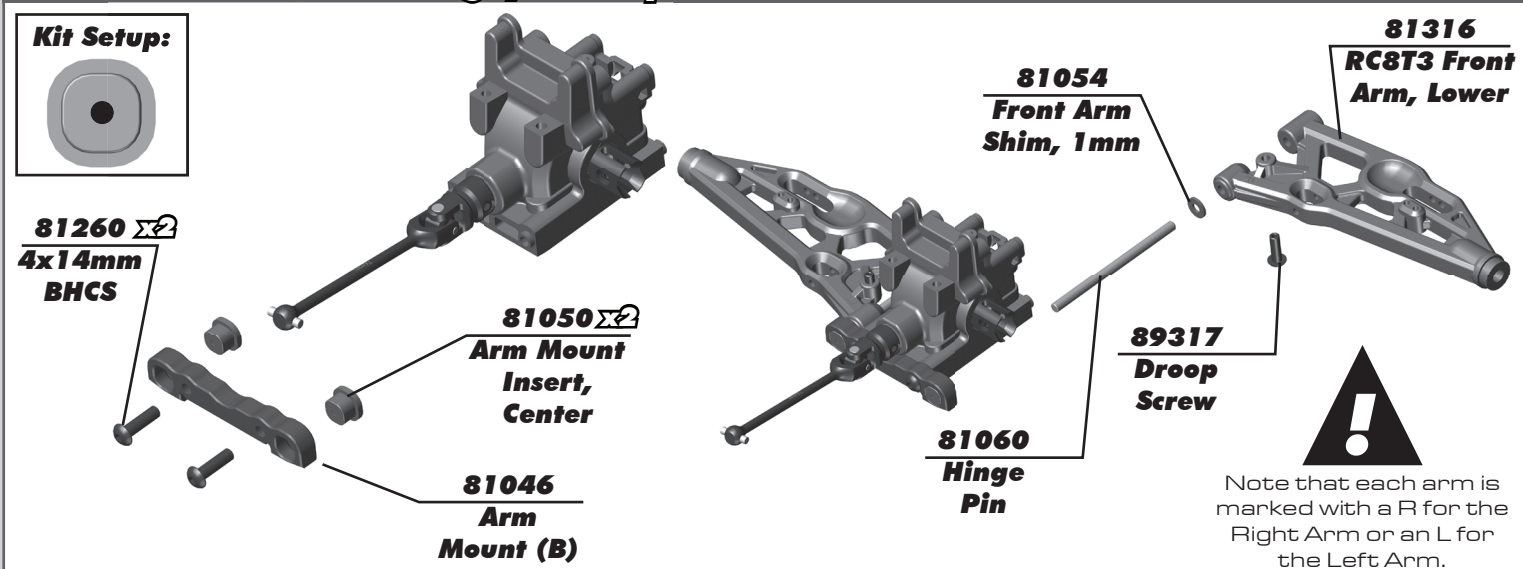
:: Front Gearbox Build - Bag F, G - Step 1



:: Front Gearbox Build - Bag F, G - Step 2




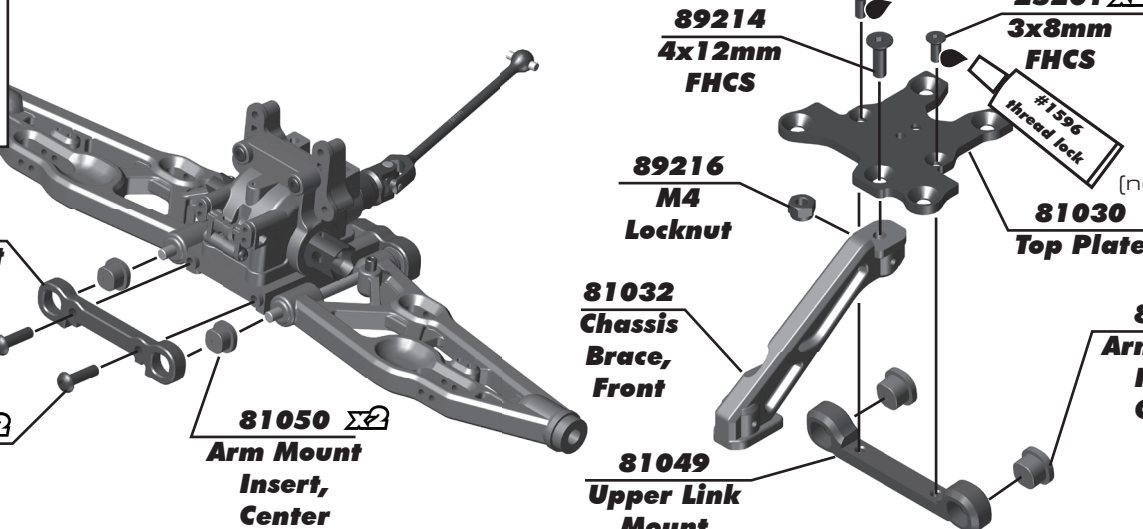
:: Front Gearbox Build - Bag F, G - Step 3



:: Front Gearbox Build - Bag F, G - Step 4

Kit Setup:





81045
Arm Mount (A)

81260 $\Sigma 2$
4x14mm BHCS

81050 $\Sigma 2$
Arm Mount Insert, Center

89214
4x12mm FHCS

89216
M4 Locknut

81032
Chassis Brace, Front

81049
Upper Link Mount


25201 $\Sigma 2$
3x8mm FHCS

#1596 Thread Lock (not included)

81030
Top Plate


81050 $\Sigma 2$
Arm Mount Insert, Center

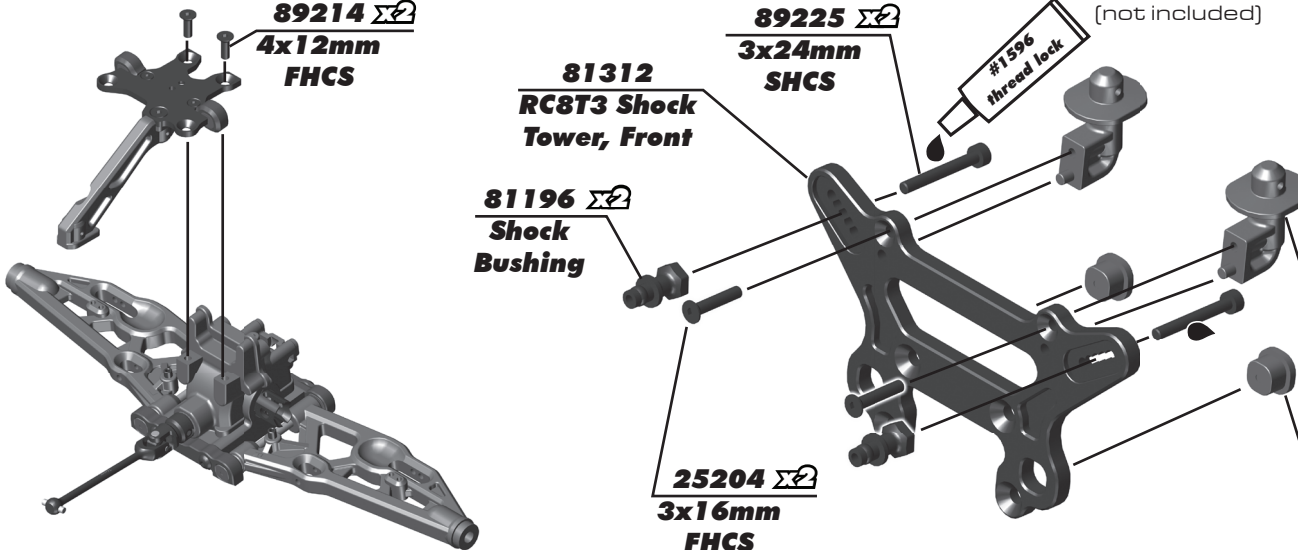
Kit Setup:



:: Front Gearbox Build - Bag F, G - Step 5

Kit Setup:





89214 $\Sigma 2$
4x12mm FHCS

81312
RC8T3 Shock Tower, Front

81196 $\Sigma 2$
Shock Bushing

25204 $\Sigma 2$
3x16mm FHCS


89225 $\Sigma 2$
3x24mm SHCS

#1596 Thread Lock (not included)

81323 $\Sigma 2$
RC8T3 Body Mount

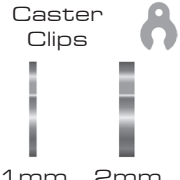
81050 $\Sigma 2$
Arm Mount Insert, Center

Kit Setup:

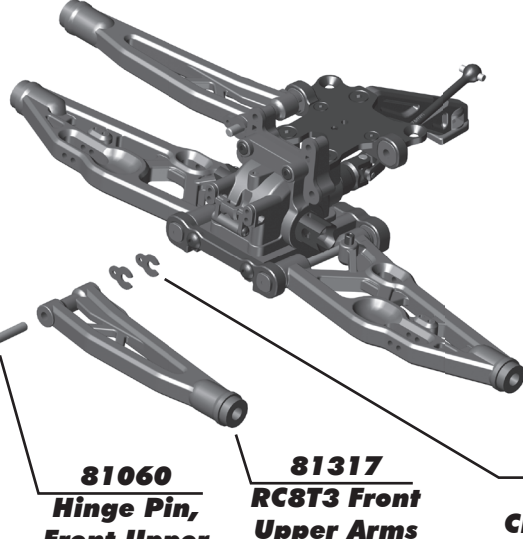


:: Front Gearbox Build - Bag F, G - Step 6

Caster Clips



1mm 2mm




89214 $\Sigma 4$
4x12mm FHCS

81055
Caster Clip, 2mm

81060
Hinge Pin, Front Upper

81317
RC8T3 Front Upper Arms

81055 $\Sigma 2$
Caster Clip, 1mm



Note that each arm is marked with a R for the Right Arm or an L for the Left Arm.

:: Front Uprights Build - Bag H, I - Step 1

81022 Universal, (131mm)

81065 Steering Block

91565 8x16x5mm Bearing, Flanged

25225 3x3mm Set Screw

89096 Wheel Hex Pin

81319 Hex Drive, 17mm, (Blue)

89221 5x4mm Set Screw

81319 Hex Drive Clamp

(not included) **#1596 Thread Lock**

! Slide the Hex Drive Clamp **PAST** the groove on the 17mm Hex Drive. Then install onto the Universal Drive Shaft.

Clamp **Clamp**

Once the Wheel Hex Pin and 5x4mm Set Screw has been installed, slide the Hex Drive Clamp **IN** the groove on the 17mm Hex Drive.

:: Front Uprights Build - Bag H, I - Step 2

81067 Pillow Ball, Steel

25211 3x10mm BHCS

25202 3x10mm FHCS

81066 Steering Block Arm

81093 Turnbuckle Ball, 4mm

81070 Pillow Nut, Blue Aluminum

81065 Pillow Ball Cap

(not included) **#1596 Thread Lock**

! Tighten pillow ball nut (#81070) until pillow ball (#81067) begins to bind, then loosen until pillow ball moves freely.

:: Front Uprights Build - Bag H, I - Step 3

81056 Suspension Arm Endcap

81072 Pillow Ball Shim (0.5 degree)

81072 Pillow Ball Shim (1 degree)

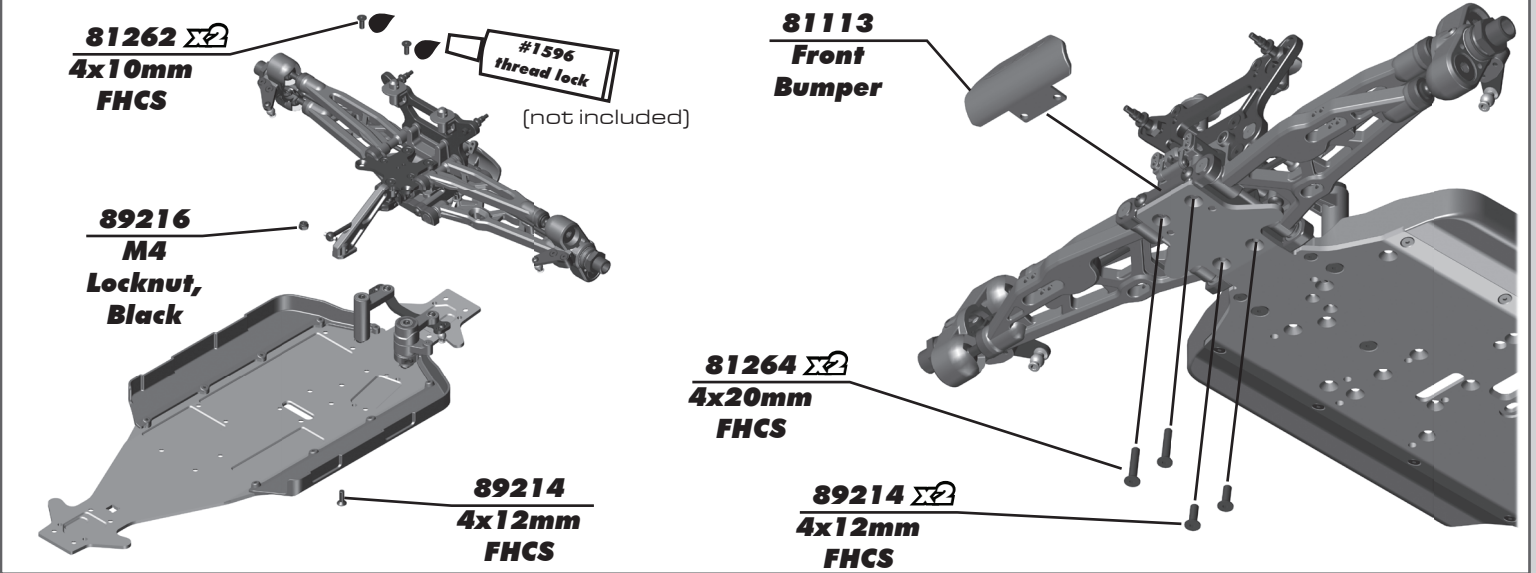
81072 Pillow Ball Shim (2 degree)

! Use Pillow Ball Shims (#81072) to adjust camber.

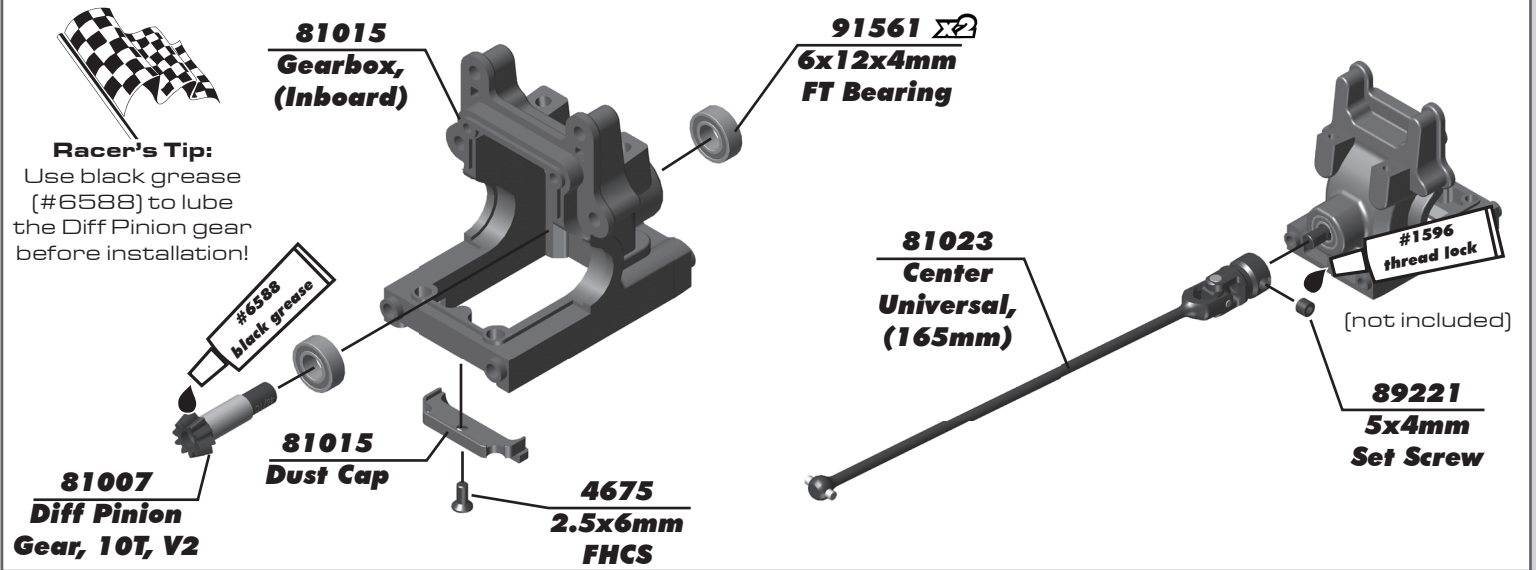
Pillow Ball Shims

0.5° 1° 2°

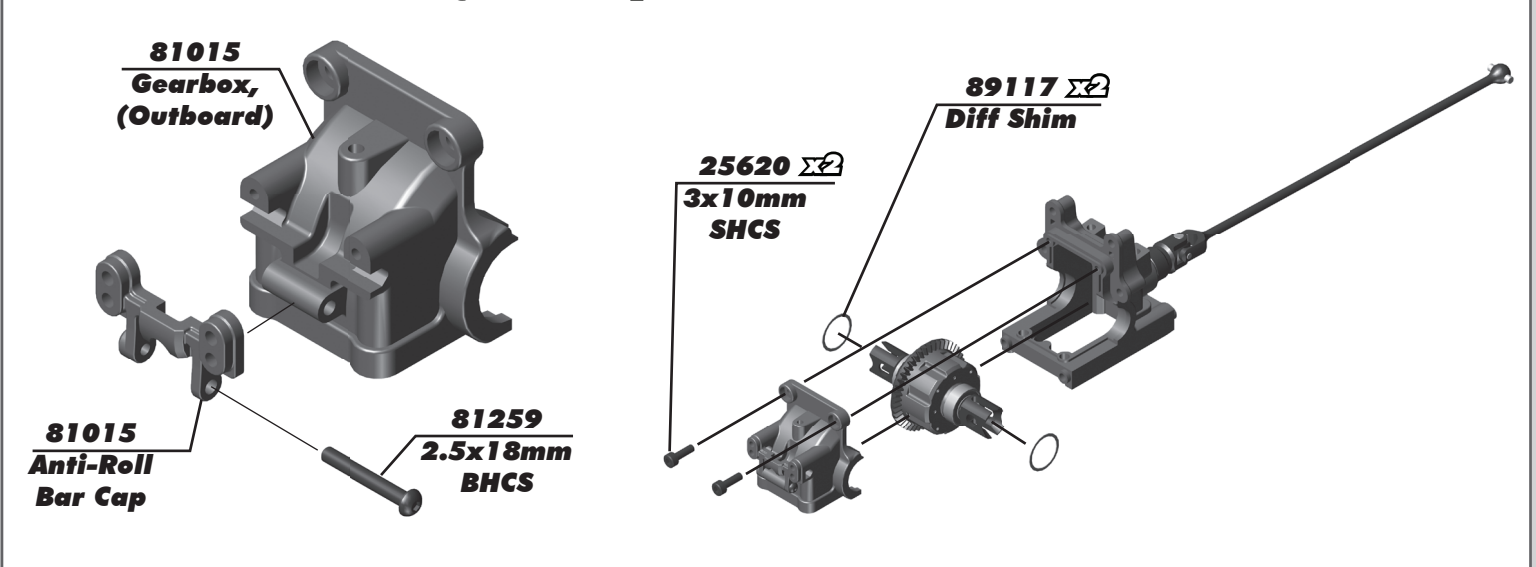
:: Front Uprights Build - Bag H, I - Step 4



:: Rear Gearbox Build - Bag J, K - Step 1

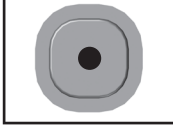


:: Rear Gearbox Build - Bag J, K - Step 2

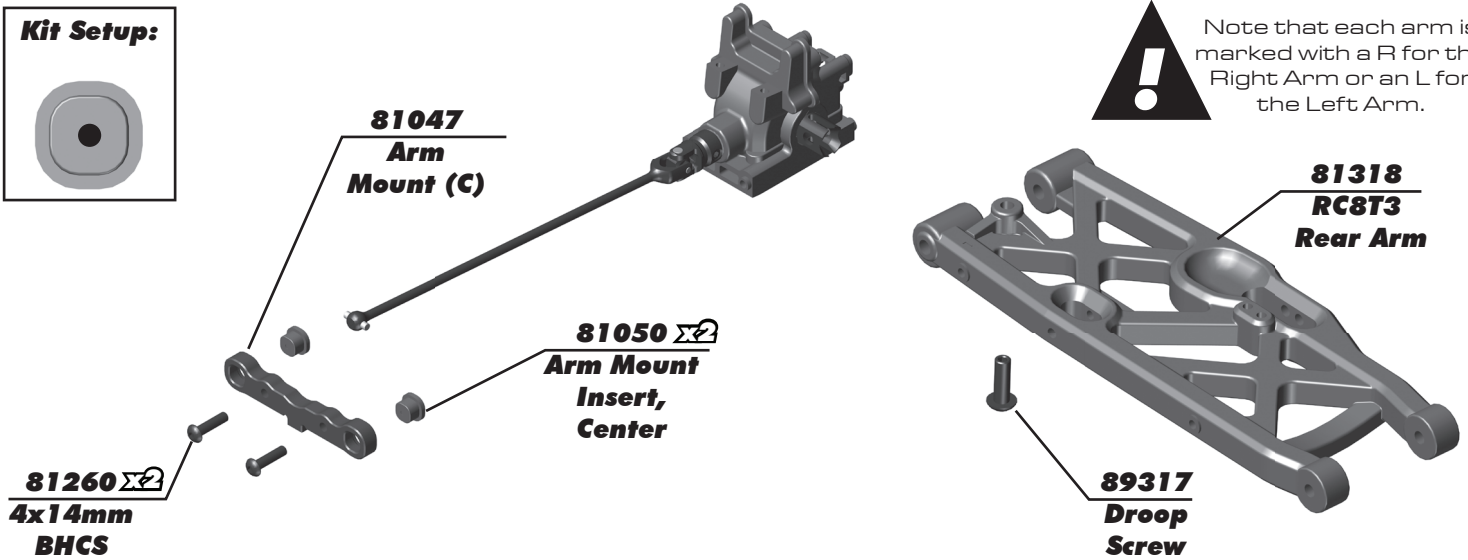


:: Rear Gearbox Build - Bag J, K - Step 3

Kit Setup:

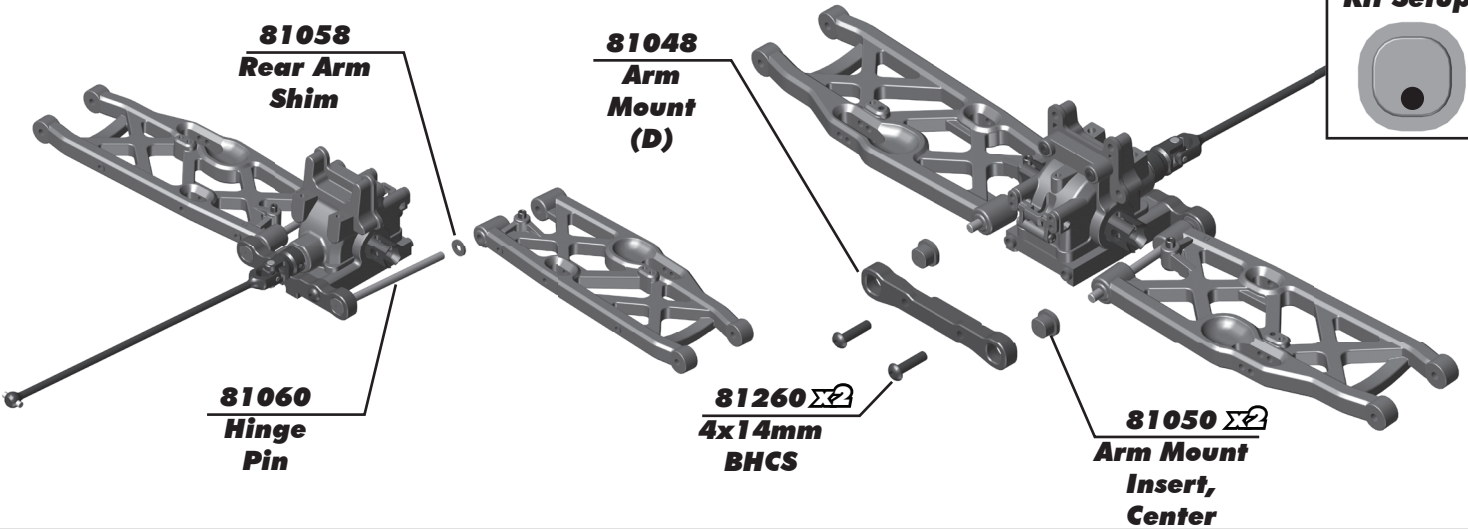
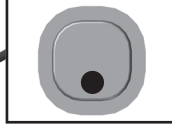


Note that each arm is marked with a R for the Right Arm or an L for the Left Arm.

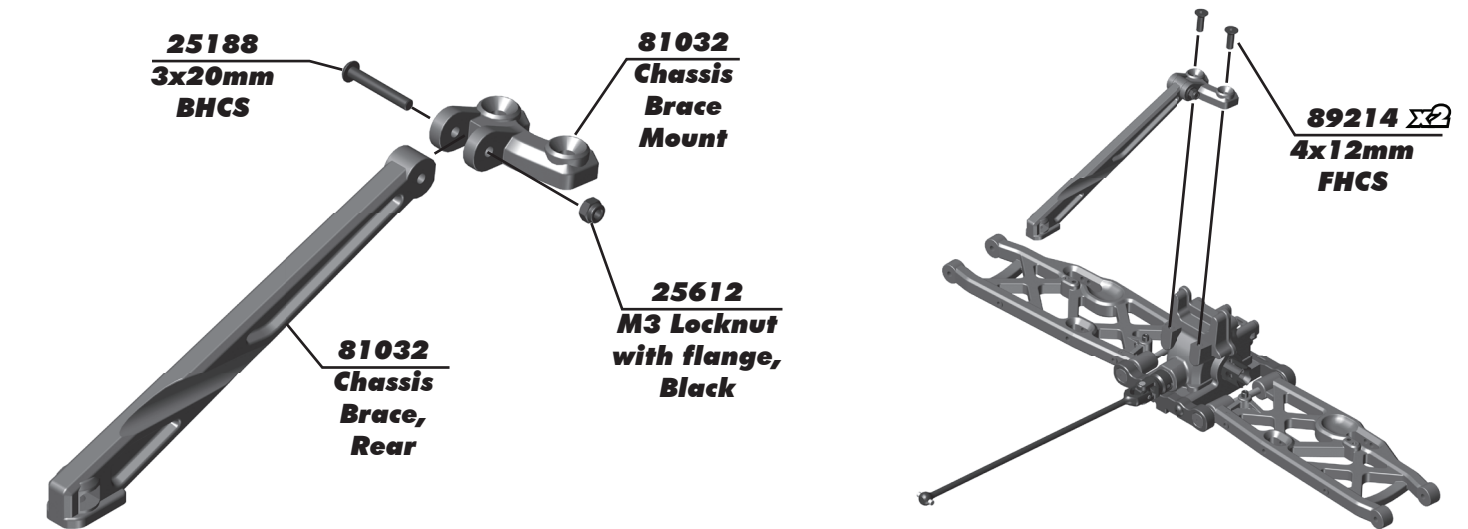


:: Rear Gearbox Build - Bag J, K - Step 4

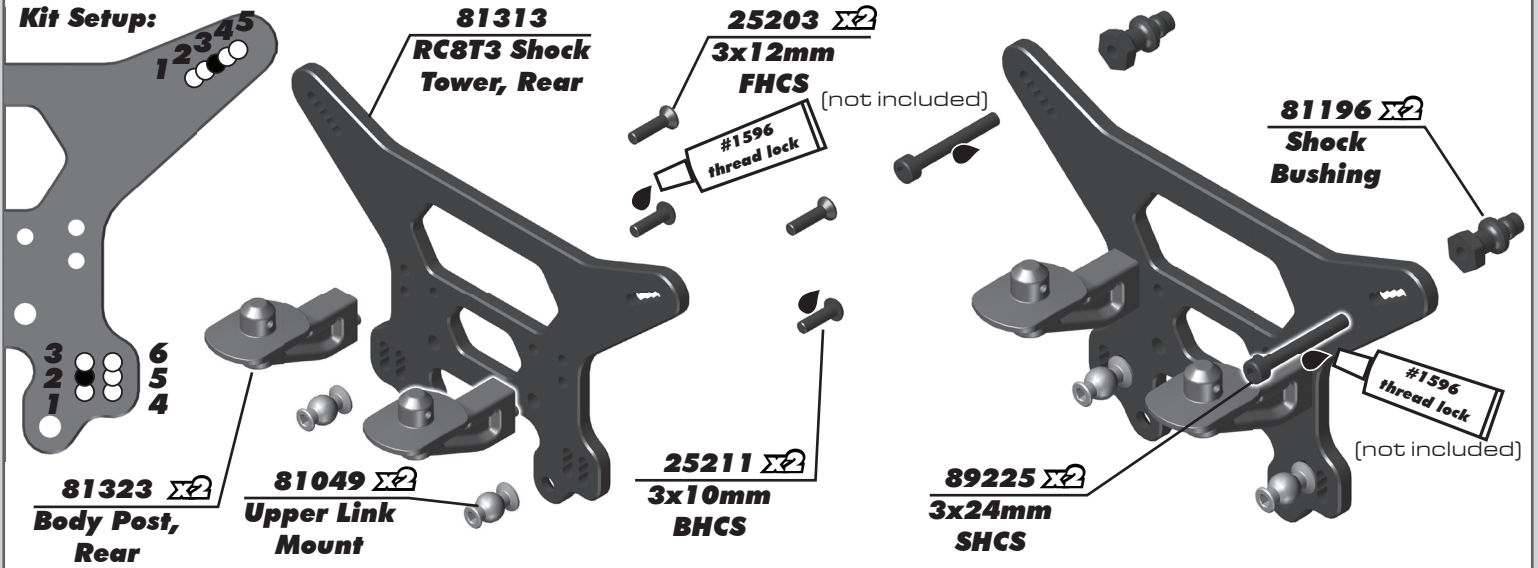
Kit Setup:



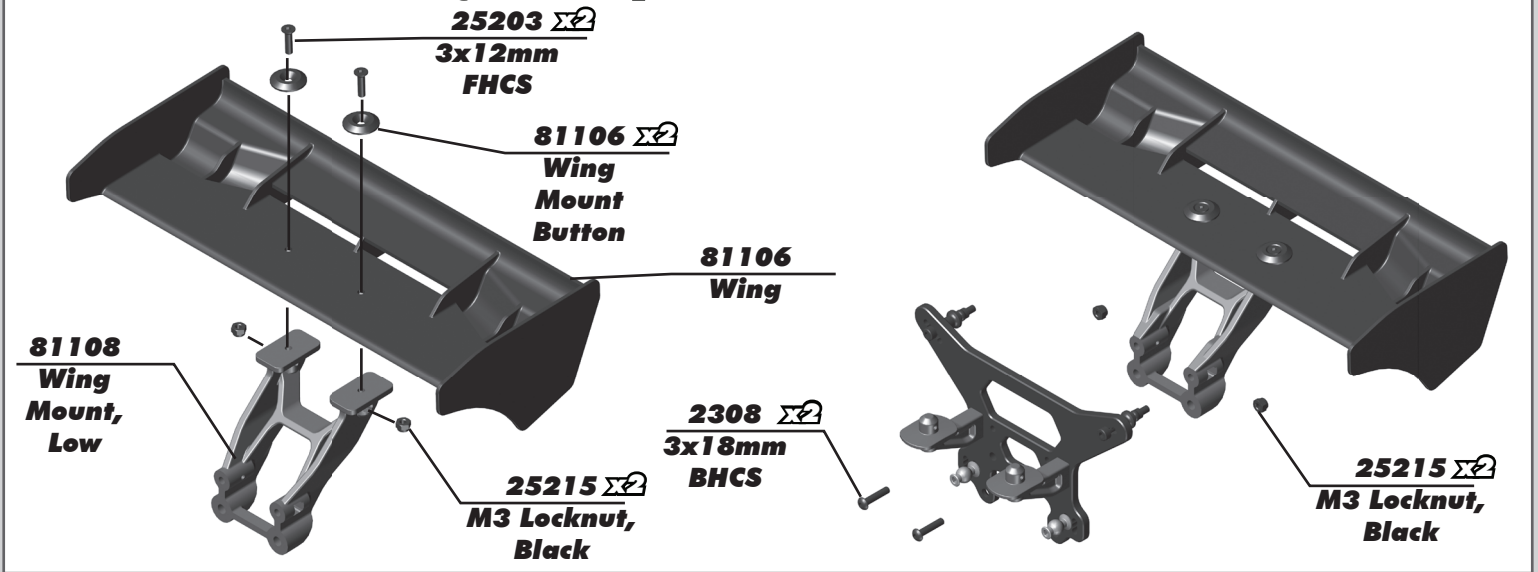
:: Rear Gearbox Build - Bag J, K - Step 5



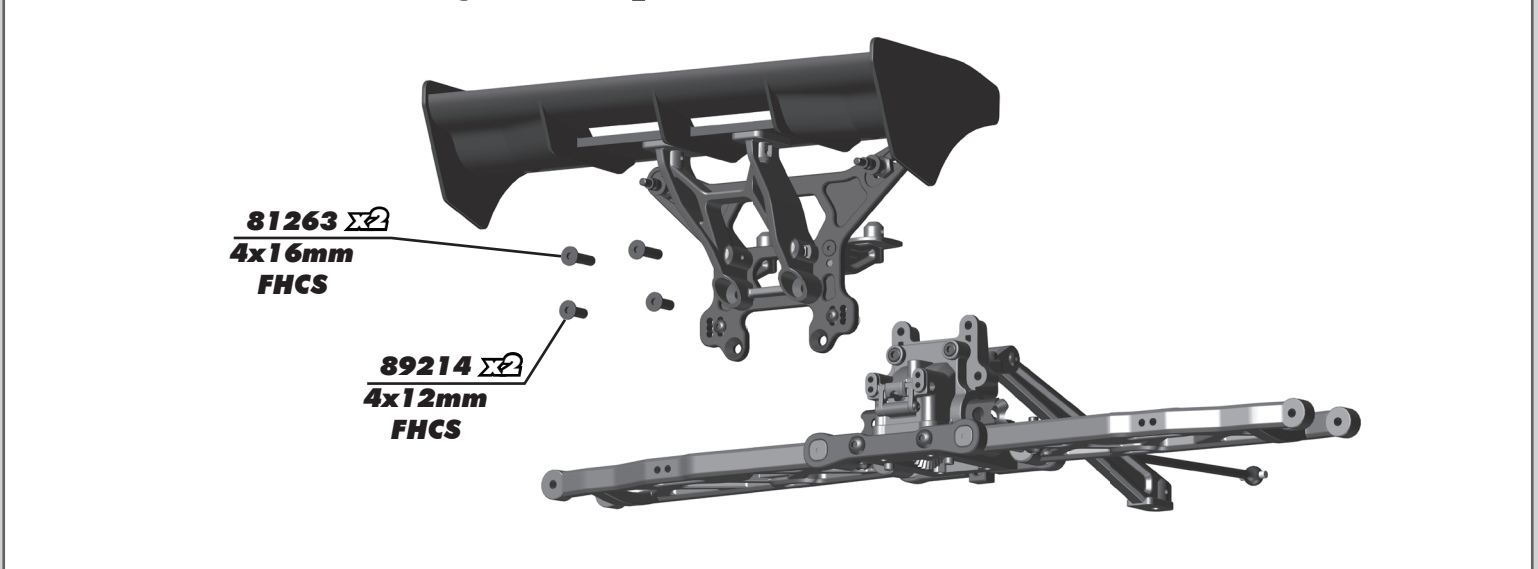
:: Rear Gearbox Build - Bag J, K - Step 6



:: Rear Gearbox Build - Bag J, K - Step 7



:: Rear Gearbox Build - Bag J, K - Step 8



:: Rear Uprights / Turnbuckles Build - Bag K, L - Step 1

91565 $\Sigma 2$
8x16x5mm FT Bearing, Flanged

81022
Universal, (131mm)

25225
3x3mm Set Screw

81075
Rear Hub

89096
Wheel Hex Pin

81319
Hex Drive Clip, 17mm

(not included)

81319
Hex Drive, 17mm Offset (Blue)

89221
5x4mm Set Screw

#1596
Thread Lock

Clamp

Clamp

Slide the Hex Drive Clamp **PAST** the groove on the 17mm Hex Drive when installing onto the Universal Drive Shaft.

Once the Wheel Hex Pin and 5x4mm Set Screw has been installed, slide the Hex Drive Clamp **IN** the groove on the 17mm Hex Drive.

:: Rear Uprights / Turnbuckles Build - Bag K, L - Step 2

Kit Setup:
Mount the rear hub to the rear arm in the lower hole.

Kit Setup:

81094
Rod End, 5mm

81321
Steel Turnbuckle, 5 x 80mm

81094
Rod End, 5mm

81076
Hub Hinge Pin

81075
Rear Hub Shim, 2.5mm

25612
M3 Locknut with flange, Black

81075
Rear Hub Shim, 1.0mm

81075
Rear Hub Shim, 1.5mm

Rear Hub Turnbuckle 57.5''mm (2.26''')

:: Rear Uprights / Turnbuckles Build - Bag K, L - Step 3

Kit Setup:
Mount the rear camber link in the outside hole on the rear hub.

Kit Setup:

89216
M4 Locknut, Black

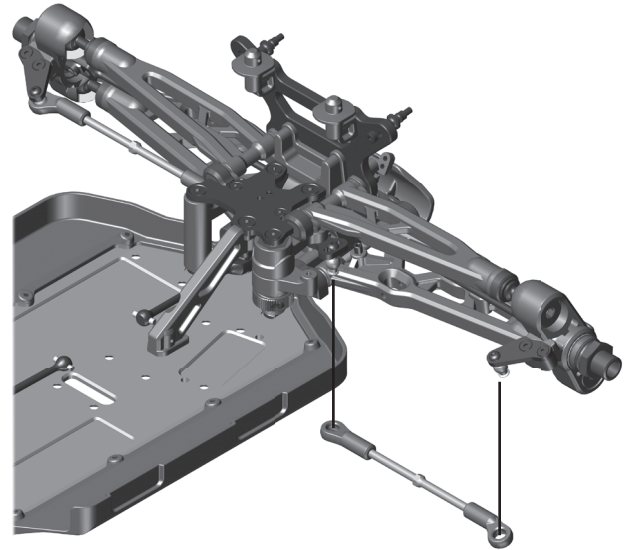
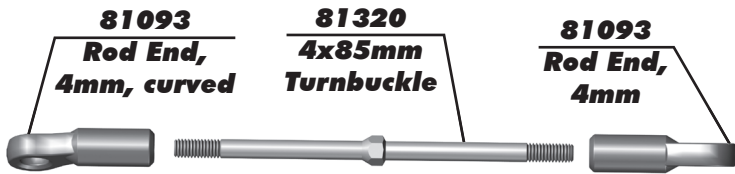
81264 $\Sigma 2$
4x20mm FHCS

89214 $\Sigma 3$
4x12mm FHCS

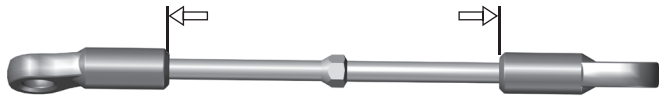
25612
M3 Locknut with flange, Black

89204
3x24mm BHCS

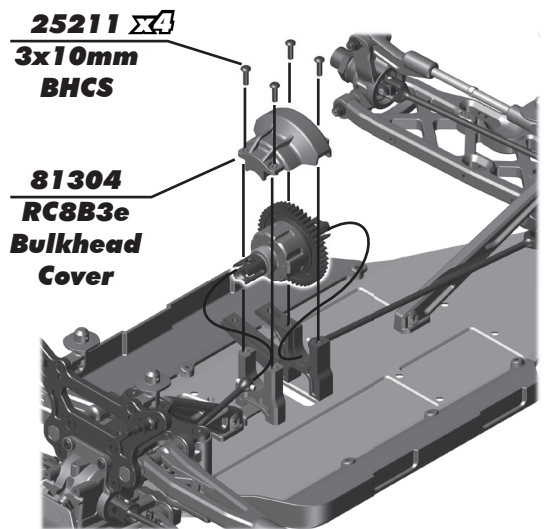
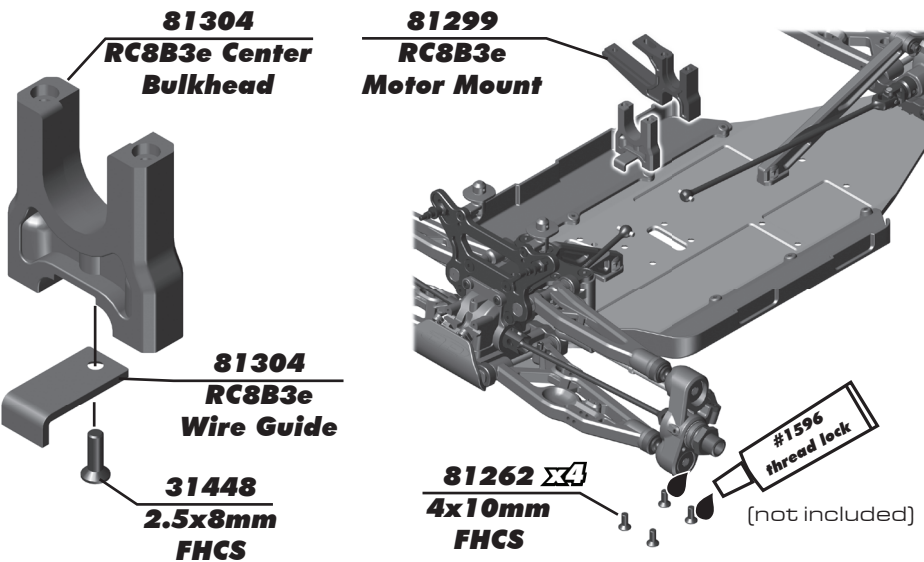
:: Rear Uprights / Turnbuckles Build - Bag K, L - Step 4



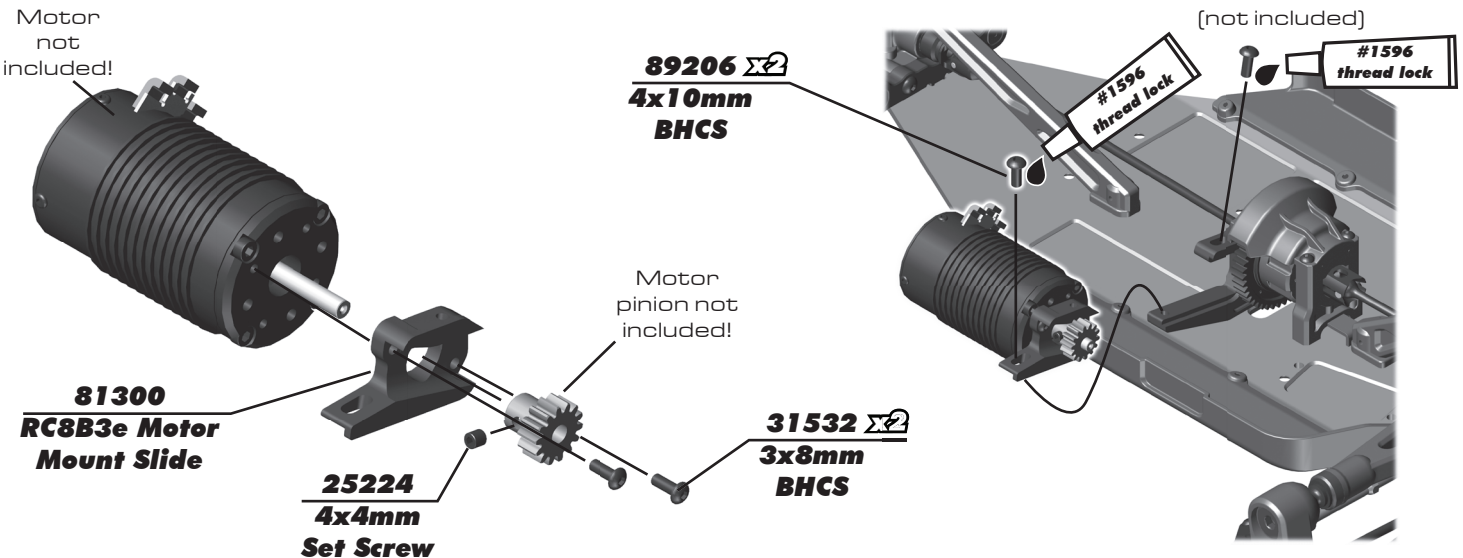
**Steering Turnbuckle
65.0mm (2.56")**




:: Center Bulkhead / Brakes Build - Bag M, N- Step 1

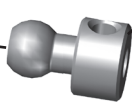



:: Center Bulkhead / Brakes Build - Bag M, N- Step 2






:: Anti-Roll Bars Build - Bag 0 - Step 1

81150  **Anti-Roll Bar Drop Link**


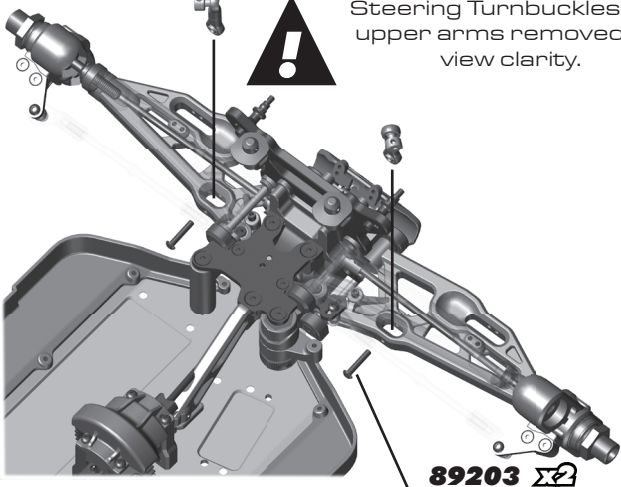
81150  **Anti-Roll Bar Pivot**

81258  **3x12mm Set Screw**


81150  **Rod End Ball**

 **Left Side**
 **Right Side**


Anti-Roll Bar Pivots:
Tighten the Anti-Roll Bar Rod Ends completely, then offset the Anti-Roll bar rod ends as seen above (approximately 45 degrees).

Steering Turnbuckles and upper arms removed for view clarity.


89203  **3x16mm BHCS**

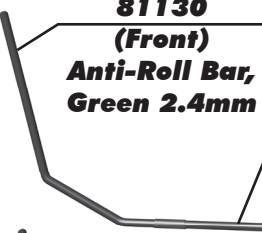
:: Anti-Roll Bars Build - Bag 0 - Step 2





Center the Anti-Roll Bar Collet on the Anti-Roll Bar, then tighten the [#25225] 3x3mm set screw.


(not included)

#1596  **thread lock**

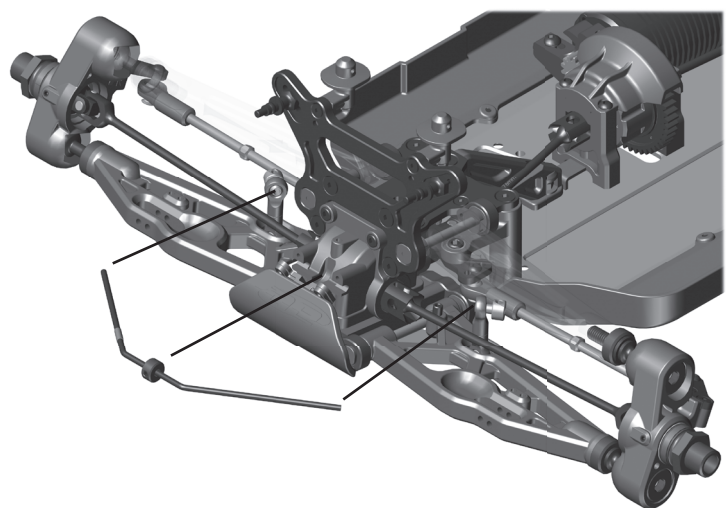
81130  **(Front) Anti-Roll Bar, Green 2.4mm**

81140  **(Rear) Anti-Roll Bar, Blue 2.7mm**

81150  **Anti-Roll Bar Collet**


25225  **3x3mm Set Screw**


Build front and rear Anti-Roll Bars





:: Anti-Roll Bars Build - Bag 0 - Step 3

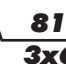
(not included)


#1596  **thread lock**

#1596  **thread lock**

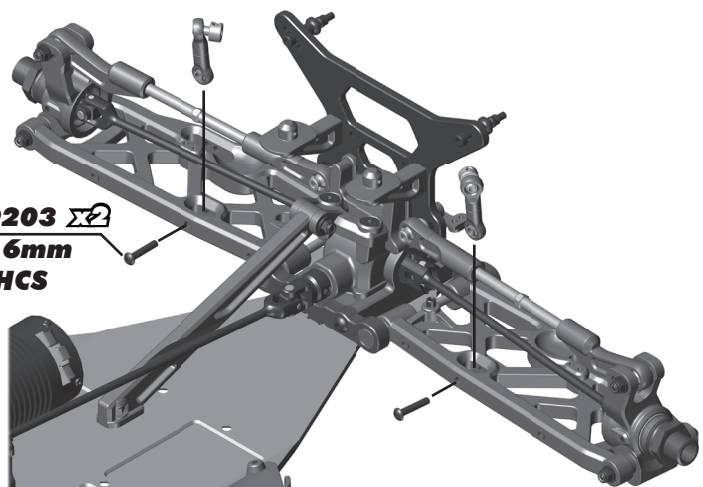
25225  **3x3mm Set Screw**

31521  **2.5x8mm BHCS**

81257  **3x6mm Set Screw**



Tighten #81257 set screws just enough to still allow the anti-roll bar to move freely.



:: Anti-Roll Bars Build - Bag 0 - Step 4

25225 $\Sigma 2$
3x3mm
Set Screw

31521 $\Sigma 2$
2.5x8mm
BHCS

81257 $\Sigma 2$
3x6mm
Set Screw

(not included)
#1596
thread lock

! Rear Hub Turnbuckles removed for view clarity.

! Tighten #81257 set screws just enough to still allow the anti-roll bar to move freely.

:: Shocks Build - Bag P, Q - Step 1

89215
Shock
Piston
Locknut

81200
Shock
Piston
(6x1.3 flat)

89278 $\Sigma 2$
2.5mm
Washer

81172
Shock Shaft,
33.5mm
(Front)

81173
Shock Shaft,
42.5mm
(Rear)

81160
Shock Body,
30.5mm
(Front)

81161
Shock Body,
39.5mm
(Rear)

81185
Shock Body
O-Ring

81185
O-Ring Hat
Bushing

81188
Shock Body
Seal
Retainer

81186 $\Sigma 2$
Shock
O-Ring

81185
O-Ring
Spacer

81191
Shock
Boots

81193
Shock
Rod End
and Ball

Racer's Tip:
Use shock fluid or green slime (#1105) to lube the O-Rings before installation! (not included)

:: Shocks Build - Bag P, Q - Step 2

81181
Shock Cap
Insert

81180
Shock Cap

81182
Shock
Bladder

! When installing the shock bladder, make sure it is correctly seated within the shock cap as shown.

shock fluid

Front Shock Fluid:
37.5wt #5433

Rear Shock Fluid:
30wt #5422

:: Shocks Build - Bag P, Q - Step 3

!
Leave a gap when installing the shock cap.



!
Compress shock shaft half way. Let shock fluid bleed from cap, then tighten cap.

For less rebound, compress shock shaft farther before tightening the shock cap.

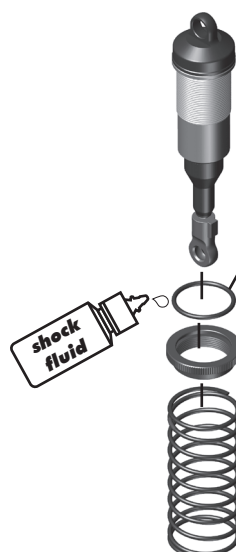
For more rebound, do not compress shock shaft as far before tightening the shock cap.



!
Some residual shock fluid may appear from your first few runs around the shock cap as a result of bleeding.

:: Shocks Build - Bag P, Q - Step 4

!
The shock springs come with colored heat shrink tubing. Install them on the springs for easy identification.



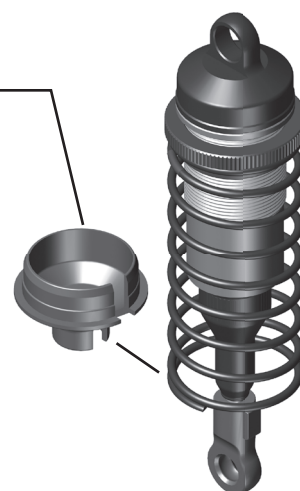
81185 Shock Spring Collar O-Ring

81183 Shock Spring Collar

81214 Front Spring, Blue (5.0lb/in)

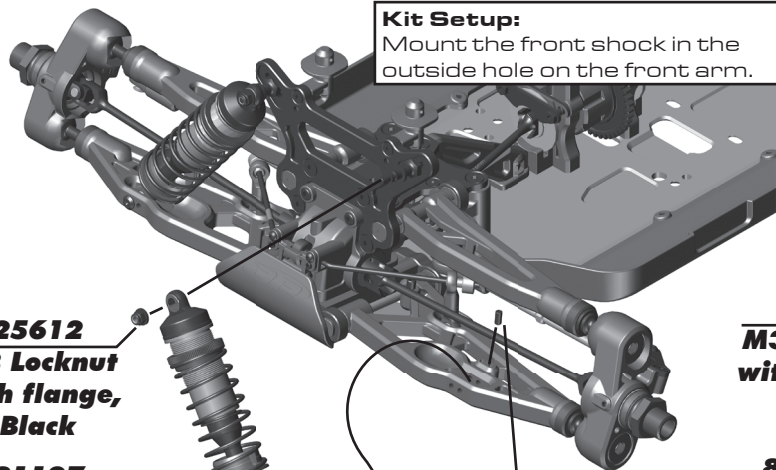
81219 Rear Spring, Blue (4.3lb/in)

81193 Spring Cup



:: Shocks Build - Bag P, Q - Step 5

Kit Setup:
Mount the front shock in the outside hole on the front arm.

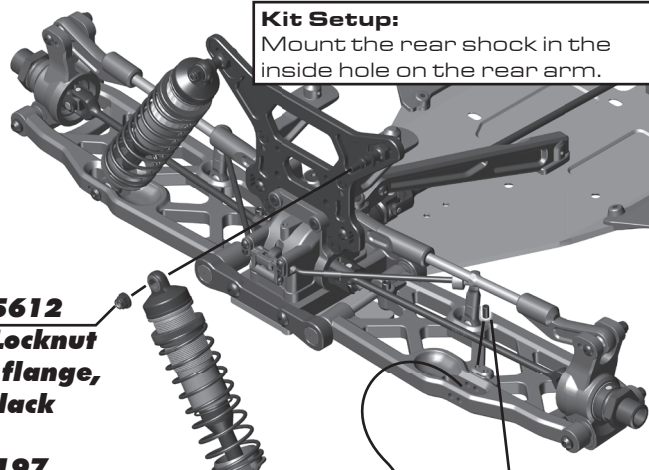


25612 M3 Locknut with flange, Black

81197 Shock Pin

81257 3x6mm Set Screw

Kit Setup:
Mount the rear shock in the inside hole on the rear arm.

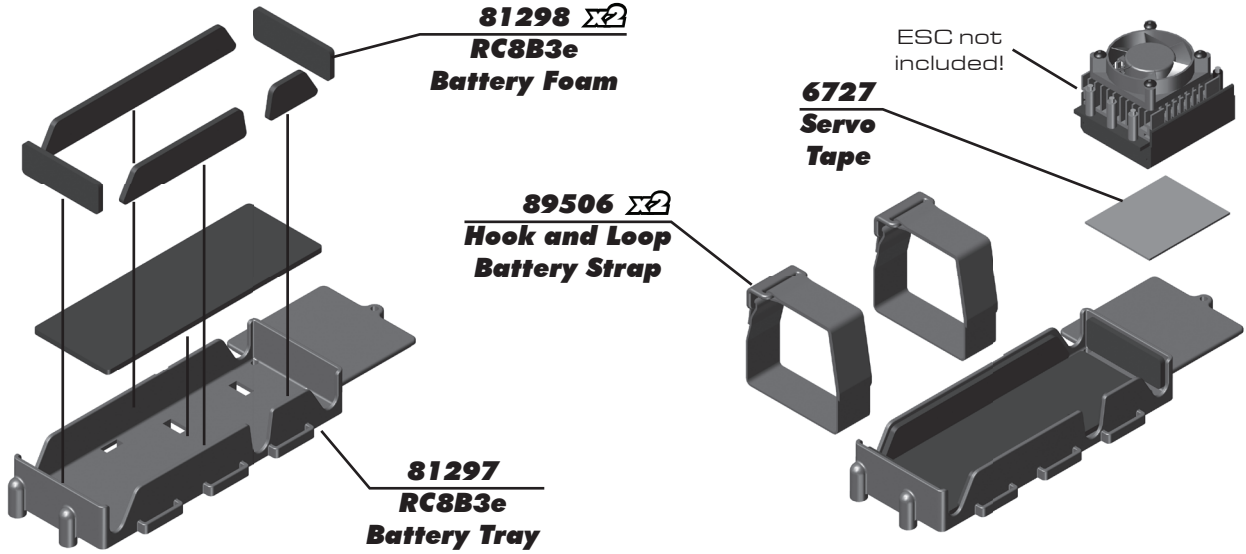


25612 M3 Locknut with flange, Black

81197 Shock Pin

81257 3x6mm Set Screw

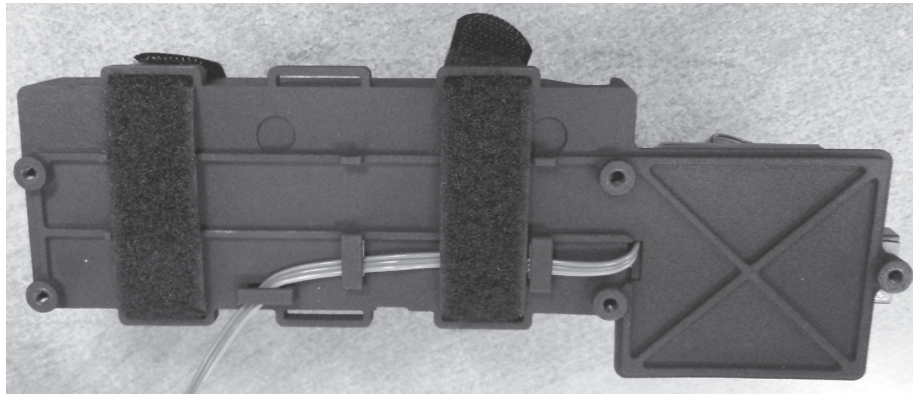
:: Battery Tray Build - Bag R - Step 1



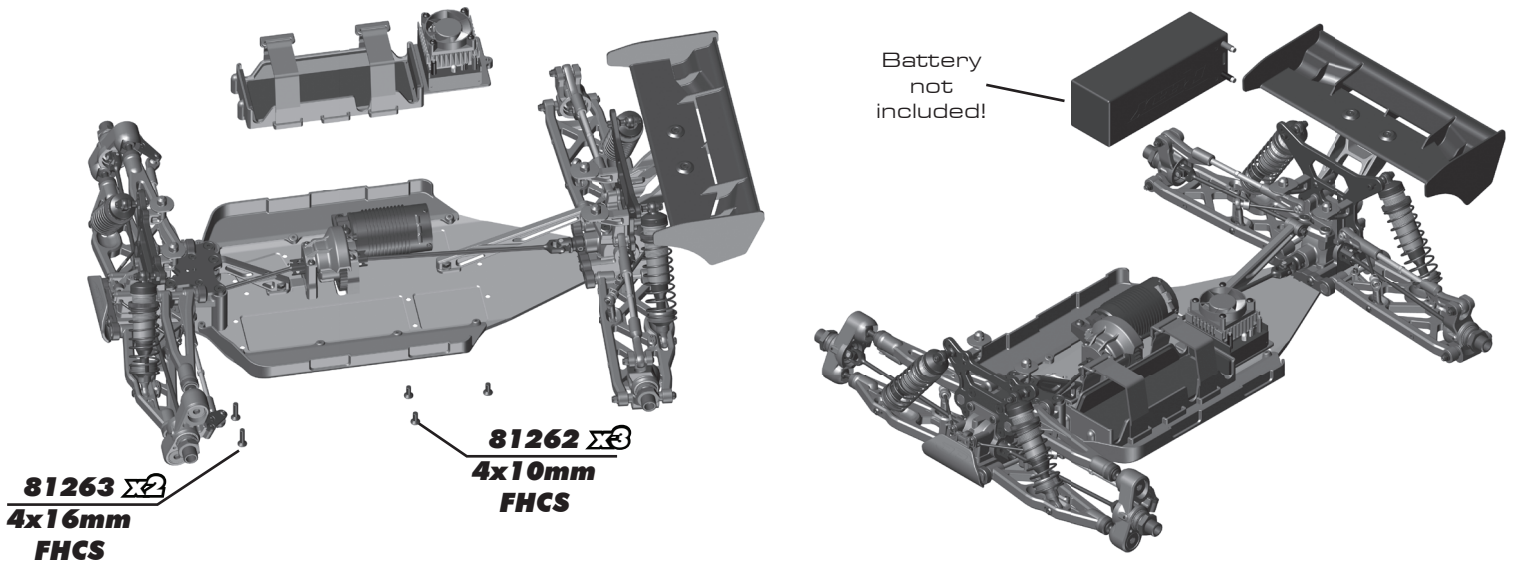
:: Battery Tray Build - Bag R - Step 2



Install the ESC wire as shown first.
Then run the hook and loop straps
as shown.



:: Radio Tray Build - Bag R - Step 3



:: Receiver Box / Linkage Build - Bag S - Step 1

25187 X4
3x14mm
BHCS

89218 X4
3x8mm
Washer

9907
Grommet
Plug

9907
Receiver
Box
Grommet

Servo not included!

When spacing your servos, make sure the servo does not touch the chassis when installed.

89023 X2
Servo
Spacer

81303
Receiver
Box

Receiver not included!

6727 X2
Servo
Tape

Transponder not included!

81262 X2
4x10mm
FHCS

:: Receiver Box / Linkage Build - Bag S - Step 2

91048
HD Ballstud,
8mm

1409
FT Turnbuckle,
25.5mm (1.00")

91453 X2
HD Ball
Cups

91050
HD Ballstud,
12mm

81250
Servo Horn
(Steering)
and Cone
Washer

25215
M3 Locknut,
Black

81250
Servo Horn Insert

81250
Servo Horn
Large Ring

Printed here
A - Airtronics
F - Futaba
H - Hitec
J - JR/KO

Steering Servo Turnbuckle
11.5mm (0.45")

:: Receiver Box / Linkage Build - Bag S - Step 3

25225
3x3mm
Set Screw

31448 X3
2.5x8mm
FHCS

6338
Antenna
Tube and
Cap

81303
Receiver
Box Lid

(not included)

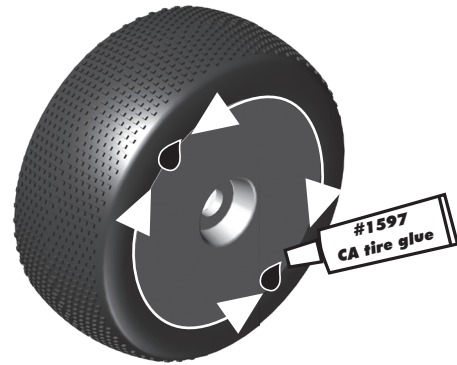
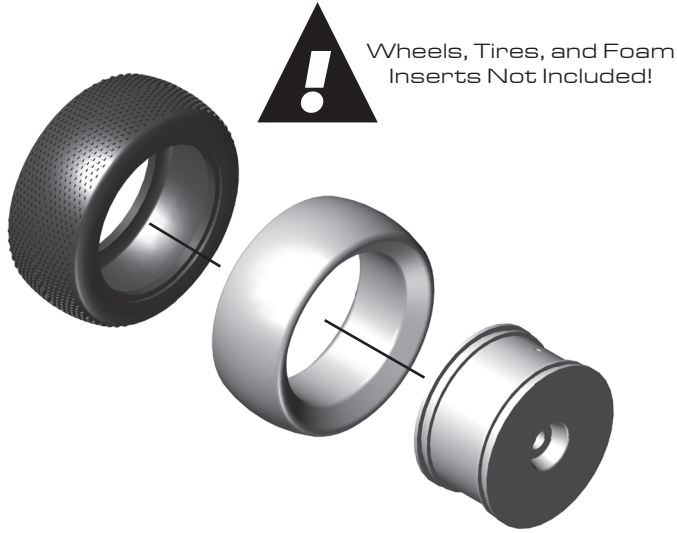
25201
3x8mm
FHCS

4617
2mm
Shim

#1596
thread lock

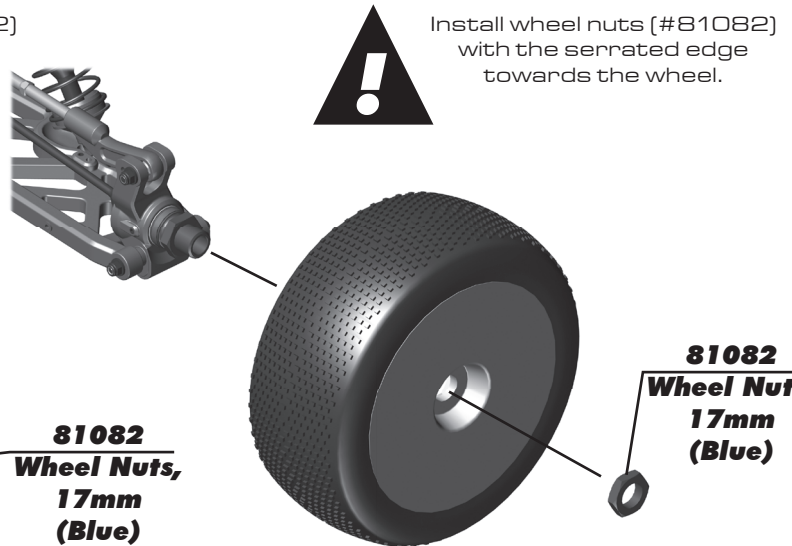
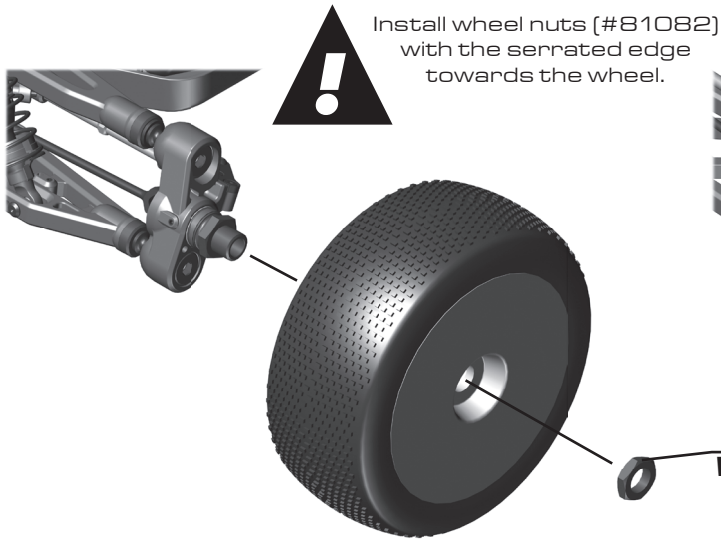
Racer's Tip:
Center servo
before horn
installation!

:: Wheels / Tires / Body - Misc. - Step 1

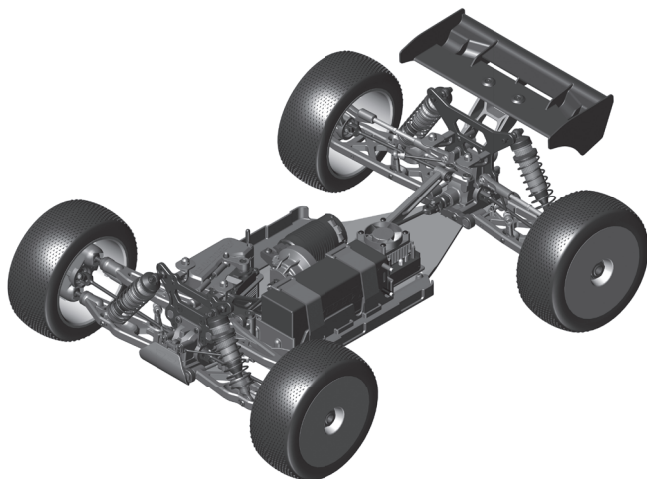


Tires:
When gluing tires to wheels, use a fast-curing tire glue [CA] [AE # 1597]. This is available at your local hobby shop. Make sure to clean the mounting surface of the tire and wheel with alcohol for best adhesion.

:: Wheels / Tires / Body - Misc. - Step 2



:: Wheels / Tires / Body - Misc. - Step 3



Painting Tips:

Your new kit comes with a clear polycarbonate body. You will need to prep the body before you can paint it. Wash the inside thoroughly with warm water and liquid detergent. Dry the body using a clean, soft, lint-free cloth. Install the window masks on the inside of the body (RC car bodies get painted on the inside). If creating a design, using high quality masking tape, apply tape to the inside of the body to create a design. Spray (either rattle can or airbrush R/C specific paint) the paint to the inside of the body (preferably dark colors first, lighter colors last).

NOTE: use ONLY paint that is recommended for use with (polycarbonate) plastics. If you do not, you can destroy the polycarbonate body!!!

After painting, cut the body along the trim lines. Make sure to drill or use a body reamer to make the holes for the body mounts and antenna!

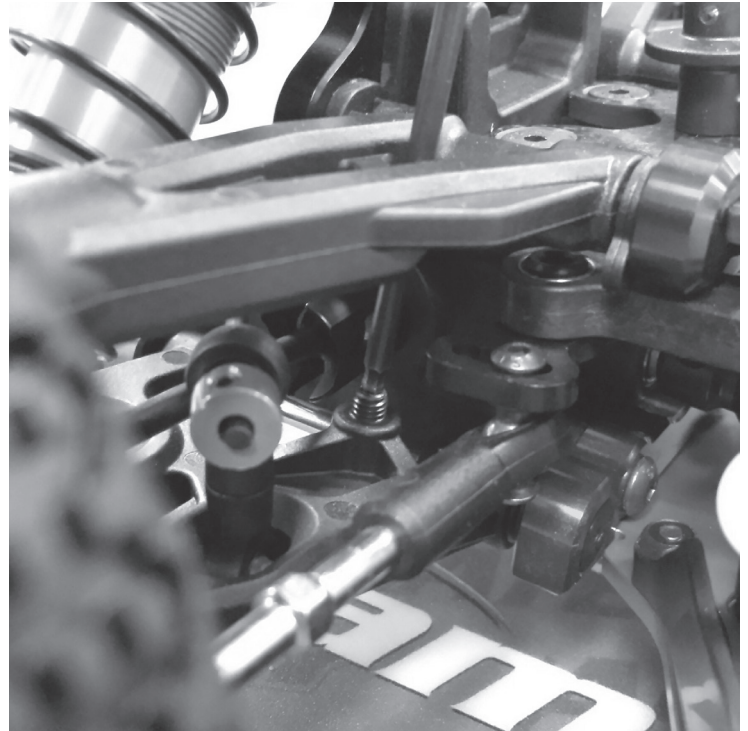
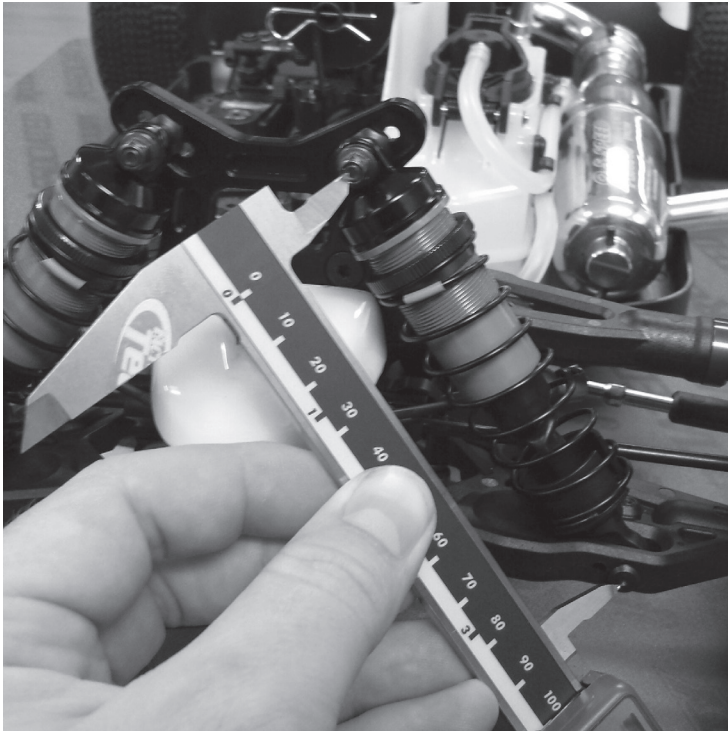
:: Droop Settings

Set droop by measuring overall length of shock (from standoff to shock pin) while the chassis is elevated above your working surface. The shocks should be fully extended.

Kit setup for front droop is 104mm shock length, and 124mm shock length for the rear.

If the shock length is too long, adjust by turning the droop screws clockwise.

If the shock length is too short, adjust by turning the droop screws counter-clockwise.



Front Droop: Increasing front droop (loosen droop screws) will increase off-throttle steering. It also allows the front end to lift more, giving more rear grip and less front grip on-power. Remember to never loosen the screws beyond the FULL DROOP setting. Decreasing front droop (tighten droop screws) yields more on-power steering and quicker response at the expense of some stability in bumpy sections. It will also give less off-throttle steering.

Rear Droop: Increasing rear droop (loosen droop screws) will increase traction in bumpy sections, but will reduce high-speed stability. Remember to never loosen the screws beyond the FULL DROOP setting. Decreasing rear droop (tighten droop screws) will increase stability in high speed sections, but will reduce stability in bumpy sections.

Setup Sheets:

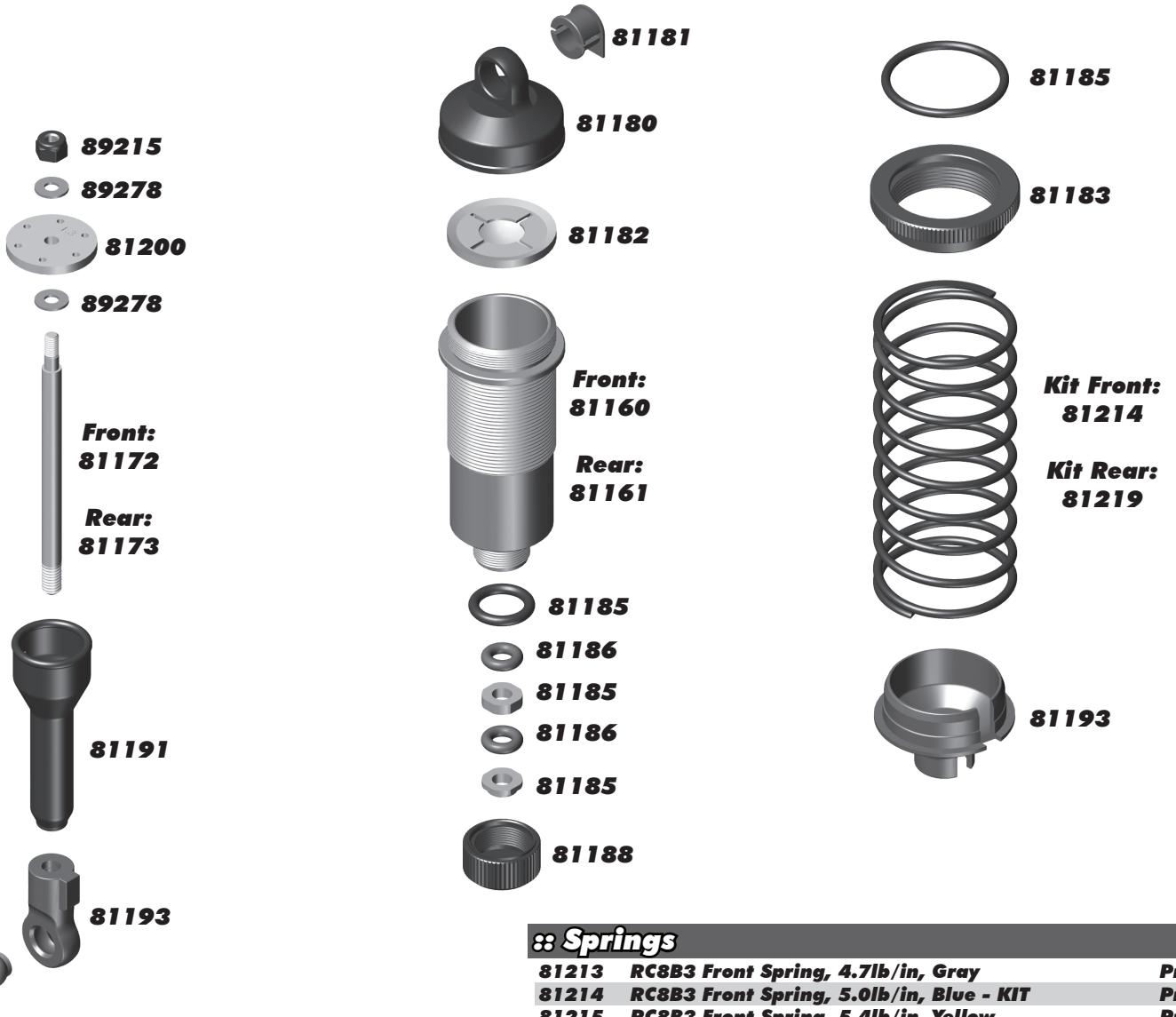
Most often the best way to get your car handling right is to go to our website www.rc10.com and click on the "Setup Sheets" link, then the link to your vehicle, then search for your vehicle. Our team of professional drivers help develop these setups at National events. Also, most drivers have a "base" setup that they use as a starting point for every event. Try running some of our base setups OR look for track conditions and tires that are similar to your local track and mimic that setup. Remember, each adjustment has a purpose, so copy everything from the setup sheet and then make adjustments based on the recommendations in here at <http://www.rc10.com/rc/tuning>.

:: Shocks

81156	RC8B3 Shock Kit (Front)	1
	- Requires #81172, 81191	
81157	RC8B3 Shock Kit (Rear)	1
	- Requires #81173, 81191	
81160	RC8B3 Shock Body, 30.5mm	2
81161	RC8B3 Shock Body, 39.5mm	2
81172	RC8T3 Shock Shaft, 33.5mm (TiN)	2
81173	RC8T3 Shock Shaft, 42.5mm (TiN)	2
81180	RC8B3 Shock Cap	2
81181	RC8B3 Shock Cap Insert	2
81182	RC8B3 Shock Bladder	2
81183	RC8B3 Spring Collar	2
81185	RC8B3 Shock Rebuild Kit	2
81186	RC8B3 Shock O-Ring	8
81188	RC8B3 Shock Body Seal Retainer	2
81191	RC8T3 Shock Boots	4
81193	RC8B3 Shock Rod End & Spring Cup	2
81200	RC8B3 Shock Pistons (6x1.3 - KIT, 6x1.3 T, 8x1.2 T)	2 ea.
89215	M2.5 Locknut (silver)	10
89278	Washer, 2.5mm	20

:: Shock Fluid

5420	10 Weight Silicone Shock Fluid	2oz.
5421	20 Weight Silicone Shock Fluid	2oz.
5422	30 Weight Silicone Shock Fluid	2oz.
5423	40 Weight Silicone Shock Fluid	2oz.
5424	22.5 Weight Silicone Shock Fluid	2oz.
5425	80 Weight Silicone Shock Fluid	2oz.
5426	27.5 Weight Silicone Shock Fluid	2oz.
5427	15 Weight Silicone Shock Fluid	2oz.
5428	25 Weight Silicone Shock Fluid	2oz.
5429	35 Weight Silicone Shock Fluid	2oz.
5430	45 Weight Silicone Shock Fluid	2oz.
5431	55 Weight Silicone Shock Fluid	2oz.
5432	32.5 Weight Silicone Shock Fluid	2oz.
5433	37.5 Weight Silicone Shock Fluid	2oz.
5434	42.5 Weight Silicone Shock Fluid	2oz.
5435	50 Weight Silicone Shock Fluid	2oz.
5436	60 Weight Silicone Shock Fluid	2oz.
5437	70 Weight Silicone Shock Fluid	2oz.
5438	47.5 Weight Silicone Shock Fluid	2oz.

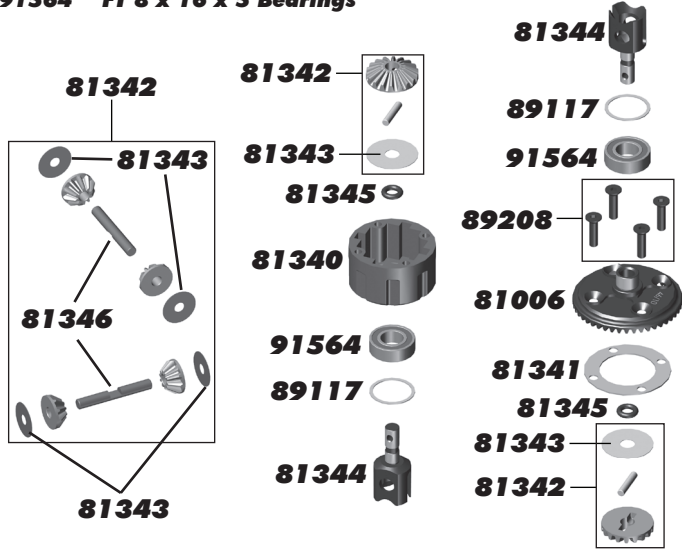


:: Springs

81213	RC8B3 Front Spring, 4.7lb/in, Gray	Pr.
81214	RC8B3 Front Spring, 5.0lb/in, Blue - KIT	Pr.
81215	RC8B3 Front Spring, 5.4lb/in, Yellow	Pr.
81218	RC8B3 Rear Spring, 4.1lb/in, Gray	Pr.
81219	RC8B3 Rear Spring, 4.3lb/in, Blue - KIT	Pr.
81220	RC8B3 Rear Spring, 4.6lb/in, Yellow	Pr.

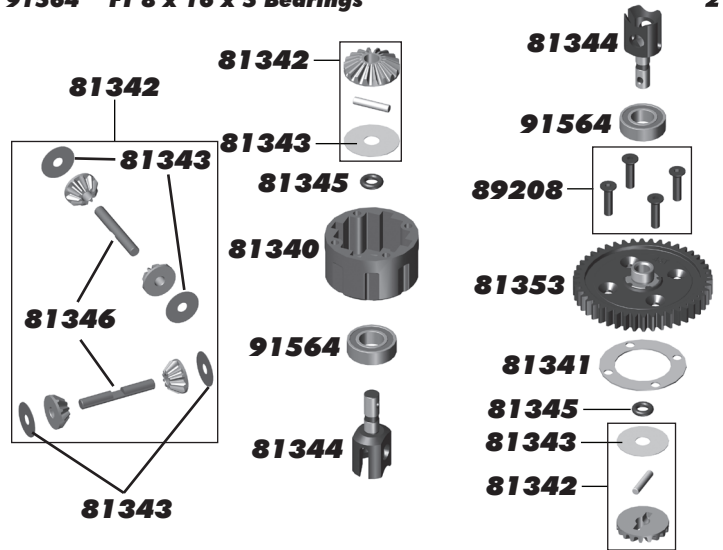
:: Front / Rear Gear Differential

81006	Diff Ring Gear (46T), V2 - Kit	1
81010	Diff Ring Gear (44T), V2	1
81340	Diff Case, V2	1
81341	Diff Case Gasket, V2	4
81342	Diff Sun/Planet Gears, Includes Washers and Pins, V2, Set	1
81343	Internal Diff Shims, V2 - Set	1
81344	Diff Outdrives, V2	2
81345	Diff O-Ring, V2	6
81346	Diff Cross Pin, V2	2
81360	Complete Diff, V2 FR/RR (T3/T3e)	1
89117	Diff Shims	8
89208	3 x 14mm FHCS	10
91564	FT 8 x 16 x 5 Bearings	2



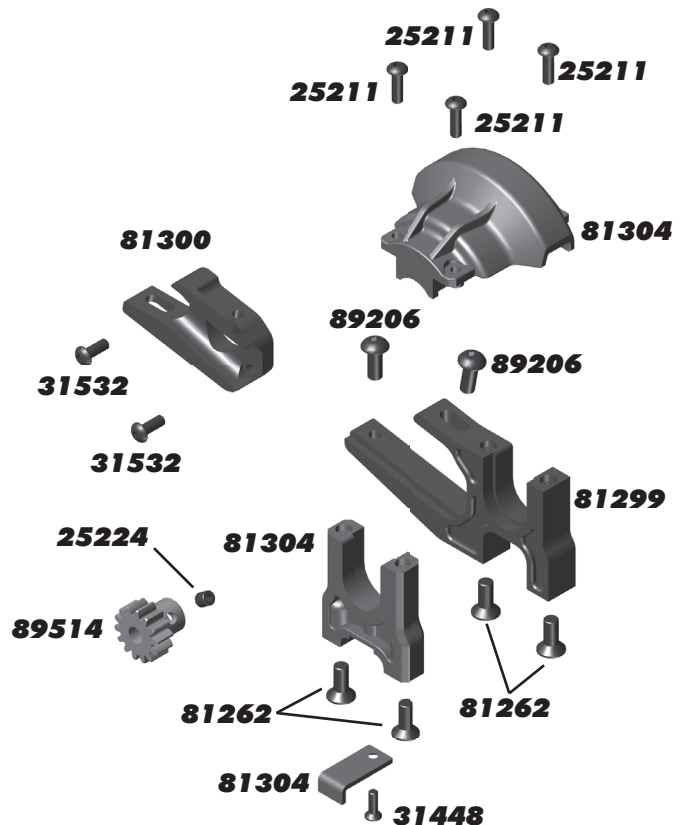
:: Center Gear Differential

81340	Diff Case, V2	1
81341	Diff Case Gasket, V2	4
81342	Diff Sun/Planet Gears, Includes Washers and Pins, V2, Set	1
81343	Internal Diff Shims, V2 - Set	1
81344	Diff Outdrives, V2	2
81345	Diff O-Ring, V2	6
81346	Diff Cross Pin, V2	2
81353	Spur Gear (46T), V2 - Kit	1
81354	Spur Gear (47T), V2	1
81355	Spur Gear (48T), V2	1
81359	Complete Center Diff, V2 - Electric	1
89208	3 x 14mm FHCS	10
91564	FT 8 x 16 x 5 Bearings	2



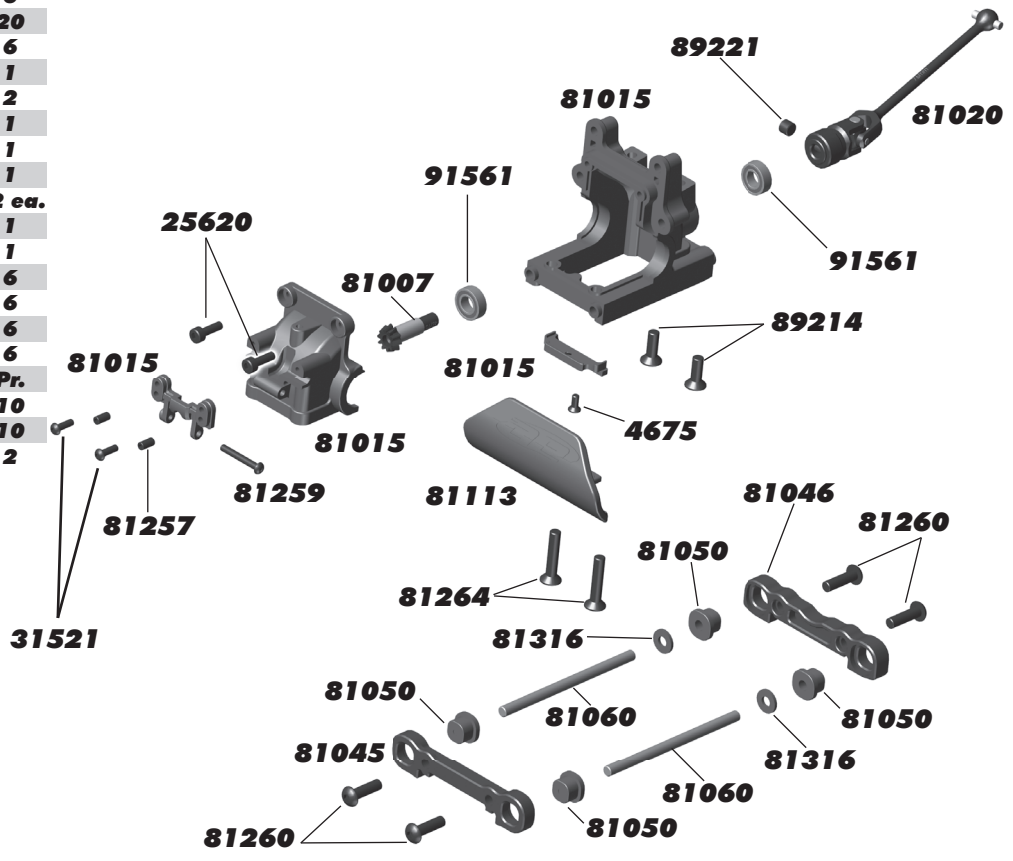
:: Center Bulkhead

25211	3 x 10mm BHCS	20
25224	M4 x 4mm Set Screw	20
31448	2.5 x 8mm FHCS	6
31532	3 x 8mm BHCS	6
81262	4 x 10mm FHCS	6
81299	RC8B3e Motor Mount	1
81300	RC8B3e Motor Mount Slide	1
81304	RC8B3e Center Bulkhead / Cover / Guide	1
89206	4 x 10mm BHCS	10
89512	Pinion, 12T	1
89513	Pinion, 13T	1
89514	Pinion, 14T - Kit	1
89515	Pinion, 15T	1
89516	Pinion, 16T	1
89517	Pinion, 17T	1
89593	Pinion, 18T	1
89594	Pinion, 19T	1
89595	Pinion, 20T	1



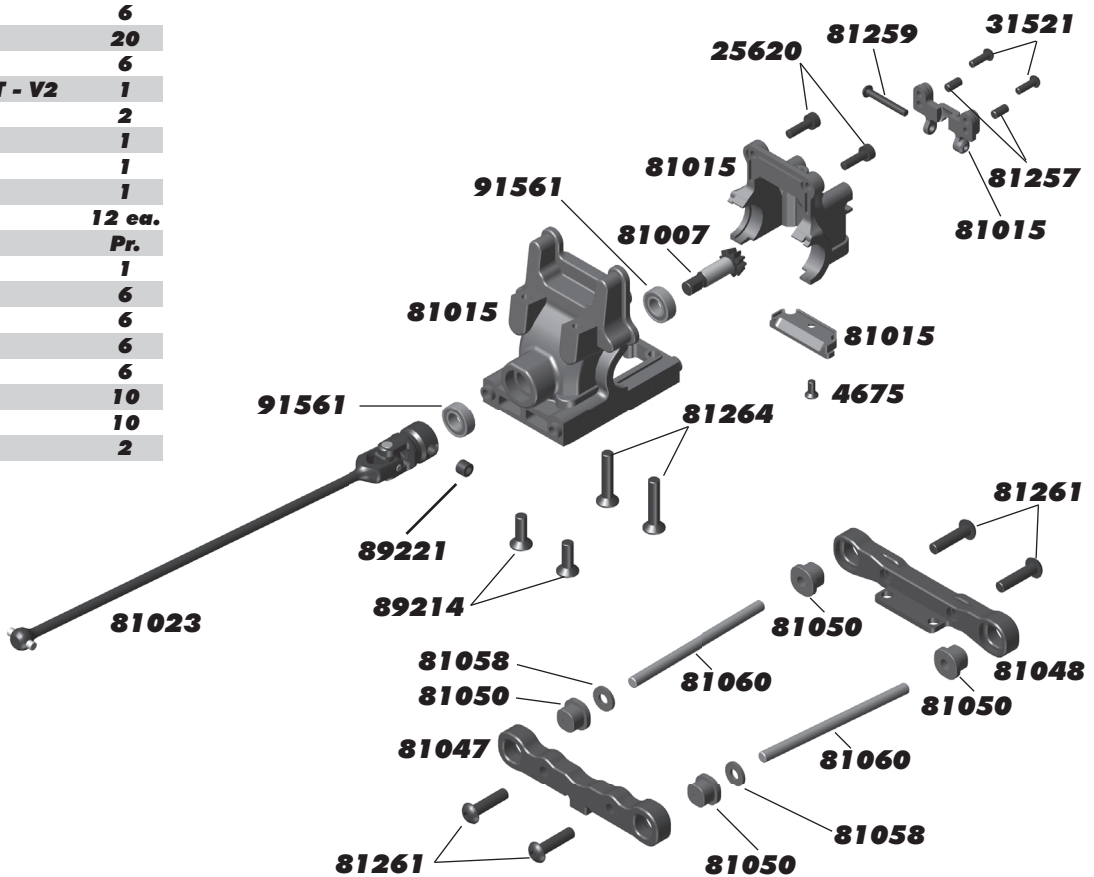
:: Front Gearbox

4675	2.5 x 6mm FHCS	6
25620	3 x 10mm SHCS	20
31521	2.5 x 8mm BHCS	6
81007	RC8B3 Diff Pinion Gear, 10T - V2	1
81015	RC8B3 Gearbox	2
81020	RC8B3 Center Universal, 76mm	1
81045	RC8B3 Arm Mount, A	1
81046	RC8B3 Arm Mount, B	1
81050	RC8B3 Arm Mount Insert	12 ea.
81060	RC8B3 Hinge Pin Set	1
81113	RC8B3 Front Bumper	1
81257	3 x 6mm Set Screw	6
81259	2.5 x 18mm BHCS	6
81260	4 x 14mm BHCS	6
81264	4 x 20mm FHCS	6
81316	RC8T3 Front Arm and Shims	Pr.
89214	4 x 12mm FHCS	10
89221	5 x 4mm Set Screw	10
91561	FT Bearing, 6 x 12 x 4mm	2



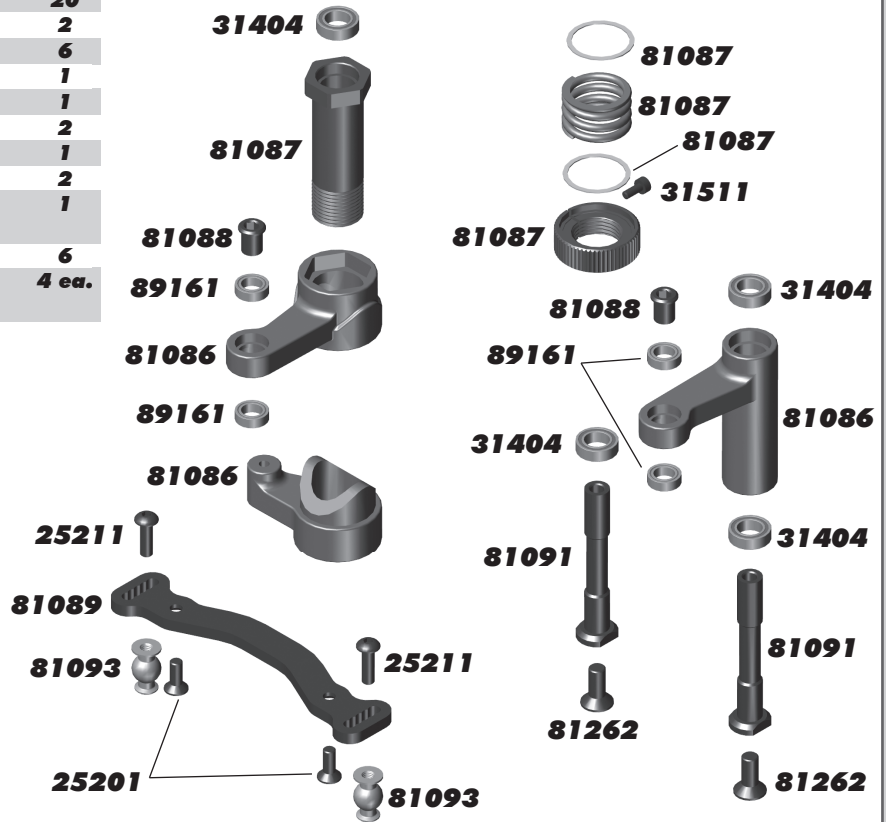
:: Rear Gearbox

4675	2.5 x 6mm FHCS	6
25620	3 x 10mm SHCS	20
31521	2.5 x 8mm BHCS	6
81007	RC8B3 Diff Pinion Gear, 10T - V2	1
81015	RC8B3 Gearbox	2
81023	Center Universal, 165mm	1
81047	RC8B3 Arm Mount, C	1
81048	RC8B3 Arm Mount, D	1
81050	RC8B3 Arm Mount Insert	12 ea.
81058	RC8B3 Rear Arm	Pr.
81060	RC8B3 Hinge Pin Set	1
81257	3 x 6mm Set Screw	6
81259	2.5 x 18mm BHCS	6
81261	4 x 16mm BHCS	6
81264	4 x 20mm FHCS	6
89214	4 x 12mm FHCS	10
89221	5 x 4mm Set Screw	10
91561	FT Bearing, 6 x 12 x 4mm	2



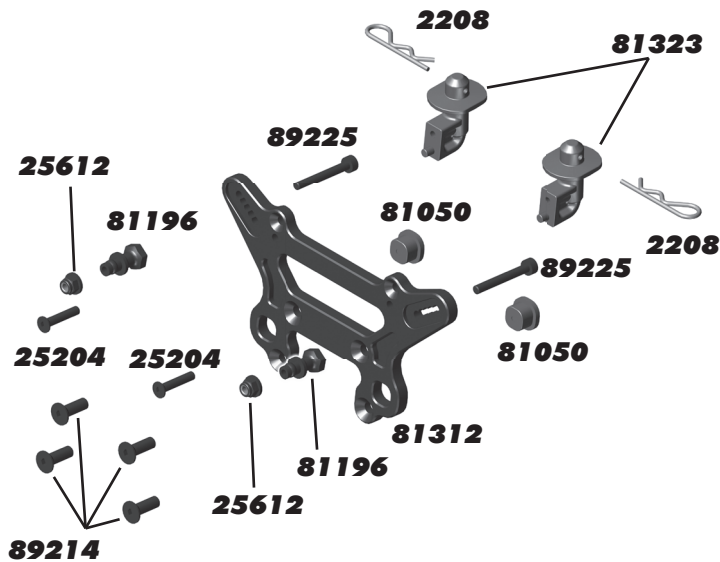
:: Steering

25201	3 x 8mm FHCS	20
25211	3 x 10mm BHCS	20
31404	Bearing, 6 x 10 x 3mm	2
31511	2 x 5mm SHCS	6
81086	RC8B3 Steering Bellcrank	1
81087	RC8B3 Servo Saver Tube	1
81088	RC8B3 Steering Bellcrank Nut	2
81089	RC8B3 Steering Rack	1
81091	RC8B3 Steering Post	2
81093	RC8B3 Rod End, 4mm (4 ball joints, 2 rod ends, 2 offset rod ends)	1
81262	4 x 10mm FHCS	6
89161	FT Steering Bearing Set, 5 x 8 x 2.5mm & 6 x 10 x 3mm	4 ea.



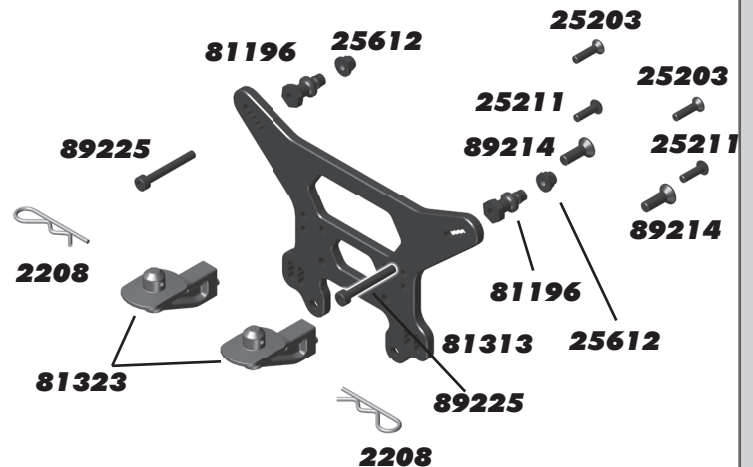
:: Front Shock Tower

2208	Large Hood Pins	6
25204	3 x 16mm FHCS	20
25612	M3 Locknut with Flange, Black	20
81050	RC8B3 Arm Mount Inserts	12 ea.
81196	RC8B3 Shock Bushing	4
81312	RC8T3 Shock Tower, Front	1
81323	RC8T3 Body Posts, Set	1
89214	4 x 12mm FHCS	10
89225	3 x 24mm SHCS	10



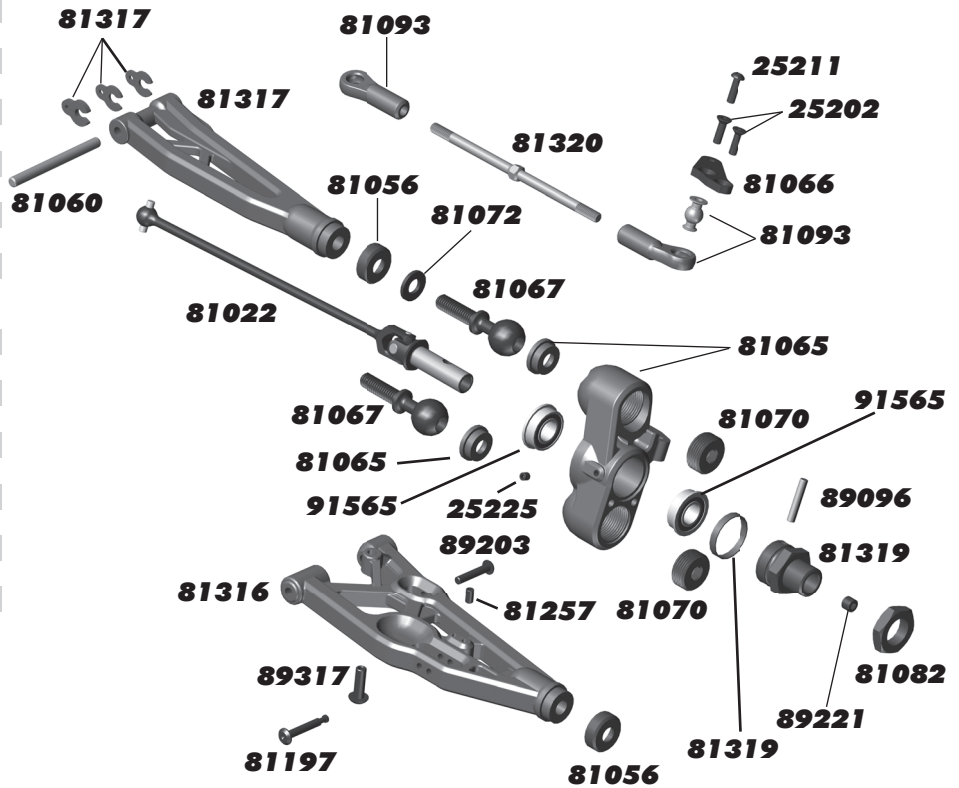
:: Rear Shock Tower

2208	Large Hood Pins	6
25203	3 x 12mm FHCS	20
25211	3 x 10mm BHCS	20
25612	M3 Locknut with Flange, Black	20
81196	RC8B3 Shock Bushing	4
81313	RC8T3 Shock Tower, Rear	1
81323	RC8T3 Body Posts, Set	1
89214	4 x 12mm FHCS	10
89225	3 x 24mm SHCS	10



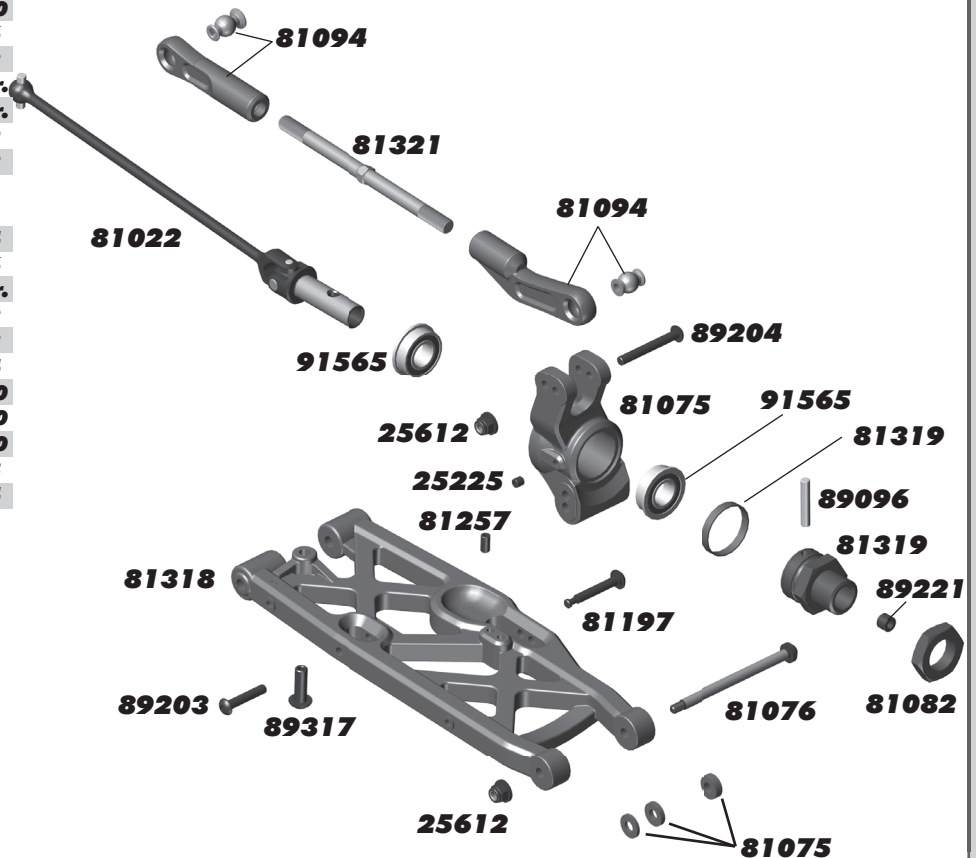
:: Front Suspension

25202	3 x 10mm FHCS	20
25211	3 x 10mm BHCS	20
25225	3 x 3mm Set Screw	20
81022	RC8T3 Universal, 131mm	2
81056	RC8B3 Suspension Arm Endcap	4
81060	RC8B3 Hinge Pin Set	1
81065	RC8B3 Steering Block	Pr.
81066	RC8B3 Steering Block Arm	2
81067	RC8B3 Pillow Ball	2
81070	RC8B3 Pillow Ball Nut	4
81072	RC8B3 Pillow Ball Shim	6
81082	RC8B3 Wheel Nuts, 17mm Blue	2
81093	RC8B3 Rod End, 4mm (4 ball joints, 2 rod ends, 2 offset rod ends)	1
81197	RC8B3 Shock Pin	4
81257	3 x 6mm Set Screw	6
81316	RC8T3 Front Arm and Shims	Pr.
81317	RC8T3 Front Upper Arms and Clips	Pr.
81319	17mm Hex Drives, 11.5mm Offset	2
81320	4 x 85mm Turnbuckle	2
89096	Wheel Hex Pin	4
89203	3 x 16mm BHCS	10
89221	5 x 4mm Set Screw	10
89317	Droop Screw	8
91565	FT Flanged Bearing, 8 x 16 x 5	4



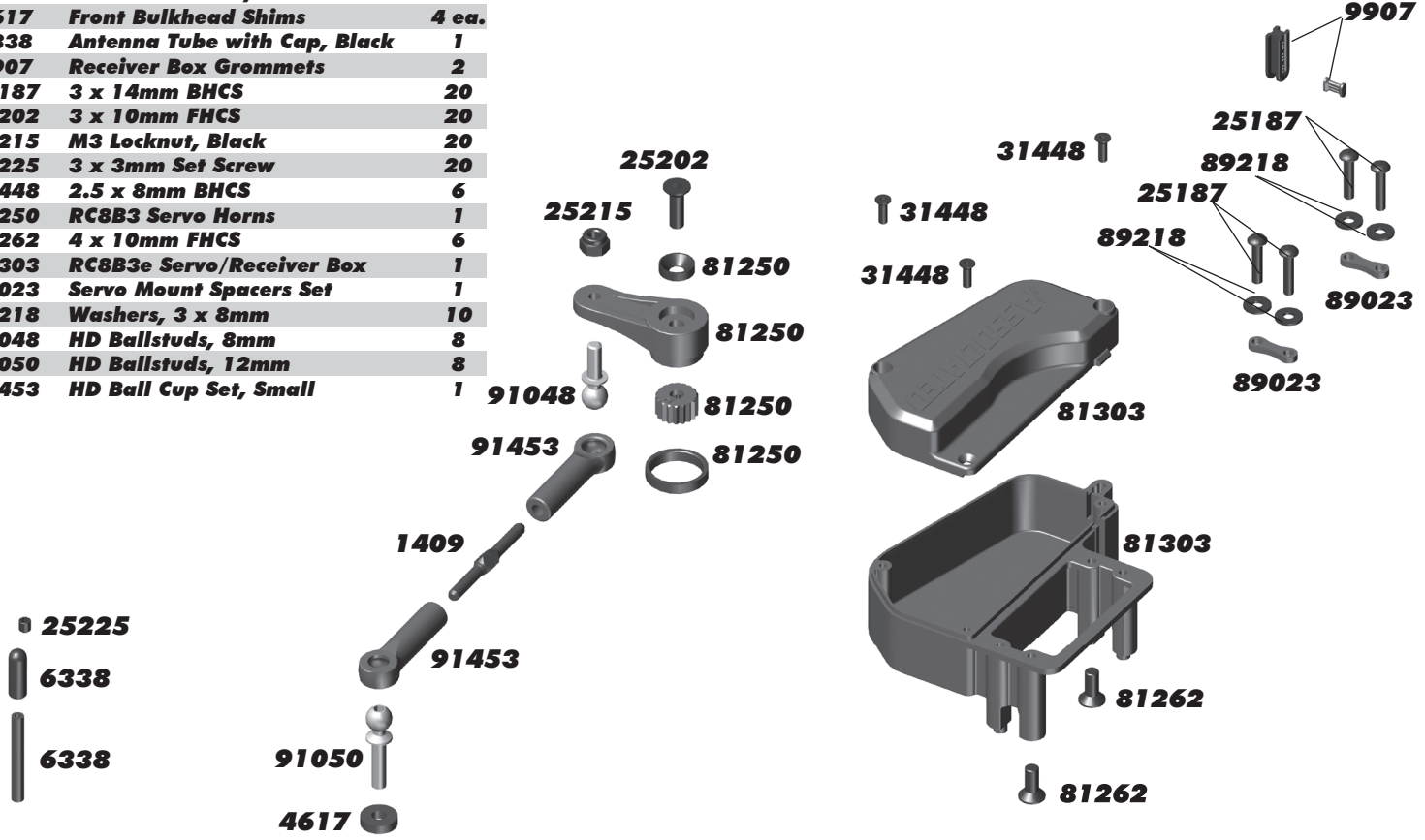
:: Rear Suspension

25225	3 x 3mm Set Screw	20
25612	M3 Locknut with Flange, Black	20
31531	3 x 6mm BHCS	6
81022	RC8T3 Universal, 131mm	2
81059	RC8B3 Rear Arm Mud Guard	Pr.
81075	RC8B3 Rear Hub	Pr.
81076	RC8B3 Hub Hinge Pin	2
81082	RC8B3 Wheel Nuts, 17mm Blue	2
81094	RC8B3 Rod End, 5mm (4 ball joints, 2 rod ends, 2 offset rod ends)	1
81197	RC8B3 Shock Pin	4
81257	3 x 6mm Set Screw	6
81318	RC8T3 Rear Arms	Pr.
81319	17mm Hex Drives, 11.5mm Offset	2
81321	Turnbuckle, 5 x 80mm	2
89096	Wheel Hex Pin	4
89203	3 x 16mm BHCS	10
89204	3 x 24mm BHCS	10
89221	5 x 4mm Set Screw	10
89317	Droop Screw	8
91565	FT Flanged Bearing, 8 x 16 x 5	4



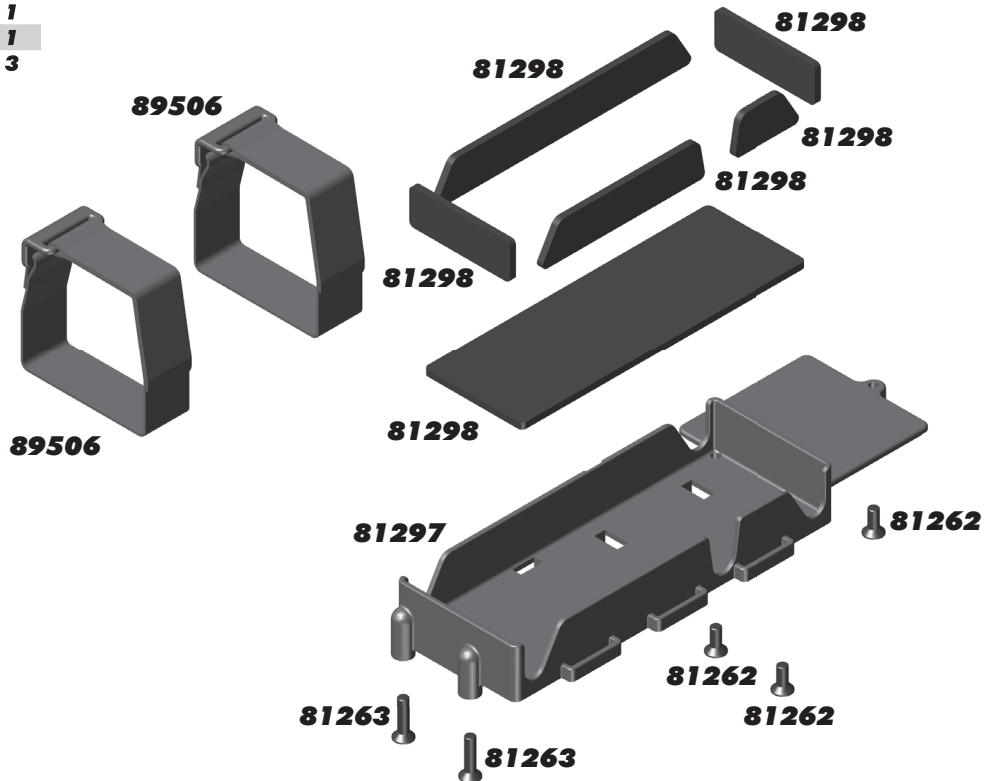
:: Radio Tray / Servo Linkage

1409	FT Ti Turnbuckle, 25.5mm	2
4617	Front Bulkhead Shims	4 ea.
6338	Antenna Tube with Cap, Black	1
9907	Receiver Box Grommets	2
25187	3 x 14mm BHCS	20
25202	3 x 10mm FHCS	20
25215	M3 Locknut, Black	20
25225	3 x 3mm Set Screw	20
31448	2.5 x 8mm BHCS	6
81250	RC8B3 Servo Horns	1
81262	4 x 10mm FHCS	6
81303	RC8B3e Servo/Receiver Box	1
89023	Servo Mount Spacers Set	1
89218	Washers, 3 x 8mm	10
91048	HD Ballstuds, 8mm	8
91050	HD Ballstuds, 12mm	8
91453	HD Ball Cup Set, Small	1



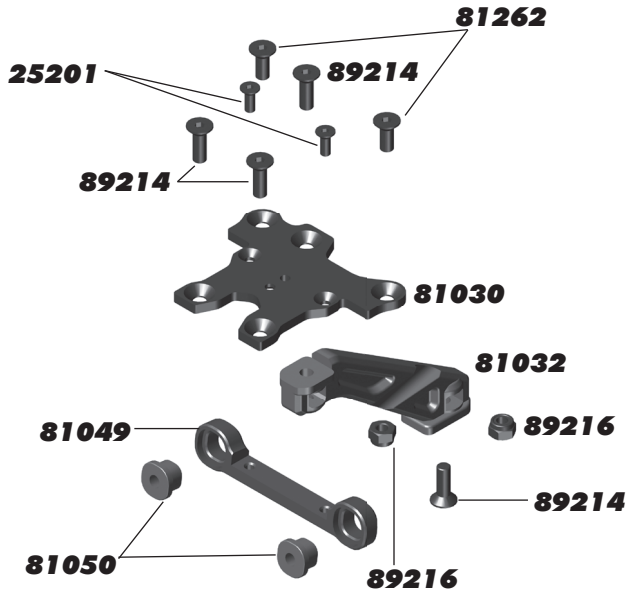
:: Battery Tray

81262	4 x 10mm FHCS	6
81263	4 x 16mm FHCS	6
81297	RC8B3e Battery Tray	1
81298	RC8B3e Battery Foams	1
89506	Hook and Loop Fastener Battery Strap	3



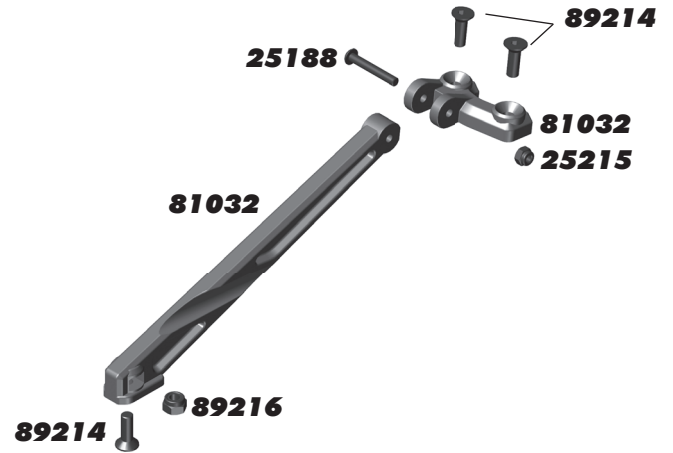
:: Front Chassis Brace

25201	3 x 8mm FHCS	20
81030	RC8B3 Top Plate	1
81032	RC8B3 Chassis Brace	Pr.
81049	RC8B3 Upper Link Mount	1
81050	RC8B3 Arm Mount Insert	12 ea.
81262	4 x 10mm FHCS	6
89214	4 x 12mm FHCS	10
89216	M4 Locknut	10



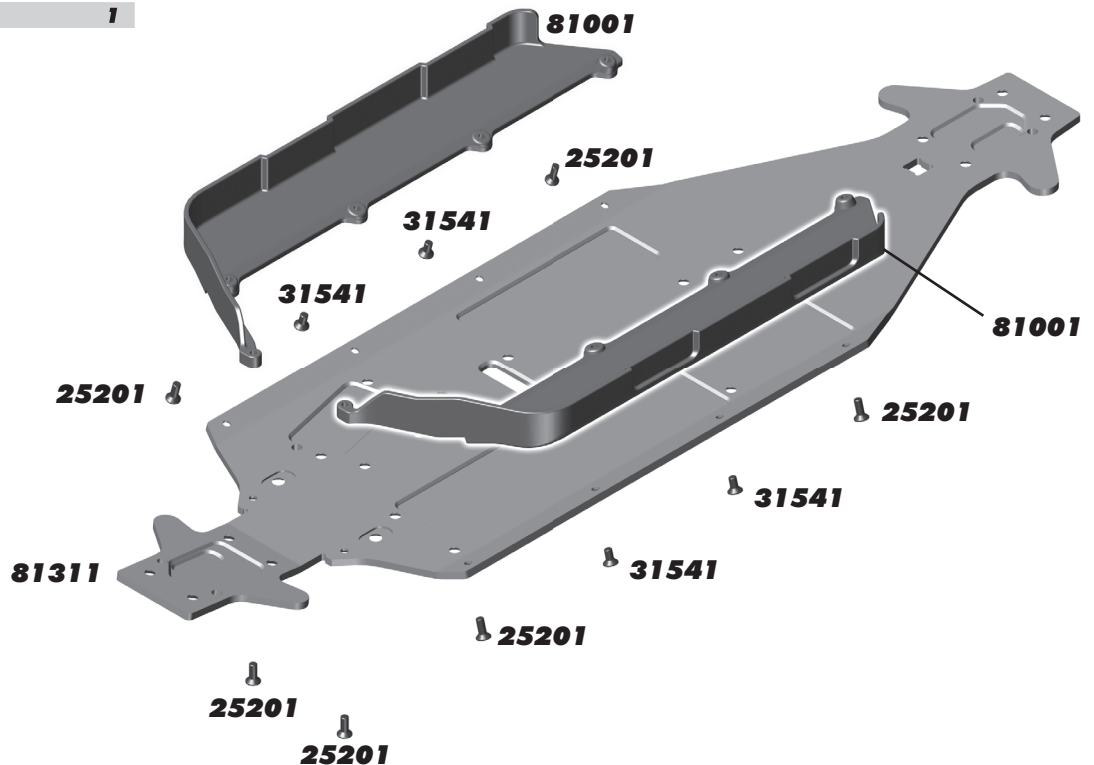
:: Rear Chassis Brace

25188	3 x 20mm BHCS	20
25215	M3 Locknut, Black	20
81032	RC8B3 Chassis Brace	Pr.
89214	4 x 12mm FHCS	10
89216	M4 Locknut	10



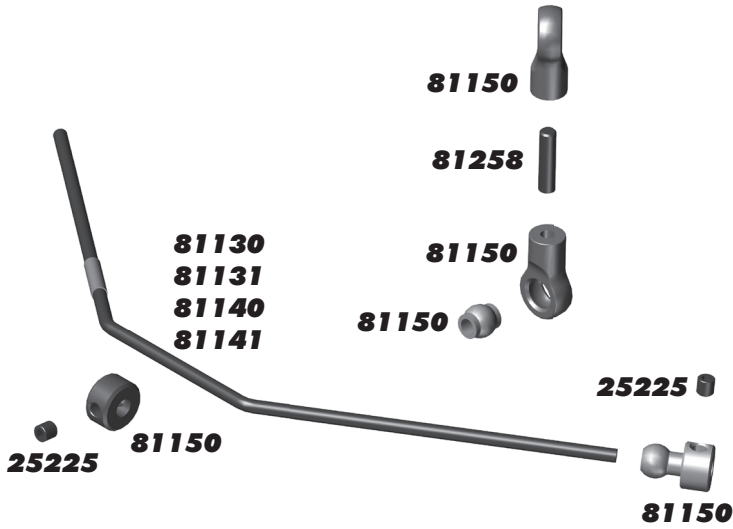
:: Chassis

25201	3 x 8mm FHCS	20
31541	3 x 6mm FHCS	6
81001	RC8B3 Side Guards	Pr.
81311	RC8T3e Chassis	1



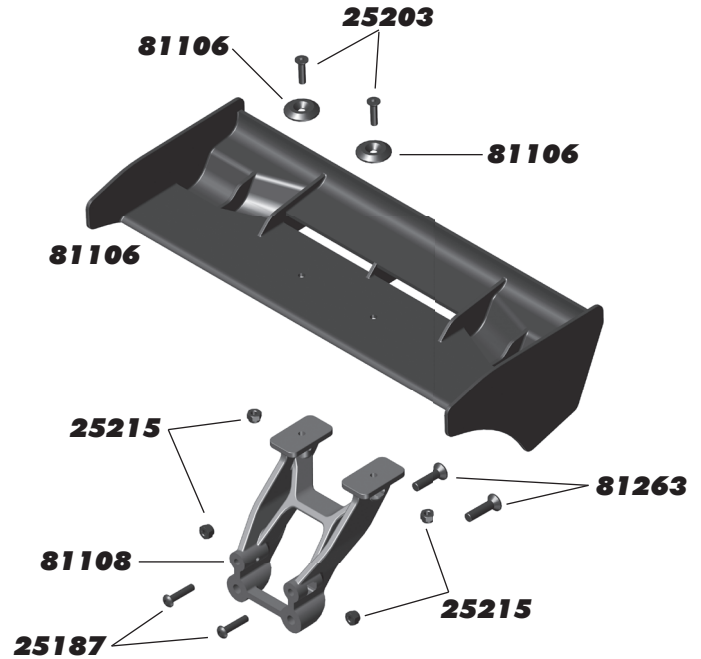
:: Anti-Roll Bars

25225	3 x 3mm Set Screw	20
81130	RC8B3 Front Anti-Roll Bars, (2.3 - Black, 2.4 - Green, 2.5 - White)	1 ea.
81131	RC8B3 Front Anti-Roll Bars, (2.6 - Gray, 2.7 - Blue, 2.8 - Yellow)	1 ea.
81140	RC8B3 Rear Anti-Roll Bars, (2.5 - White, 2.6 - Gray, 2.7 - Blue)	1 ea.
81141	RC8B3 Rear Anti-Roll Bars, (2.8 - Yellow, 2.9 - Red, 3.0 - Orange)	1 ea.
81150	RC8B3 Anti-Roll Bar Drop Link / Collet	1
81258	3 x 12mm Set Screw	6



:: Wing

25187	3 x 14mm BHCS	20
25203	3 x 12mm FHCS	20
25215	M3 Locknut, Black	20
81106	RC8B3 Wing, Black (1 wing, 2 wing buttons)	1
81108	RC8B3 Wing Mount, 1 low	1
81109	RC8B3 Wing Mount, high	1
81263	4 x 16mm FHCS	6



:: Lubes & Adhesives / Bodies & Decals

1105	FT Green Slime Shock Lube	1
1596	FT Locking Adhesive	1
1597	FT Tire Adhesive, Medium	1
5450	Silicone Diff Fluid 1,000CST	1
5451	Silicone Diff Fluid 2,000CST	1
5452	Silicone Diff Fluid 3,000CST	1
5444	Silicone Diff Fluid 4,000CST	1
5453	Silicone Diff Fluid 5,000CST	1
5446	Silicone Diff Fluid 6,000CST	1
5447	Silicone Diff Fluid 15,000CST	1
5454	Silicone Diff Fluid 7,000CST	1
5455	Silicone Diff Fluid 10,000CST	1
5456	Silicone Diff Fluid 20,000CST	1
5457	Silicone Diff Fluid 30,000CST	1
5458	Silicone Diff Fluid 60,000CST	1
5448	Silicone Diff Fluid 80,000CST	1
5459	Silicone Diff Fluid 100,000CST	1
5461	Silicone Diff Fluid 200,000CST	1
5463	Silicone Diff Fluid 500,000CST	1
5465	Silicone Diff Fluid 1,000,000CST	1
6588	Black Grease - 4cc	1
6591	S.Diff Lube - 4cc	1
6636	Silicone Grease - 4cc	1
6727	Servo Tape	2
7710	FT Foam Prefilter Treatment, 1 oz.	1



1596

726	Reedy 2016 Sticker Sheet	1
3816	American Bumper Sticker	1
3820	AE Logo Decal Sheet	1
3834	AE Blue Embossed Logo Sticker	2
9787	FT Chassis Protective Sheet	1
81324	RC8T3 Pro Line Body	1
81325	RC8T3/T3e Decal Sheet	1

:: Factory Team and Option Parts

25392	3mm Blue Locknut, Flanged (Blue Aluminum)	10
29213	Servo Wire Extension, 3"	1
31550	M3 Aluminum Lock Nut (Blue)	6
81176	RC8T3 Front Shock Shafts, Chrome (33.5mm)	2
81177	RC8T3 Rear Shock Shafts, Chrome (42.5mm)	2
89094	Nyloc Wheel Hex Nuts, Blue	2
89161	Steering Bearing Set	1
89229	Blue Countersunk Washer	10
89405	Nyloc Wheel Nuts (Silver)	4
89406	Nyloc Wheel Nuts (Black)	4

:: XP Electronics

29145	XP SC1300-BL Brushless ESC	1
29146	XP SC1300-DB Brushless Dual-Battery ESC	1
29166	XP DS1313 Digital Servo	1
29167	XP DS1015 Digital Servo	1
29168	XP DS1510MG Digital Servo	1
29209	Gear Set, DS1313 (3M, 1P)	1
29210	Gear Set, DS1015 (3M, 1P)	1
29211	Servo Case, DS1313/DS1015	1
29212	Accessory Pack, DS1313/DS1015	1
29214	TRS403-SSi 2.4GHz 4Ch Receiver	1
29215	XP2G 2.4GHz Radio System	1
29216	XP3G 2.4GHz Radio System	1
29253	XP DS1510 Metal Gear Set (4M)	1

:: Reedy Motors

929	1515-SL Brushless Motor 2000kV	1
978	Flat Sensor Wire 70mm	1
979	Flat Sensor Wire 110mm	1
980	Flat Sensor Wire 150mm	1
981	Flat Sensor Wire 200mm	1
982	Flat Sensor Wire 270mm	1
988	Sonic 1512 1800kV Competition Brushless Motor	1
989	Sonic 1512 2100kV Competition Brushless Motor	1
993	Sonic 1512 2400kV Competition Brushless Motor	1
994	Flat Sensor Wire 125mm	1
995	Flat Sensor Wire 175mm	1

:: Reedy Electronics

616	423-S AC 35W Compact Balance Charger	1
998	5.0mm 4S Balance Charge Lead	1
27100	RS1206 Digital HV Hi-Speed Competition Servo	1
27101	RT1508 Digital HV Hi-Torque Competition Servo	1
27102	RS1206 Servo Case Set w/screws	1
27103	RS1206 Servo Gear Set	1
27104	RT1508 Servo Case Set w/screws	1
27105	RT1508 Servo Gear Set	1
27106	RS1806A Digital HV Hi-Speed Alum. Comp. Servo	1
27107	RT2207A Digital HV Hi-Speed Alum. Comp. Servo	1
27120	RS1806A Servo Gear Set	1
27121	RT2207A Servo Gear Set	1
27122	Reedy Aluminum Servo Horn (Spline - 25)	1
27123	Reedy Aluminum Clamping Servo Horn (Spline - 25)	1
27200	1216-C2 Dual AC/DC Competition Battery Charger	1
27201	324-S AC LiPo/LiFe Compact Balance Charger	1
27220	7-in-1 Universal Charge Lead	1
27221	T-plug Charge Lead	1
27222	XH 2-6S Balance Board	1
29181	SC1000-BL Brushless ESC	1
29183	SC1000-BL Fan	1
29184	Reedy Brushless ESC On/Off Switch	1
29197	Reedy SC1000-DB Sensorless Brushless ESC	1

:: Reedy Batteries

302	AA Alkaline 1.5V (4)	1
304	LiPo Pro TX/RX Battery 1600mAh 7.4V Flat	1
305	LiFe Pro TX/RX Battery 1300mAh 6.6V Flat	1
315	LiPo Pro TX/RX Battery 2100mAh 7.4V Flat	1
318	LiPo 65C 6500mAh 14.8V w/T-plug	1
325	LiPo 55C 5200mAh 14.8V	1
637	LiPo TX Battery - M11X 2500mAh 7.4V	1
645	Low Profile Bullet Plug 5mm x 14mm (2)	1
646	Low Profile Bullet Plug 5mm x 14mm (10)	1
647	Silicone Wire 12AWG-Black (1m)	1
650	Shrink Tubing - 15pcs 4.5mm x 20mm	1
747	Silicone Wire 12AWG-Black (30m)	1
756	Wolfpack LiPo 4000mAh 35C 14.8V w/T-Plug (#733)	1
757	Wolfpack LiPo 5400mAh 30C 14.8V w/T-Plug (#741)	1
794	Low Profile Caged Bullet Plug 5mm x 14mm (2)	1
795	Low Profile Caged Bullet Plug 5mm x 14mm (10)	1

:: MyLaps Transponders

MLP10R078	MyLaps Hybrid (2-wire) Transponder	1
MLP10R120	MyLaps RC4 (3-wire) Transponder	1
MLP10R222	MyLaps Transponder Holder	1

:: Kicker

29269	KICKER KPw Wireless Speaker System, black	1
29270	KICKER KPw Wireless Speaker System, white	1

:: Qualifier Series Vehicles

7063	Pro SC 4x4 RTR, 1/10 Scale (ready-to-run)	1
7070	Pro Rally 4wd RTR, 1/10 Scale (ready-to-run)	1
20111	Rival Mini Monster Truck 1/18 Scale (ready-to-run)	1
20119	APEX Mini Touring 1/18 Scale (ready-to-run)	1
20510	RIVAL Electric Monster Truck RTR, 1/8 Scale (ready-to-run)	1
30112	APEX Touring V-Type, 1/10 Scale (ready-to-run)	1
30113	APEX Scion Racing FR-S 1/10 Scale (ready-to-run)	1
30113D	APEX Scion Racing FR-S Drift 1/10 Scale (ready-to-run)	1
30114	APEX Scion Racing tC 1/10 Scale (ready-to-run)	1
30118	APEX Lexus RC F, 1/10 Scale (ready-to-run)	1

:: 1/18 Kits and RTR's

20121	SC18 RTR Brushless (ready-to-run)	1
-------	-----------------------------------	---

:: 1/12, 1/10 Kits and RTR's

4020	FT 12R5.2 Kit	1
7028	SC10 Pro Comp Race Truck RTR (ready-to-run)	1
7030	SC10 KMC Wheels Race Truck RTR (ready-to-run)	1
7038	FT SC10.2 Kit	1
7039	RC10T4.2 RS RTR 2.4GHz Brushless (ready-to-run)	1
7046	SC10 RS RTR, Lucas Oil (ready-to-run)	1
7049	SC10 RS RTR, Rockstar/Makita (ready-to-run)	1
9042	RC10B4.2 RS RTR 2.4GHz Brushless (ready-to-run)	1
9050	SC10B RS RTR (ready-to-run)	1
9063	FT B44.3 4WD Buggy Kit	1
30101	TC4 Club Racer 4WD Touring Car Race Roller	1
30109	FT TC6.2 Kit	1
30120	FT TC7 Kit	1
70001	RC10T5M Team Kit	1
90000	RC10B5M Factory Lite	1
90001	RC10B5 Team Kit	1
90002	RC10B5M Champions Edition Kit	1

:: 1/8 Kits and RTR's

20502	MGT 8.0 Nitro RTR (ready-to-run)	1
20504	Limited Edition MGT 8.0 Nitro RTR, w/flag body (ready-to-run)	1
80908	RC8.2e Electric Buggy RTR (ready-to-run)	1
80909	RC8.2RS Nitro Buggy RTR (ready-to-run)	1
80912	RC8T Championship Edition	1
80914	RC8B3 Team Kit - Nitro	1
80916	RC8B3e Team Kit - Electric	1
80917	RC8T3 Team Kit - Nitro	1
80918	RC8T3e Team Kit - Electric	1

:: RePlay Cameras

RP005	Replay XD PrimeX Camera System	1
RP021	Replay XD1080 Lens Bezel Kit	1
RP022	Replay XD1080 Clear Lens Cover	1
RP023	Replay XD1080 Lens Bezel & Rear Cap O-Ring	1
RP029	Replay XD1080 HDMI to Mini-HDMI	1
RP030	Replay XD1080 Mini 8-pin USB Charge Data Cable	1
RP032	USB DC Car Charger 1A Stubby	1
RP034	Micro SDHC USB Reader	1
RP036	3M VHB 4991 Mount Adhesive for SnapTray	1
RP042	Replay XD Suction Cup Short Arm Base	1
RP043	Replay XD Skateboard Mount	1
RP044	Replay XD VHB SnapTray, Convex	1
RP045	Replay XD VHB SnapTray, Flat	1
RP046	Au Plug for Universal DC Wall Charger	1
RP047	Eu Plug for Universal DC Wall Charger	1
RP048	Uk Plug for Universal DC Wall Charger	1
RP049	Universal USB DC Wall Charger 1A	1
RP050	Au Plug for Uni DC Wall Charger	1
RP054	Replay ReView Field Monitor	1
RP055	Replay PrimeX Lens 5 pack	1
RP056	Replay PrimeX HDMI Cable	1
RP057	Replay PrimeX Deep Dive Waterproof Case	1
RP058	Replay PrimeX Heim Lock Mount	1
RP059	Replay PrimeX Low Boy Mount	1
RP060	Replay PrimeX Tilt Mount	1

:: Apparel

SP13**	AE Lite Jacket - Black - (S, M, L, XL, 2XL)	1
SP14**	AE 2015 Worlds T-Shirt - Blue (S, M, L, XL-5XL)	1
SP15**	AE 2015 Worlds T-Shirt - Black (S, M, L, XL-5XL)	1
SP16**	AE 2015 Worlds Hoodie - Black (S, M, L, XL-3XL)	1
SP17**	AE INT'L T-Shirt - Black (S, M, L, XL-5XL)	1
SP18**	AE INT'L T-Shirt - White (S, M, L, XL-5XL)	1
SP19**	AE INT'L Hoodie - Black (S, M, L, XL-3XL)	1
SP20	AE Patch Trucker Hat	1
SP22**	Reedy Vintage '81 T-Shirt - Blue (S, M, L, 2XL)	1
SP23**	AE Splash T-shirt - Black (S, M, L, XL-5XL)	1
SP24**	AE Splash T-shirt - Blue (S, M, L, XL-5XL)	1
SP32**	AE Kids T-shirt - Blue (S, M, L)	1
SP38	Reedy Trucker Hat	1
SP71**	AE Winter Jacket - Black (S, M, L, XL, 2XL)	1
SP84**	Reedy 3D T-Shirt, Black (S, M, L, XL-3XL)	1
SP87**	AE 2013 Zip Hoodie (S, M, L, XL-3XL)	1
SP90**	AE Retro T-shirt, Blue (S, M, L, XL-5XL)	1
SP91**	AE Retro T-shirt, Black (S, M, L, XL-5XL)	1
SP92**	AE Retro T-shirt, White (S, M, L, XL-5XL)	1
SP93**	AE 2013 Worlds T-shirt - Blue (S, 3XL, 5XL)	1
SP96**	AE Womens Retro - Pink (S, M, L, XL)	1
SP110*	Reedy R-Powered T-Shirt - Black (S, M, L, XL-3XL)	1
SP111*	Reedy W15 Sweatshirt - Black (S, M, L, XL-3XL)	1
SP421S	AE 2012 Hat, Black, Flat Bill, S/M	1
SP421L	AE 2012 Hat, Black, Flat Bill, L/XL	1
SP422S	AE 2012 Hat, Black, Curved Bill, S/M	1
SP422L	AE 2012 Hat, Black, Curved Bill, L/XL	1
SP423S	AE 2012 Hat, White, Flat Bill, S/M	1
SP423L	AE 2012 Hat, White, Flat Bill, L/XL	1
SP424S	AE 2012 Hat, White, Curved Bill, S/M	1
SP424L	AE 2012 Hat, White, Curved Bill, L/XL	1
SP425	FT Fluid Carrier	1
715	Reedy 2009 Track Banner	1
110684	Team Associated Track Banner	1
110685	Team Associated Cloth Banner	1

** Use part number plus the desired size when ordering!

:: Tools

1111	FT Turnbuckle Wrench	1
1112	FT 4mm Turnbuckle Wrench	1
1449	Offroad Ride Height Gauge	1
1500	FT 1.5mm Hex Driver	1
1501	FT 2.0mm Hex Driver	1
1502	FT 2.0mm Ball Hex Driver	1
1503	FT 2.5mm Hex Driver	1
1504	FT 2.5mm Ball Hex Driver	1
1505	FT 3.0mm Hex Driver	1
1506	FT 5.0mm Hex Driver	1
1507	FT 5.5mm Nut Driver	1
1508	FT 7.0mm Nut Driver	1
1510	FT 1.5mm Replacement Tip	1
1511	FT 2.0mm Replacement Tip	1
1512	FT 2.0mm Ball Replacement Tip	1
1513	FT 2.5mm Replacement Tip	1
1514	FT 2.5mm Ball Replacement Tip	1
1515	FT 3.0mm Replacement Tip	1
1518	FT Hex Driver Tool Set (1.5mm, 2.0mm, 2.5mm)	1
1519	FT Hex/Nut Driver Tool Set (1.5mm Hex, 2.0mm Hex, 2.5mm Hex, 5.5mm Nut, 7.0mm Nut)	1
1541	FT Hex Driver Set, (7 pcs)	1
1545	FT 5/64" Blue Hex Driver	1
1546	FT 3/32" Gold Hex Driver	1
1554	FT Silver Spring Hook Tool	1
1564	FT 5.5mm Red Nut Driver	1
1567	FT 8mm Gold Nut Driver	1
1568	FT 5.5mm Short Nut Driver	1
1569	FT 7mm Nut Driver, T-Handle	1
1570	FT 7.0mm Short Nut Driver	1
1590	FT 3/32" Gold Ball Hex Driver	1
1592	FT Ball Hex Driver Set, (3 pcs)	1
1655	FT 8-Piece 1/4" Hex Drive Set	1
1656	FT 1/4" Hex Drive Handle, without tips	1
1657	FT 1/4" Hex Drive .050" Tip	1
1658	FT 1/4" Hex Drive 1/16" Tip	1
1659	FT 1/4" Hex Drive 5/64" - 2.0mm Tip	1
1660	FT 1/4" Hex Drive 3/32" Tip	1
1661	FT 1/4" Hex Drive 1.5mm Tip	1
1662	FT 1/4" Hex Drive 2.5mm Tip	1
1663	FT 1/4" Hex Drive 3/16" Nut Driver Tip	1
1664	FT 1/4" Hex Drive 1/4" Nut Driver Tip	1
1665	FT 1/4" Hex Drive 11/32" Nut Driver Tip	1
1666	FT 1/4" Hex Drive 5.5mm Nut Driver Tip	1
1667	FT 1/4" Hex Drive 7.0mm Nut Driver Tip	1
1668	FT 1/4" Hex Drive 8.0mm Nut Driver Tip	1
1669	FT 1/4" Hex Drive 5/64" - 2.0mm Ball End Tip	1
1670	FT 1/4" Hex Drive 3/32" Ball End Tip	1
1671	FT 1/4" Hex Drive Standard Screwdriver Tip	1
1672	FT 1/4" Hex Drive Phillips Screwdriver Tip	1
1673	FT 1/4" Hex Drive 2.5mm Ball End Tip	1
1674	FT 1/4" 5 Piece Power Tool Tips Set (5/64-2.0mm, 1.5mm, 2.5mm, 5/64"- 2.0mm ball, 2.5mm ball)	1
1675	FT Shock Shaft Pliers	1
1719	FT Camber + Track Width Tool	1
1737	FT Body Scissors	1
3718	12 Inch Nylon Wire Ties	12
3719	6 Inch Nylon Wire Ties	12
3720	8 Inch Nylon Wire Ties	12
3987	FT Droop Gauge	1
7709	4 Inch Nylon Wire Ties	12
89240	FT RC8 Turnbuckle Wrench	1
89358	16mm Big Bore Shock Tools	1
91107	13mm Shock Tools	1

Associated Electrics, Inc.
26021 Commerce Drive
Lake Forest, CA 92630-8853 USA
<http://www.TeamAssociated.com>
<http://www.RC10.com>
<http://twitter/TeamAssociated>
<http://bit.ly/AEonFacebook>

call: (949) 544-7500
fax: (949) 544-7501

Check out the following web sites for all of our electric kits, current products, new releases, setup help, tips, and racing info!

www.TeamAssociated.com - www.RC10.com



**Associated Electrics, Inc.
26021 Commercentre Dr.
Lake Forest, CA 92630 USA**

<http://www.TeamAssociated.com>

<https://www.RC10.com>

https://twitter/Team_Associated

<https://bit.ly/AEonFacebook>

call: (949) 544-7500 - fax: (949) 544-7501

**Check out the following web sites for all of our kits,
current products, new releases, setup help, tips, and racing info!
www.TeamAssociated.com - www.RC10.com**